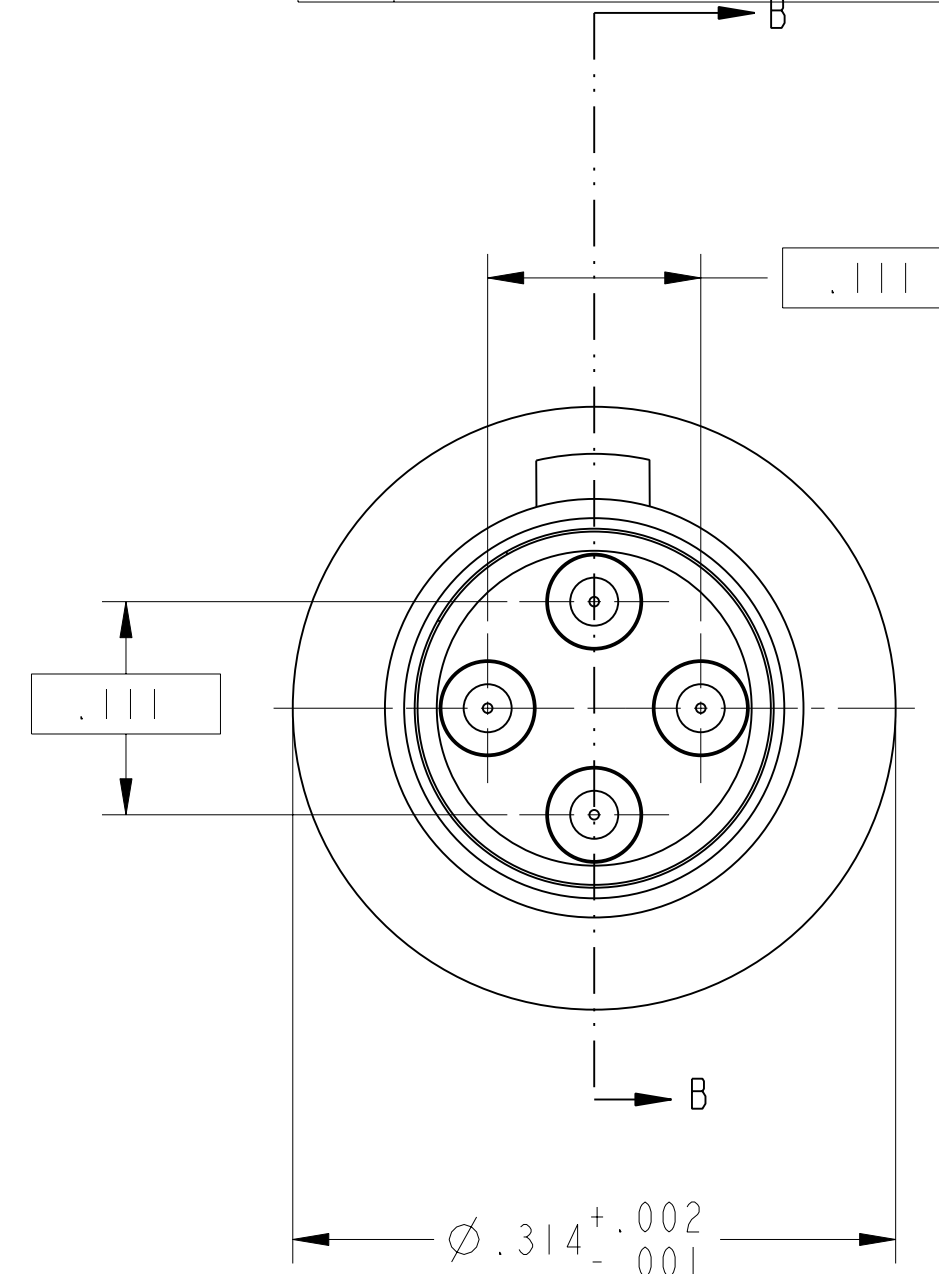
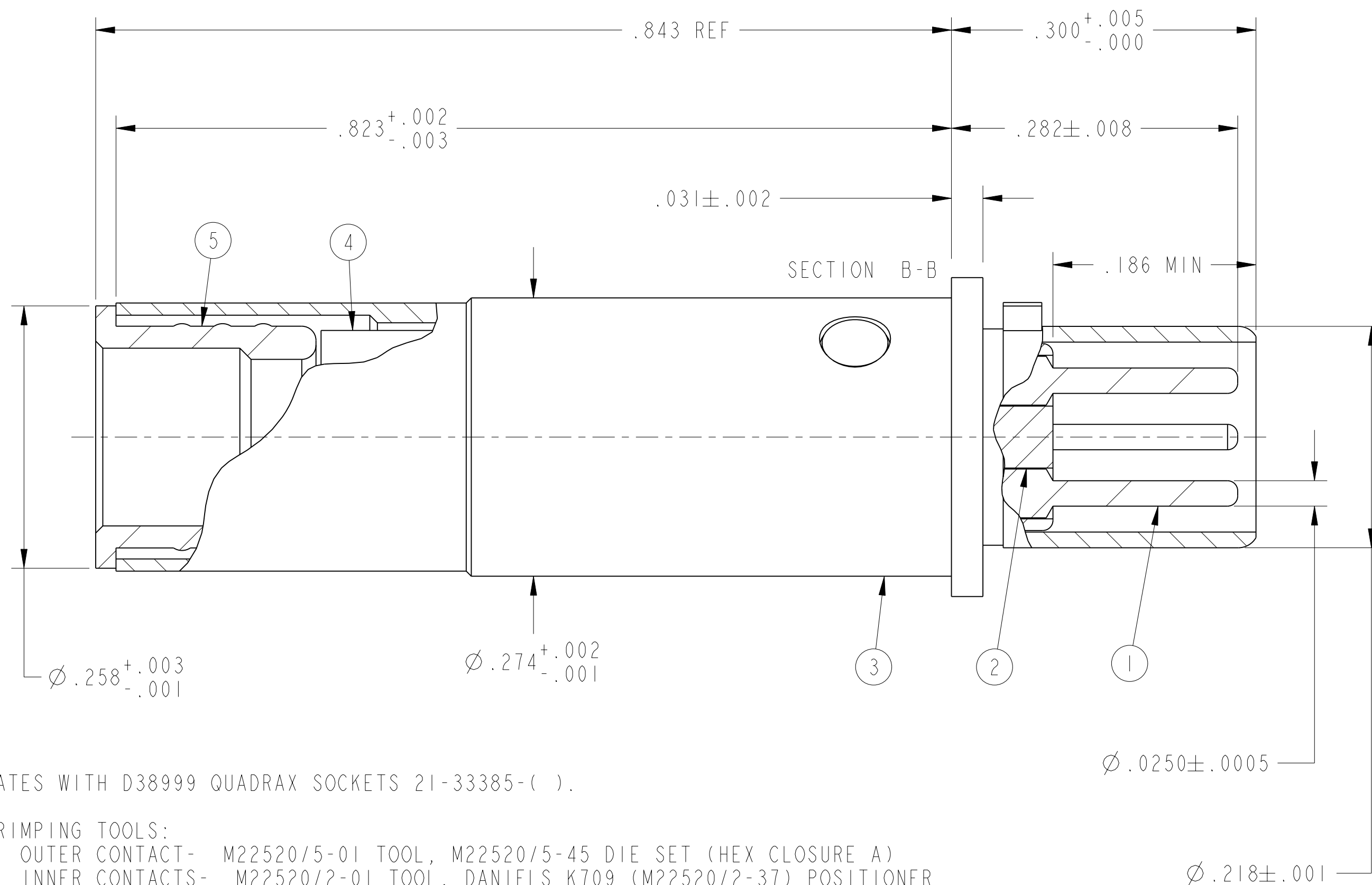


REV. D	SHEET 1 OF 1	DOCUMENT NO. 21-33384-21
REVISIONS		
LTR	DESCRIPTION	DATE
B	MODIFIED, CNR INITIAL RELEASE	
C	(CL11) SEE ENG CHG ECN: 96326	JHEATH 5/6/05
D	(CL11) VIEW CHANGE ECN: 97120	JHEATH 6/13/05



- MATES WITH D38999 QUADRAX SOCKETS 21-33385-( ).
- CRIMPING TOOLS:  
 OUTER CONTACT- M22520/5-01 TOOL, M22520/5-45 DIE SET (HEX CLOSURE A)  
 INNER CONTACTS- M22520/2-01 TOOL, DANIELS K709 (M22520/2-37) POSITIONER
- TERMINATES QUADRAX CABLE DRAKA FILECA F4703-3 & F4704-4 (100 OHM) OR EQUIVALENT.
- DRAWING ILLUSTRATES FINAL ASSEMBLY. CONTACT COMPONENTS ARE SHIPPED UNASSEMBLED. INSTALLATION INSTRUCTIONS & PIGGYBACK GROMMET SEAL (NOT ILLUSTRATED) ARE PACKAGED WITH EACH ASSEMBLY. PACKAGE PER PRODUCTION PROCESS SHEET.
- MATERIALS:  
 OUTER & INNER CONTACTS- BERYLLIUM COPPER PER ASTM-B-196  
 SHIELD FERRULE- BRASS PER ASTM B453 OR QQ-B-626  
 FRONT INSULATOR & SPACER INSULATOR- TFE RESIN PER AMS 3651
- FINISH:  
 GOLD PLATED PER MIL-G-45204 TYPE II, GRADE C, CLASS I (.000050 MIN)  
 OVER NICKEL PLATE PER QQ-N-290 (.000050 MIN).
- CONTACTS MEET THE ENVELOPE DIMENSIONAL REQUIREMENTS OF M39029/90.

NOTES:

THE USE OF THIS DOCUMENT IS UNLIMITED. HOWEVER, DOCUMENTS REFERENCED HEREON MAY CONTAIN LIMITED RIGHTS DATA.

N/A	PRO/ENGINEER INFORMATION
N/A	Pro/e Model Used: QUAD-TV_8P_ASY_RIV-51.ASEM Drawing Name: 21-33384-21_8P_TV_QUAD_ASY_RIV
NEXT ASSEMBLY	

UNLESS OTHERWISE SPECIFIED

LINEAR DIMENSIONS ARE IN INCHES  
 TOLERANCES:  
 .XXXX = ±.0005 ANGLES= ±2°  
 .XXX = ±.010  
 .XX = ±.03  
 .X = ±.1

DIM. & TOL. PER ASME Y14.5M;  
 DRM PER MIL-DTL-31000;  
 OTHER Amphenol Sds. PER 9-3800

LEGENDS:  
 = FLAG NOTE CALL OUT REFERENCE ONLY

SPECIFICATIONS

MATERIAL SPEC.  
N/A

PROCESS SPEC.  
N/A

POS	QTY	PART NUMBER	DESCRIPTION	NOTE
7	1	L-2119-A	INSTALLATION INSTRUCTIONS	4
6	1	21-33321-5	PIGGYBACK GROMMET SEAL	4
5	1	21-33384-26	SHIELD FERRULE	
4	1	21-33382-5 OR 21-33382-25	SPACER INSULATOR	
3	1	21-33384-44	OUTER CONTACT	
2	1	21-33384-43	FRONT INSULATOR	
1	4	21-33384-22	INNER CONTACT	

APPROVALS		DATE
PREPARED BY	LRATCHFORD	14-Mar-03
ENGINEER IN CHARGE	LRATCHFORD	
DESIGN MANAGER	ADAVIS	
DESIGN ACTIVITY GROUP	MIL AERO	
THIRD ANGLE PROJECTION		

PARTS LIST

**AMPHENOL CORPORATION**  
 40-60 DELAWARE AVENUE  
 SIDNEY, N.Y. 13858

**CONTACT, PIN, QUADRAX,  
 ELECTRICAL CONNECTOR,  
 TYPE D38999 I & III**

SIZE <b>C</b>	CAGE CODE <b>77820</b>	DOCUMENT NO. <b>21-33384-21</b>	REV. <b>D</b>
------------------	---------------------------	------------------------------------	------------------

SCALE: 10.0 REF: 21-33384-51 SHEET 1 OF 1

DOCUMENT NO. 21-33384-21  
 SHEET 1 OF 1  
 REV. D  
 C  
 B  
 A

REV. D  
 SHEET 1 OF 1  
 DOCUMENT NO. 21-33384-21