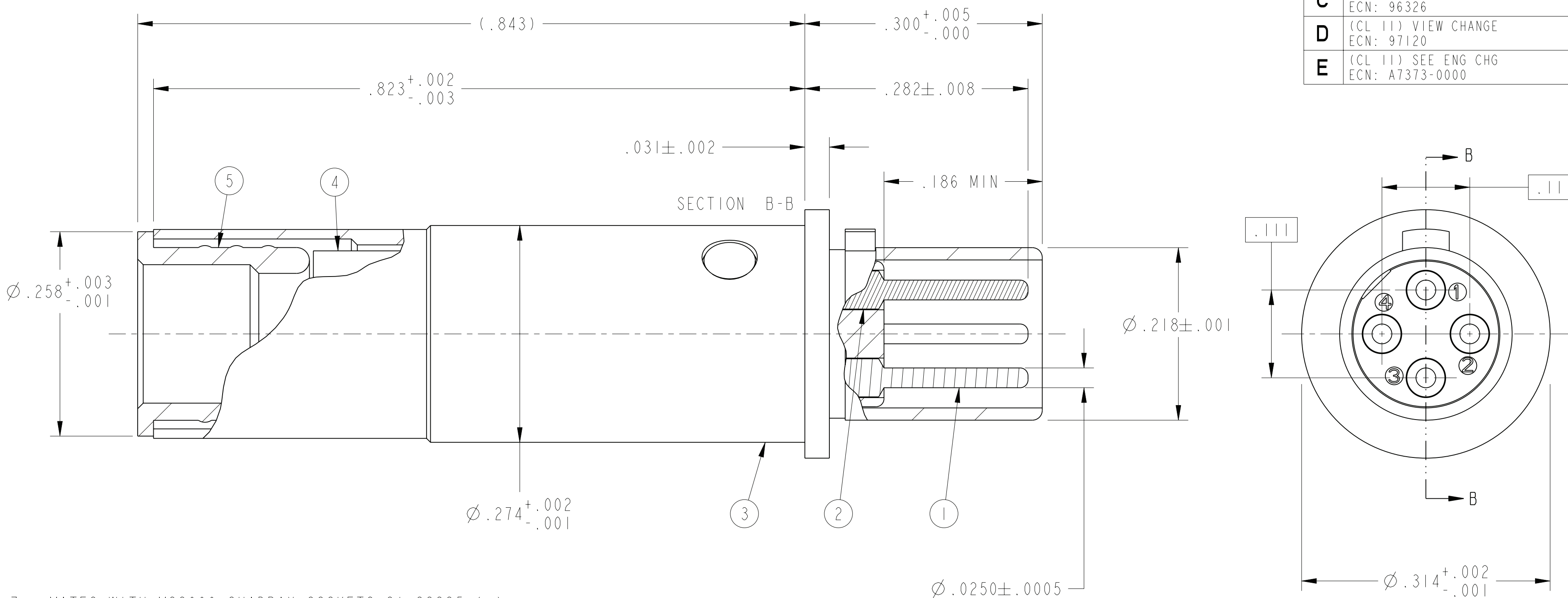


REV. E	SHEET 1 OF 1	21-33384-51
REVISIONS		
LTR	DESCRIPTION	DATE
B	MODIFIED INITIAL RELEASE	3/20/03
C	(CL 11) SEE ENG CHG ECN: 96326	JHEATH 5/6/05
D	(CL 11) VIEW CHANGE ECN: 97120	JHEATH 6/13/05
E	(CL 11) SEE ENG CHG ECN: A7373-0000	1/12/10



- MATES WITH M38999 QUADRAX SOCKETS 21-33385-().
- CRIMPING TOOLS:
 OUTER CONTACT- M22520/5-01 TOOL, M22520/5-45 DIE SET (HEX CLOSURE A)
 INNER CONTACTS- M22520/2-01 TOOL, DANIELS K709 (M22520/2-37) POSITIONER
- TERMINATES QUADRAX CABLE TENSOLITE NF24Q100 (100 OHM) OR EQUIVALENT.
- DRAWING ILLUSTRATES FINAL ASSEMBLY. CONTACT COMPONENTS ARE SHIPPED UNASSEMBLED. INSTALLATION INSTRUCTIONS & PIGGYBACK GROMMET SEAL (NOT ILLUSTRATED) ARE PACKAGED WITH EACH ASSEMBLY. PACKAGE PER PRODUCTION PROCESS SHEET.
- MATERIALS:
 OUTER & INNER CONTACTS- BERYLLIUM COPPER PER ASTM-B-196
 SHIELD FERRULE- BRASS PER ASTM B453 OR QQ-B-626
 FRONT INSULATOR & SPACER INSULATOR- PTFE RESIN PER AMS 3651 OR PFA 340 OR ASTM D1710
- FINISH:
 GOLD PLATED PER ASTM B488, TYPE II, CODE C, CLASS 1.27 (.000050 MIN)
 OVER NICKEL PLATE PER AMS-QQ-N-290 (.000050 MIN).
- CONTACTS MEET THE ENVELOPE DIMENSIONAL REQUIREMENTS OF M39029/90.

NOTES:

THE USE OF THIS DOCUMENT IS UNLIMITED. HOWEVER, DOCUMENTS REFERENCED HEREON MAY CONTAIN LIMITED RIGHTS DATA.

N/A NEXT ASSEMBLY

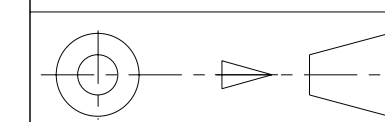
PRO/ENGINEER INFORMATION
 Pro/e Model Used:
 21-033384-051.ASSEM
 Drawing Name:
 21-33384-51

UNLESS OTHERWISE SPECIFIED
 LINEAR DIMENSIONS ARE IN INCHES
 TOLERANCES:
 .XXXX = ±.0005 ANGLES= ±2°
 .XXX = ±.010
 .XX = ±.03
 .X = ±.1
 DIM. & TOL. PER ASME Y14.5M;
 DRM PER MIL-DTL-31000;
 OTHER Amphenol Stds. PER 9-3800
 LEGENDS:
 =FLAG NOTE CALL OUT REFERENCE ONLY

SPECIFICATIONS
 MATERIAL SPEC.
 N/A
 PROCESS SPEC.
 N/A

POS	QTY	PART NUMBER	DESCRIPTION	NOTE
7	1	L-2119-D	INSTALLATION INSTRUCTIONS	4
6	1	21-33321-5	PIGGYBACK GROMMET SEAL	4
5	1	21-33384-56	SHIELD FERRULE	
4	1	21-33382-5 OR 21-33382-25	SPACER INSULATOR	
3	1	21-33384-44	OUTER CONTACT	
2	1	21-33384-43	FRONT INSULATOR	
1	4	21-33384-22	INNER CONTACT	

APPROVALS	DATE
PREPARED BY: LRATCHFORD	
ENGINEER IN CHARGE: LRATCHFORD	14-Mar-03
DESIGN MANAGER: ADAVIS	
DESIGN ACTIVITY GROUP: MIL AERO	



AMPHENOL CORPORATION
 40-60 DELAWARE AVENUE
 SIDNEY, NY 13858

**CONTACT, PIN, QUADRAX,
 ELECTRICAL CONNECTOR,
 TYPE D38999 I & III**

SIZE C	CAGE CODE 77820	DOCUMENT NO. 21-33384-51	REV. E
SCALE: 10:0	REF. N/A	SHEET 1 OF 1	

DOCUMENT NO. 21-33384-51
 SHEET 1 OF 1
 REV. E
 RELEASE STATE Released
 VERSION 0

FORMAT: C-0-E-1

DOCUMENT NO. 21-33384-51

SHEET 1 OF 1

REV. E

RELEASE STATE Released

VERSION 0