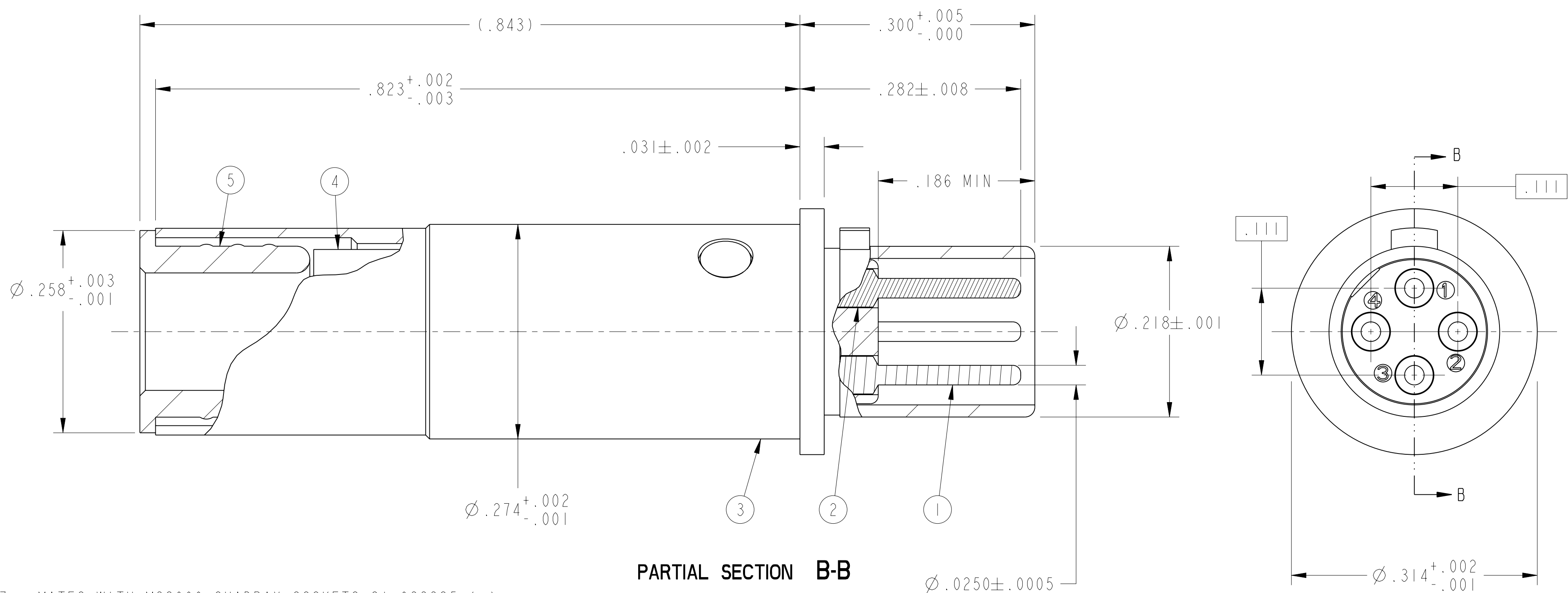


REV. A	SHEET 1 OF 1	DOCUMENT NO. 21-033384-101
REVISIONS		
LTR	DESCRIPTION	DATE
A	INITIAL RELEASE	---

DOCUMENT NO. 21-033384-101
 SHEET 1 OF 1
 REV. A
 C
 B
 A



PARTIAL SECTION B-B

7. MATES WITH M38999 QUADRAX SOCKETS 21-033385-().
6. CRIMPING TOOLS:
 OUTER CONTACT- M22520/5-01 TOOL, M22520/5-45 DIE SET (HEX CLOSURE A)
 INNER CONTACTS- M22520/2-01 TOOL, DANIELS K709 (M22520/2-37) POSITIONER
5. TERMINATES QUADRAX CABLE TENSOLITE 28433/02171LX-4 (90 OHM) OR EQUIVALENT.
4. DRAWING ILLUSTRATES FINAL ASSEMBLY. CONTACT COMPONENTS ARE SHIPPED UNASSEMBLED. INSTALLATION INSTRUCTIONS & PIGGYBACK GROMMET SEAL (NOT ILLUSTRATED) ARE PACKAGED WITH EACH ASSEMBLY. PACKAGE PER PRODUCTION PROCESS SHEET.
3. MATERIALS:
 OUTER & INNER CONTACTS- BERYLLIUM COPPER PER ASTM-B-196
 SHIELD FERRULE- BRASS PER ASTM B453 OR QQ-B-626
 FRONT INSULATOR & SPACER INSULATOR- PTFE RESIN PER AMS 3651 OR PFA 340 OR ASTM D1710
2. FINISH:
 GOLD PLATED PER ASTM B488, TYPE II, CODE C, CLASS 1.27 (.000050 MIN)
 OVER NICKEL PLATE PER AMS-QQ-N-290 (.000050 MIN).
1. CONTACTS MEET THE ENVELOPE DIMENSIONAL REQUIREMENTS OF M39029/90.

NOTES:

THE USE OF THIS DOCUMENT IS UNLIMITED. HOWEVER, DOCUMENTS REFERENCED HEREON MAY CONTAIN LIMITED RIGHTS DATA.

N/A
NEXT ASSEMBLY

PRO/ENGINEER INFORMATION
 Pro/e Model Used:
 21-033384-101.ASSEM
 Drawing Name:
 21-033384-101

UNLESS OTHERWISE SPECIFIED
 LINEAR DIMENSIONS ARE IN INCHES
 TOLERANCES:
 .XXXX = ±.0005 ANGLES= ±2°
 .XXX = ±.010
 .XX = ±.03
 .X = ±.1
 DIM. & TOL. PER ASME Y14.5M;
 DRM PER MIL-DTL-31000;
 OTHER Amphenol Stds. PER 9-3800
 LEGENDS:
 =FLAG NOTE CALL OUT REFERENCE ONLY

SPECIFICATIONS
 MATERIAL SPEC.
 N/A
 PROCESS SPEC.
 N/A

POS	QTY	PART NUMBER	DESCRIPTION	NOTE
7	1	L-2119-EK	INSTALLATION INSTRUCTIONS	4
6	1	21-033321-005	PIGGYBACK GROMMET SEAL	4
5	1	21-033384-156	SHIELD FERRULE	
4	1	21-033382-005 OR 21-033382-025	SPACER INSULATOR	
3	1	21-033384-044	OUTER CONTACT	
2	1	21-033384-043	FRONT INSULATOR	
1	4	21-033384-022	INNER CONTACT	

APPROVALS		DATE
PREPARED BY	D. PHILLIPS	24-Sep-12
ENGINEER IN CHARGE	D. PHILLIPS	
DESIGN MANAGER	E. HICKEY	
DESIGN ACTIVITY GROUP	C-1	
THIRD ANGLE PROJECTION		

PARTS LIST

AMPHENOL CORPORATION
 40-60 DELAWARE AVENUE
 SIDNEY, N.Y. 13858

**CONTACT, PIN, QUADRAX,
 ELECTRICAL CONNECTOR,
 TYPE D38999 I & III**

SIZE C	CAGE CODE 77820	DOCUMENT NO. 21-033384-101	REV. A
SCALE: 10.0		REF. 21-33384-51	SHEET 1 OF 1

DOCUMENT NO. 21-033384-101
 SHEET 1 OF 1
 REV. A
 VERSION 3
 Eng. PDM Information For Reference Only