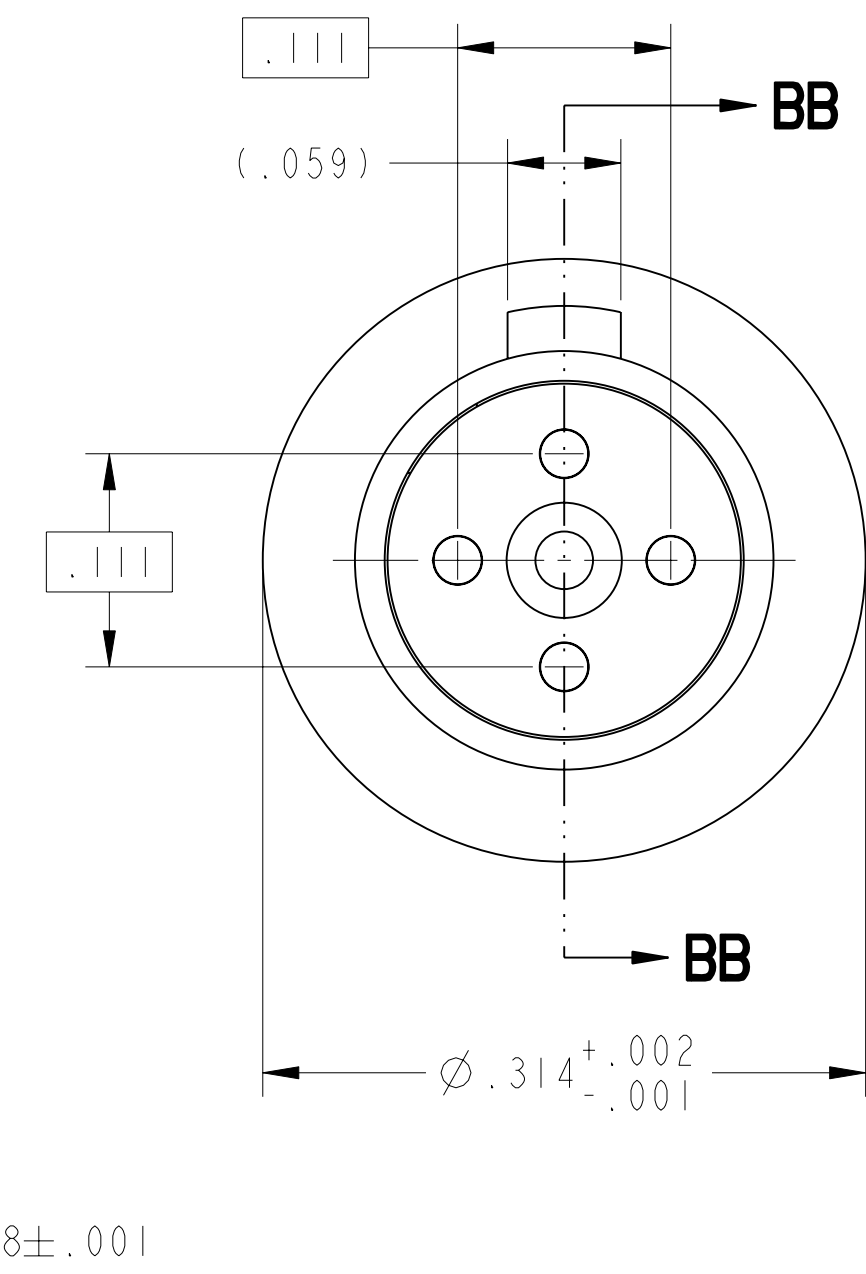
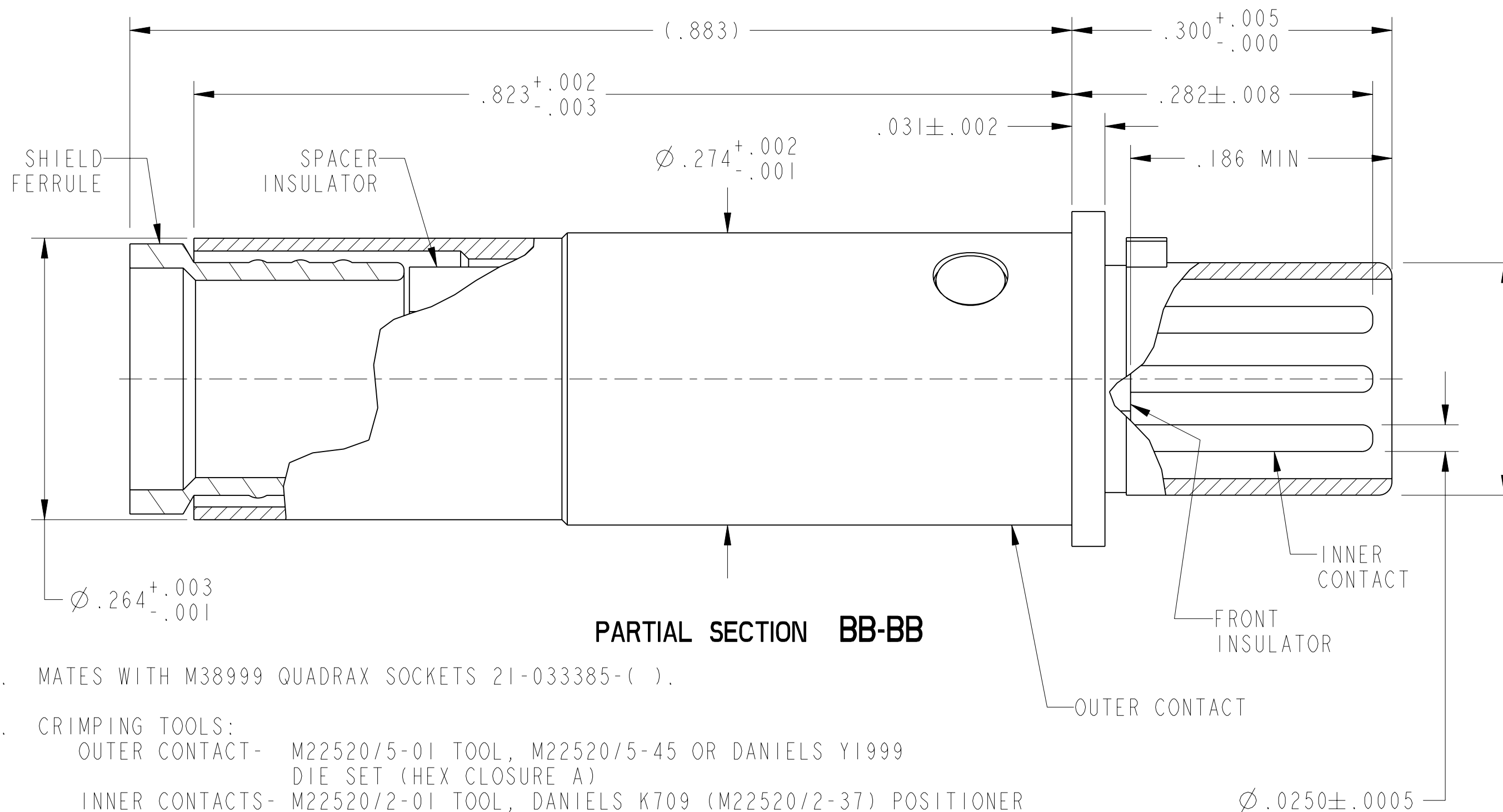


REV. A	SHEET 1 OF 1	DOCUMENT NO. 21-033384-221
REVISIONS M		
LTR	DESCRIPTION	DATE
A	INITIAL RELEASE	---



7. MATES WITH M38999 QUADRAX SOCKETS 21-033385-( ).
6. CRIMPING TOOLS:  
 OUTER CONTACT- M22520/5-01 TOOL, M22520/5-45 OR DANIELS Y1999 DIE SET (HEX CLOSURE A)  
 INNER CONTACTS- M22520/2-01 TOOL, DANIELS K709 (M22520/2-37) POSITIONER
5. TERMINATES QUADRAX CABLE JSFY02-1 & JSFY18-2 (110 OHM) OR EQUIVALENT.
4. DRAWING ILLUSTRATES FINAL ASSEMBLY. CONTACT COMPONENTS ARE SHIPPED UNASSEMBLED. INSTALLATION INSTRUCTIONS & PIGGYBACK GROMMET SEAL (NOT ILLUSTRATED) ARE PACKAGED WITH EACH ASSEMBLY. PACKAGE PER PRODUCTION PROCESS SHEET.
3. MATERIALS:  
 OUTER & INNER CONTACTS- BERYLLIUM COPPER PER ASTM-B-196  
 SHIELD FERRULE- BRASS PER ASTM B453 OR QQ-B-626  
 FRONT INSULATOR & SPACER INSULATOR - PTFE RESIN PER AMS 3651 OR PFA 340 OR ASTM D1710
2. FINISH:  
 GOLD PLATED IN ACCORDANCE WITH SAE AS39029  
 OVER NICKEL PLATE PER AMS-QQ-N-290 (.000050 MIN).
1. CONTACTS MEET THE ENVELOPE DIMENSIONAL REQUIREMENTS OF M39029/90.

NOTES:

THE USE OF THIS DOCUMENT IS UNLIMITED. HOWEVER, DOCUMENTS REFERENCED HEREON MAY CONTAIN LIMITED RIGHTS DATA.

N/A	NEXT ASSEMBLY
-----	---------------

PRO/ENGINEER INFORMATION
Pro/e Model Used:
21-033384-221.ASSEM
Drawing Name:
21-033384-221

UNLESS OTHERWISE SPECIFIED	SPECIFICATIONS
LINER DIMENSIONS ARE IN INCHES TOLERANCES: .XXXX = ±.0005 ANGLES= ±2° .XXX = ±.010 .XX = ±.03 .X = ±.1	MATERIAL SPEC. N/A
DIM. & TOL. PER ASME Y14.5M; DRM PER MIL-DTL-31000; OTHER Amphenol Stds. PER 9-3800	PROCESS SPEC. N/A
LEGENDS: =FLAG NOTE CALL OUT REFERENCE ONLY	

POS	QTY	PART NUMBER	DESCRIPTION	NOTE
PARTS LIST				
AMPHENOL CORPORATION 40-60 DELAWARE AVENUE SIDNEY, N.Y. 13858				
CONTACT, PIN, QUADRAX, ELECTRICAL CONNECTOR, TYPE M38999 I & III				
APPROVALS	DATE			
PREPARED BY RATCHFORD				
ENGINEER IN CHARGE D. PHILLIPS	11-Feb-15			
DESIGN MANAGER E. HICKEY				
DESIGN ACTIVITY GROUP CI				
THIRD ANGLE PROJECTION				

SIZE C	CAGE CODE 77820	DOCUMENT NO. 21-033384-221	REV. A
SCALE: 10:0	REF. 21-033384-301	SHEET 1 OF 1	

21-033384-221 DOCUMENT NO. SHEET 1 OF 1 REV. A

21-033384-221 DOCUMENT NO. SHEET 1 OF 1 REV. A