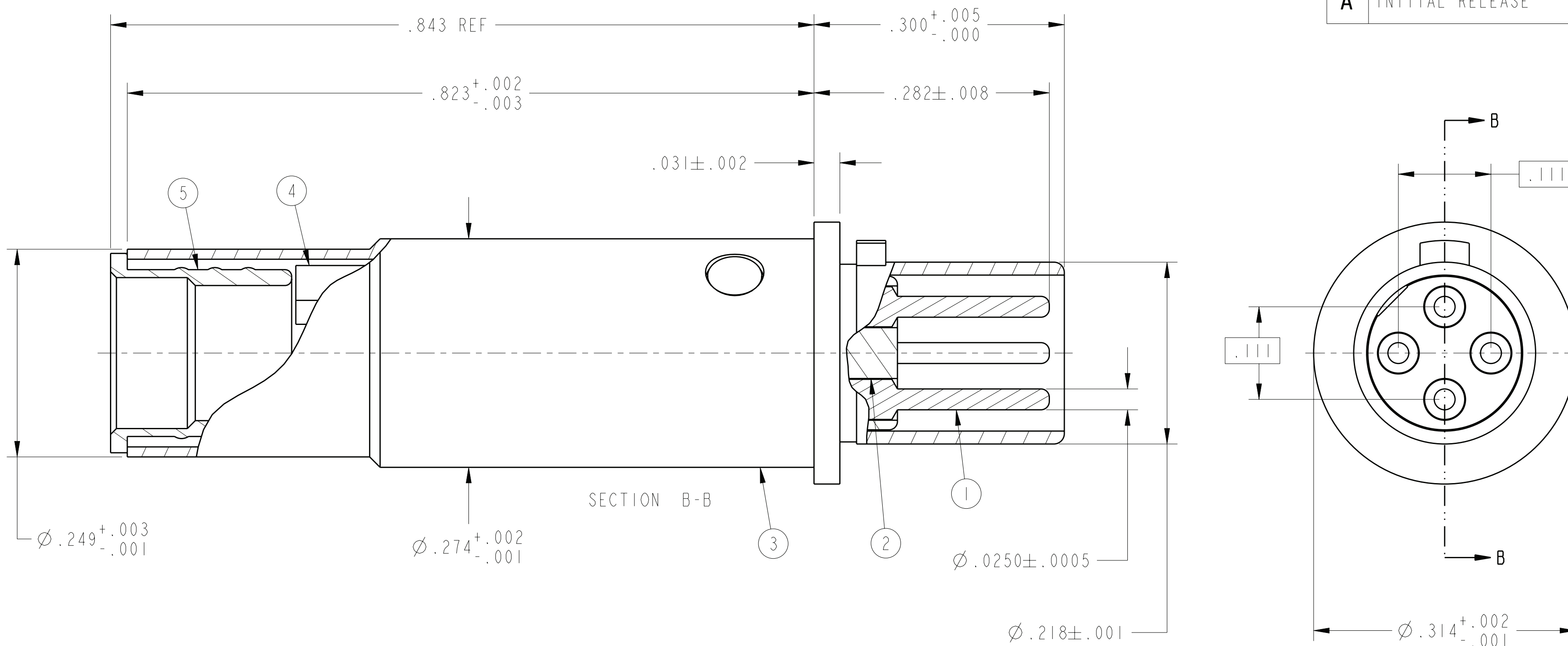


REV. A	SHEET 1 OF 1	21-033384-281
REVISIONS		
LTR	DESCRIPTION	DATE
A	INITIAL RELEASE	



7. MATES WITH EN3155-075 QUADRAX SOCKET 21-033385-281 & OTHERS.
6. CRIMPING TOOLS:
 OUTER CONTACT- M22520/5-01 TOOL, M22520/5-45 DIE SET (HEX CLOSURE B)
 INNER CONTACTS- M22520/2-01 TOOL, DANIELS K709 (M22520/2-37) OR EN4008-003 POSITIONER
5. TERMINATES QUADRAX CABLE ABS1503KD24 (100 OHM) OR EQUIVALENT.
4. DRAWING ILLUSTRATES FINAL ASSEMBLY. CONTACT COMPONENTS ARE SHIPPED UNASSEMBLED. INSTALLATION INSTRUCTIONS & PIGGYBACK GROMMET SEAL (NOT ILLUSTRATED) ARE PACKAGED WITH EACH ASSEMBLY. PACKAGE PER PRODUCTION PROCESS SHEET.
3. MATERIALS:
 OUTER & INNER CONTACTS- COPPER ALLOY
 SHIELD FERRULE- COPPER ALLOY
 FRONT INSULATOR & SPACER INSULATOR- PTFE RESIN OR EQUIVALENT
2. FINISH:
 GOLD PLATED PER MIL-G-45204 TYPE II, GRADE C, CLASS I (.000050 MIN)
 OVER NICKEL PLATE PER QQ-N-290 (.000050 MIN).
1. CONTACT MEETS THE REQUIREMENTS OF EN3155-074:2009(E).

NOTES:

THE USE OF THIS DOCUMENT IS UNLIMITED. HOWEVER, DOCUMENTS REFERENCED HEREON MAY CONTAIN LIMITED RIGHTS DATA.

N/A
NEXT ASSEMBLY

PRO/ENGINEER INFORMATION
 Pro/e Model Used:
 21-033384-281.ASSEM
 Drawing Name:
 21-033384-281

UNLESS OTHERWISE SPECIFIED
 LINEAR DIMENSIONS ARE IN INCHES
 TOLERANCES:
 .XXXX = ±.0005 ANGLES= ±2°
 .XXX = ±.010
 .XX = ±.03
 .X = ±.1
 DIM. & TOL. PER ASME Y14.5M;
 DRM PER MIL-DTL-31000;
 OTHER Amphenol Stds. PER 9-3800
 LEGENDS:
 =FLAG NOTE CALL OUT
 REFERENCE ONLY

SPECIFICATIONS
 MATERIAL SPEC.
 N/A
 PROCESS SPEC.
 N/A

POS	QTY	PART NUMBER	DESCRIPTION	NOTE
7	1	L-2119-DL	INSTALLATION INSTRUCTIONS	4
6	1	21-033321-031	PIGGYBACK GROMMET SEAL	4
5	1	21-033382-286	SHIELD FERRULE	
4	1	21-033382-285	SPACER INSULATOR	
3	1	21-033384-284	OUTER CONTACT	
2	1	21-033384-283	FRONT INSULATOR	
1	4	21-033384-282	INNER CONTACT	

APPROVALS	DATE
PREPARED BY RATCHFORD	
ENGINEER IN CHARGE RATCHFORD	15-Jul-11
DESIGN MANAGER SHEPLER	
DESIGN ACTIVITY GROUP MIL AERO	

AMPHENOL CORPORATION
 40-60 DELAWARE AVENUE
 SIDNEY, N.Y. 13858

**CONTACT, PIN, QUADRAX,
 ELECTRICAL CONNECTOR,
 TYPE M38999 I & III, EN3155**

SIZE C	CAGE CODE 77820	DOCUMENT NO. 21-033384-281	REV. A
SCALE: 10:0		REF. 21-33384-21	SHEET 1 OF 1

21-033384-281

SHEET 1 OF 1

REV. A

C

B

A

FORMAT: C-U-E-I

RELEASED / Oct. 18 2011, 3:32:57 PM

21-033384-281

SHEET 1 OF 1

REV. A

21-033384-281

SHEET 1 OF 1

REV. A

C

B

A

21-033384-281