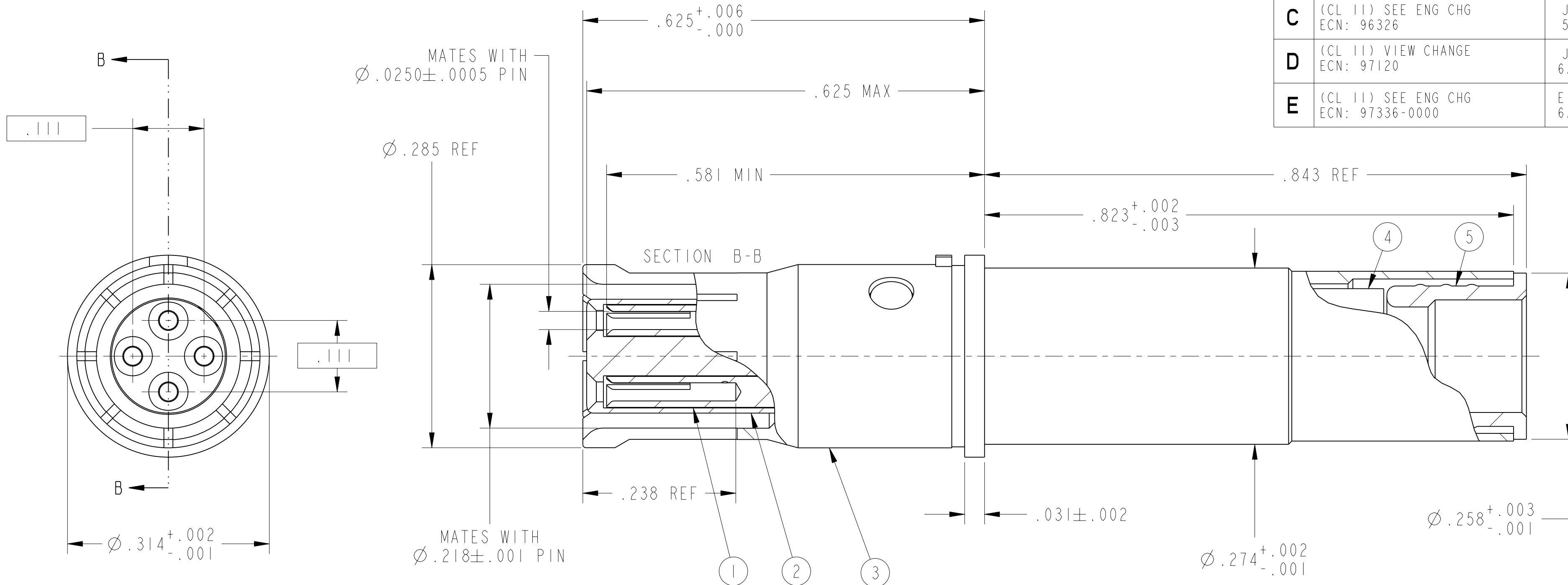


E		SHEET 1 OF 1		21-33385-21	
REVISIONS					
LTR	DESCRIPTION	DATE			
B	MODIFIED, CNR INITIAL RELEASE				
C	(CL II) SEE ENG CHG ECN: 96326	JHEATH 5/6/05			
D	(CL II) VIEW CHANGE ECN: 97120	JHEATH 6/13/05			
E	(CL II) SEE ENG CHG ECN: 97336-0000	E. PLACE 6/22/05			



7. MATES WITH D38999 QUADRAX PINS 21-33384-( ).
6. CRIMPING TOOLS:  
 OUTER CONTACT- M22520/5-01 TOOL, M22520/5-45 DIE SET (HEX CLOSURE A)  
 INNER CONTACTS- M22520/2-01 TOOL, DANIELS K709 (M22520/2-37) POSITIONER
5. TERMINATES QUADRAX CABLE DRAKA FILECA F4703-3 & F4704-4 (100 OHM) OR EQUIVALENT.
4. DRAWING ILLUSTRATES FINAL ASSEMBLY. CONTACT COMPONENTS ARE SHIPPED UNASSEMBLED  
 INSTALLATION INSTRUCTIONS & PIGGYBACK GROMMET SEAL (NOT ILLUSTRATED) ARE  
 PACKAGED WITH EACH ASSEMBLY. PACKAGE PER PRODUCTION PROCESS SHEET.
3. MATERIALS:  
 OUTER & INNER CONTACTS- BERYLLIUM COPPER PER ASTM-B-196  
 SHIELD FERRULE- BRASS PER ASTM B453 OR QQ-B-626  
 FRONT INSULATOR & SPACER INSULATOR- TFE RESIN PER ASTM 3651
2. FINISH:  
 GOLD PLATED PER MIL-G-45204 TYPE II, GRADE C, CLASS I (.000050 MIN)  
 OVER NICKEL PLATE PER QQ-N-290 (.000050 MIN).
1. CONTACTS MEET THE ENVELOPE DIMENSIONAL REQUIREMENTS OF M39029/91.

NOTES:

THE USE OF THIS DOCUMENT IS UNLIMITED. HOWEVER, DOCUMENTS REFERENCED HEREON MAY CONTAIN LIMITED RIGHTS DATA.

N/A  
NEXT ASSEMBLY

PRO/ENGINEER INFORMATION  
Pro/e Model Used:  
21-033385-021.ASSEM  
Drawing Name:  
21-33385-21

UNLESS OTHERWISE SPECIFIED  
SPECIFICATIONS  
LINEAR DIMENSIONS ARE IN INCHES  
TOLERANCES:  
.XXXX = ±.0005 ANGLES= ±2°  
.XXX = ±.010  
.XX = ±.03  
.X = ±.1  
DIM. & TOL. PER ASME Y14.5M;  
DRM PER MIL-DTL-31000;  
OTHER Amphenol Stds. PER 9-3800  
LEGENDS:  
=FLAG NOTE CALL OUT  
REFERENCE ONLY

MATERIAL SPEC.  
N/A  
PROCESS SPEC.  
N/A

POS	QTY	PART NUMBER	DESCRIPTION	NOTE
7	1	L-2119-A	INSTALLATION INSTRUCTIONS	4
6	1	21-33321-5	PIGGYBACK GROMMET SEAL	4
5	1	21-33384-26	SHIELD FERRULE	
4	1	21-33382-5 OR 21-33382-25	SPACER INSULATOR	
3	1	21-33385-44	OUTER CONTACT	
2	1	21-33385-43	FRONT INSULATOR	
1	4	21-33385-22	INNER CONTACT	

APPROVALS		DATE
PREPARED BY	L. RATCHFORD	14-Mar-03
ENGINEER IN CHARGE	L. RATCHFORD	
DESIGN MANAGER	ADAVIS	
DESIGN ACTIVITY GROUP	MIL AERO	
THIRD ANGLE PROJECTION		

AMPHENOL CORPORATION  
 40-60 DELAWARE AVENUE  
 SIDNEY, N.Y. 13858

CONTACT, SOCKET, QUADRAX,  
 ELECTRICAL CONNECTOR,  
 TYPE D38999 I & III

SIZE C	CAGE CODE 77820	DOCUMENT NO. 21-33385-21	REV. E
SCALE: 8.0		REF. 21-33385-51	SHEET 1 OF 1

21-33385-21

SHEET 1 OF 1

REV. E

C

B

A

D

C

I

E

Released

REV. E

SHEET 1 OF 1

21-33385-21