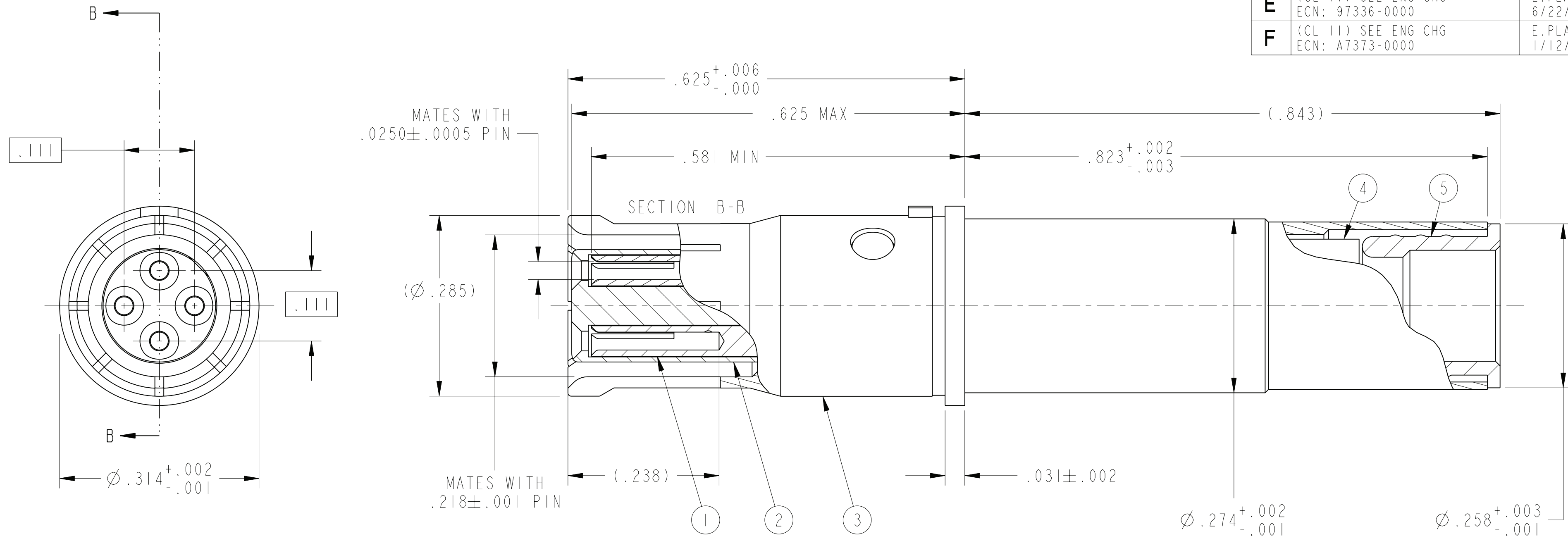


REV. SHEET 1 OF 1		21-33385-51
REVISIONS		
LTR	DESCRIPTION	DATE
B	MODIFIED INITIAL RELEASE	3/20/03
C	(CL II) SEE ENG CHG ECN: 96326	JHEATH 5/6/05
D	(CL II) VIEW CHANGE ECN: 97120	JHEATH 6/13/05
E	(CL II) SEE ENG CHG ECN: 97336-0000	E.PLACE 6/22/05
F	(CL II) SEE ENG CHG ECN: A7373-0000	E.PLACE 1/12/10



7. MATES WITH D38999 QUADRAX PINS 21-33384-().
6. CRIMPING TOOLS:
 OUTER CONTACT- M22520/5-01 TOOL, M22520/5-45 DIE SET (HEX CLOSURE A)
 INNER CONTACTS- M22520/2-01 TOOL, DANIELS K709 (M22520/2-37) POSITIONER
5. TERMINATES QUADRAX CABLE TENSOLITE NF24Q100 (100 OHM) OR EQUIVALENT.
4. DRAWING ILLUSTRATES FINAL ASSEMBLY. CONTACT COMPONENTS ARE SHIPPED UNASSEMBLED
 INSTALLATION INSTRUCTIONS & PIGGYBACK GROMMET SEAL (NOT ILLUSTRATED) ARE
 PACKAGED WITH EACH ASSEMBLY. PACKAGE PER PRODUCTION PROCESS SHEET.
3. MATERIALS:
 OUTER & INNER CONTACTS- BERYLLIUM COPPER PER ASTM-B-196
 SHIELD FERRULE- BRASS PER ASTM B453 OR QQ-B-626
 FRONT INSULATOR & SPACER INSULATOR- PTFE RESIN PER AMS 3651 OR PFA 340 OR ASTM D1710
2. FINISH:
 GOLD PLATED PER ASTM B488, TYPE II, CODE C, CLASS 1.27 (.000050 MIN)
 OVER NICKEL PLATE PER AMS-QQ-N-290 (.000050 MIN).
1. CONTACTS MEET THE ENVELOPE DIMENSIONAL REQUIREMENTS OF M39029/91.

NOTES:

THE USE OF THIS DOCUMENT IS UNLIMITED. HOWEVER, DOCUMENTS REFERENCED HEREON MAY CONTAIN LIMITED RIGHTS DATA.

PRO/ENGINEER INFORMATION	REV. F
Pro/e Model Used:	
21-033385-051.ASSEM	
Drawing Name:	
21-33385-51	

UNLESS OTHERWISE SPECIFIED	SPECIFICATIONS
LINEAR DIMENSIONS ARE IN INCHES TOLERANCES: .XXXX = ±.0005 ANGLES= ±2° .XXX = ±.010 .XX = ±.03 .X = ±.1	MATERIAL SPEC. N/A
DIM. & TOL. PER ASME Y14.5M; DRM PER MIL-DTL-31000; OTHER Amphenol Stds. PER 9-3800	PROCESS SPEC. N/A
LEGENDS: = FLAG NOTE CALL OUT REFERENCE ONLY	

POS	QTY	PART NUMBER	DESCRIPTION	NOTE
7	1	L-2119-D	INSTALLATION INSTRUCTIONS	4
6	1	21-33321-5	PIGGYBACK GROMMET SEAL	4
5	1	21-33384-56	SHIELD FERRULE	
4	1	21-33382-5 OR 21-33382-25	SPACER INSULATOR	
3	1	21-33385-44	OUTER CONTACT	
2	1	21-33385-43	FRONT INSULATOR	
1	4	21-33385-22	INNER CONTACT	

APPROVALS	DATE
PREPARED BY L. RATCHFORD	
ENGINEER IN CHARGE L. RATCHFORD	14-Mar-03
DESIGN MANAGER ADAVIS	
DESIGN ACTIVITY GROUP MIL AERO	
THIRD ANGLE PROJECTION	

PARTS LIST			
AMPHENOL CORPORATION 40-60 DELAWARE AVENUE SIDNEY, N.Y. 13858			
CONTACT, SOCKET, QUADRAX ELECTRICAL CONNECTOR, TYPE D38999 I & III			
SIZE C	CAGE CODE 77820	DOCUMENT NO. 21-33385-51	REV. F
SCALE: 8.0	REF. N/A	SHEET 1 OF 1	

21-33385-51

SHEET 1 OF 1

REV. F

C

B

A

FORMAT: C-0-L-E-1

21-33385-51

SHEET 1 OF 1

REV. F

NEXT ASSEMBLY

VERSION 0

REV. F

RELEASE STATE Released

REV. F

SHEET 1 OF 1

21-33385-51