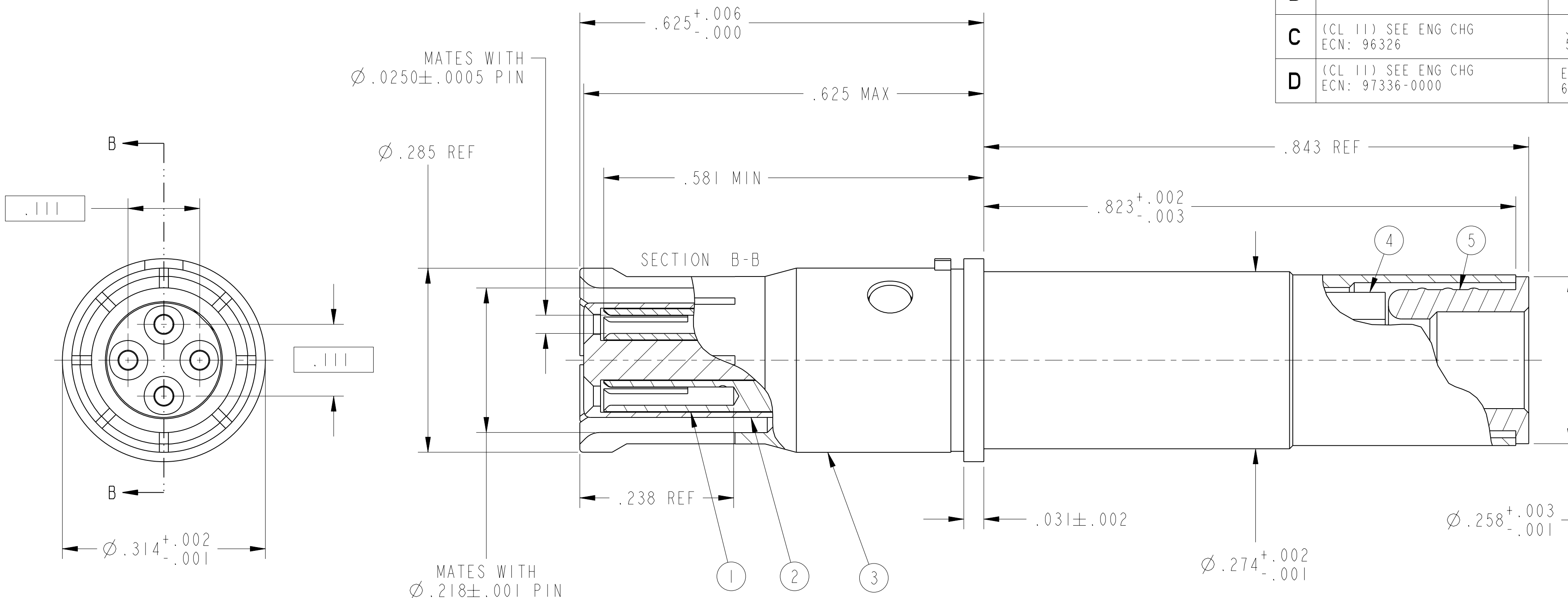


D		SHEET 1 OF 1		21-33385-71	
REVISIONS					
LTR	DESCRIPTION	DATE			
B	MODIFIED INITIAL RELEASE				
C	(CL II) SEE ENG CHG ECN: 96326	JHEATH 5/6/05			
D	(CL II) SEE ENG CHG ECN: 97336-0000	E.PLACE 6/22/05			



7. MATES WITH D38999 QUADRAX PINS 21-33384-().
6. CRIMPING TOOLS:
 OUTER CONTACT- M22520/5-01 TOOL, M22520/5-45 DIE SET (HEX CLOSURE A)
 INNER CONTACTS- M22520/2-01 TOOL, DANIELS K709 (M22520/2-37) POSITIONER
5. TERMINATES QUADRAX CABLE TENSOLITE NF26Q100 (100 OHM) OR EQUIVALENT.
4. DRAWING ILLUSTRATES FINAL ASSEMBLY. CONTACT COMPONENTS ARE SHIPPED UNASSEMBLED
 INSTALLATION INSTRUCTIONS & PIGGYBACK GROMMET SEAL (NOT ILLUSTRATED) ARE
 PACKAGED WITH EACH ASSEMBLY. PACKAGE PER PRODUCTION PROCESS SHEET.
3. MATERIALS:
 OUTER & INNER CONTACTS- BERYLLIUM COPPER PER ASTM-B-196
 SHIELD FERRULE- BRASS PER ASTM B453 OR QQ-B-626
 FRONT INSULATOR & SPACER INSULATOR- TFE RESIN PER ASTM 3651
2. FINISH:
 GOLD PLATED PER MIL-G-45204 TYPE II, GRADE C, CLASS I (.000050 MIN)
 OVER NICKEL PLATE PER QQ-N-290 (.000050 MIN).
1. CONTACTS MEET THE ENVELOPE DIMENSIONAL REQUIREMENTS OF M39029/91.

NOTES:

THE USE OF THIS DOCUMENT IS UNLIMITED. HOWEVER, DOCUMENTS REFERENCED HEREON MAY CONTAIN LIMITED RIGHTS DATA.

N/A
NEXT ASSEMBLY

PRO/ENGINEER INFORMATION
 Pro/e Model Used:
 21-033385-071.ASSEM
 Drawing Name:
 21-33385-71

UNLESS OTHERWISE SPECIFIED
 SPECIFICATIONS
 MATERIAL SPEC.
 N/A
 PROCESS SPEC.
 N/A

LINEAR DIMENSIONS ARE IN INCHES
 TOLERANCES:
 .XXXX = ±.0005 ANGLES= ±2°
 .XXX = ±.010
 .XX = ±.03
 .X = ±.1

DIM. & TOL. PER ASME Y14.5M;
 DRM PER MIL-DTL-31000;
 OTHER Amphenol Stds. PER 9-3800

LEGENDS:
 =FLAG NOTE CALL OUT
 REFERENCE ONLY

POS	QTY	PART NUMBER	DESCRIPTION	NOTE
7	1	L-2119-AB	INSTALLATION INSTRUCTIONS	4
6	1	21-33321-5	PIGGYBACK GROMMET SEAL	4
5	1	21-33384-86	SHIELD FERRULE	
4	1	21-33382-5 OR 2121-33382-25	SPACER INSULATOR	
3	1	21-33385-44	OUTER CONTACT	
2	1	21-33385-43	FRONT INSULATOR	
1	4	21-33385-22	INNER CONTACT	

APPROVALS	DATE
PREPARED BY: LRATCHFORD	
ENGINEER IN CHARGE: LRATCHFORD	14-Jan-04
DESIGN MANAGER: ADAVIS	
DESIGN ACTIVITY GROUP: MIL AERO	

PARTS LIST

AMPHENOL CORPORATION
 40-60 DELAWARE AVENUE
 SIDNEY, N.Y. 13858

**CONTACT, SOCKET, QUADRAX,
 ELECTRICAL CONNECTOR,
 TYPE D38999 I & III**

SIZE C	CAGE CODE 77820	DOCUMENT NO. 21-33385-71	REV. D
SCALE: 8.0		REF. 21-33385-51	SHEET 1 OF 1

21-33385-71

SHEET 1 OF 1

REV. D

C

B

A

D

C

REV. I

REV. D

RELEASE STATE
Released

REV. D

SHEET 1 OF 1

21-33385-71