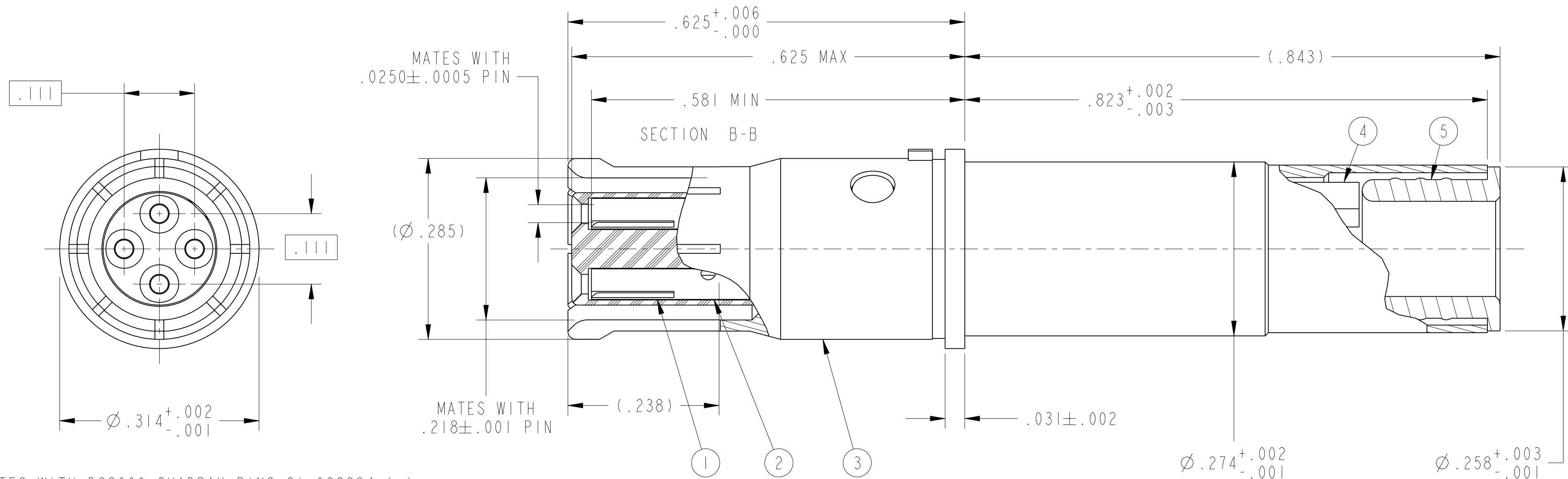


REV. A	SHEET 1 OF 1	21-033385-101
REVISIONS		
LTR	DESCRIPTION	DATE
A	INITIAL RELEASE	3/20/03



7. MATES WITH D38999 QUADRAX PINS 21-033384-( ).
6. CRIMPING TOOLS:  
 OUTER CONTACT- M22520/5-01 TOOL, M22520/5-45 DIE SET (HEX CLOSURE A)  
 INNER CONTACTS- M22520/2-01 TOOL, DANIELS K709 (M22520/2-37) POSITIONER
5. TERMINATES QUADRAX CABLE TENSOLITE 28433/02171LX-4 (90 OHM) OR EQUIVALENT.
4. DRAWING ILLUSTRATES FINAL ASSEMBLY. CONTACT COMPONENTS ARE SHIPPED UNASSEMBLED  
 INSTALLATION INSTRUCTIONS & PIGGYBACK GROMMET SEAL (NOT ILLUSTRATED) ARE  
 PACKAGED WITH EACH ASSEMBLY. PACKAGE PER PRODUCTION PROCESS SHEET.
3. MATERIALS:  
 OUTER & INNER CONTACTS- BERYLLIUM COPPER PER ASTM-B-196  
 SHIELD FERRULE- BRASS PER ASTM B453 OR QQ-B-626  
 FRONT INSULATOR & SPACER INSULATOR- PTFE RESIN PER AMS 3651 OR PFA 340 OR ASTM D1710
2. FINISH:  
 GOLD PLATED PER ASTM B488, TYPE II, CODE C, CLASS 1.27 (.000050 MIN)  
 OVER NICKEL PLATE PER AMS-QQ-N-290 (.000050 MIN).
1. CONTACTS MEET THE ENVELOPE DIMENSIONAL REQUIREMENTS OF M39029/91.

NOTES:

THE USE OF THIS DOCUMENT IS UNLIMITED. HOWEVER, DOCUMENTS REFERENCED HEREON MAY CONTAIN LIMITED RIGHTS DATA.

RELEASED / Sep . 27 2012, 8:37:53 AM

21-033385-101

SHEET 1 OF 1

REV. A

N/A

NEXT ASSEMBLY

PRO/ENGINEER INFORMATION

Pro/e Model Used:  
21-033385-101.ASSEM  
Drawing Name:  
21-033385-101

UNLESS OTHERWISE SPECIFIED

LINEAR DIMENSIONS ARE IN INCHES  
TOLERANCES:  
.XXXX = ±.0005 ANGLES= ±2°  
.XXX = ±.010  
.XX = ±.03  
.X = ±.1

DIM. & TOL. PER ASME Y14.5M;  
DRM PER MIL-DTL-31000;  
OTHER Amphenol Stds. PER 9-3800  
LEGENDS:  
=FLAG NOTE CALL OUT REFERENCE ONLY

SPECIFICATIONS

MATERIAL SPEC.  
N/A

PROCESS SPEC.  
N/A

POS	QTY	PART NUMBER	DESCRIPTION	NOTE
7	1	L-2119-EK	INSTALLATION INSTRUCTIONS	4
6	1	21-033321-005	PIGGYBACK GROMMET SEAL	4
5	1	21-033384-156	SHIELD FERRULE	
4	1	21-033382-005 OR 21-033382-025	SPACER INSULATOR	
3	1	21-033385-044	OUTER CONTACT	
2	1	21-033385-043	FRONT INSULATOR	
1	4	21-033385-022	INNER CONTACT	

APPROVALS		DATE
PREPARED BY	D. PHILLIPS	21-Sep-12
ENGINEER IN CHARGE	D. PHILLIPS	
DESIGN MANAGER	E. HICKEY	
DESIGN ACTIVITY GROUP	C-1	
THIRD ANGLE PROJECTION		

PARTS LIST			
<b>AMPHENOL CORPORATION</b> 40-60 DELAWARE AVENUE SIDNEY, N.Y. 13858			
<b>CONTACT, SOCKET, QUADRAX ELECTRICAL CONNECTOR, TYPE D38999 I &amp; III</b>			
SIZE <b>C</b>	CAGE CODE <b>77820</b>	DOCUMENT NO. <b>21-033385-101</b>	REV. <b>A</b>
SCALE: 8.0	REF. 21-33385-51	SHEET 1 OF 1	

21-033385-101

SHEET 1 OF 1

REV. A

C

B

A

FORMAT: C-U-E-I

Eng PDM Information For Reference Only

REVISION A

REVISION 0

REV. A

SHEET 1 OF 1

21-033385-101