

REV. A	SHEET 1 OF 1	DOCUMENT NO. 21-033385-161
REVISIONS		
LTR	DESCRIPTION	DATE
A	INITIAL RELEASE	-

21-033385-161

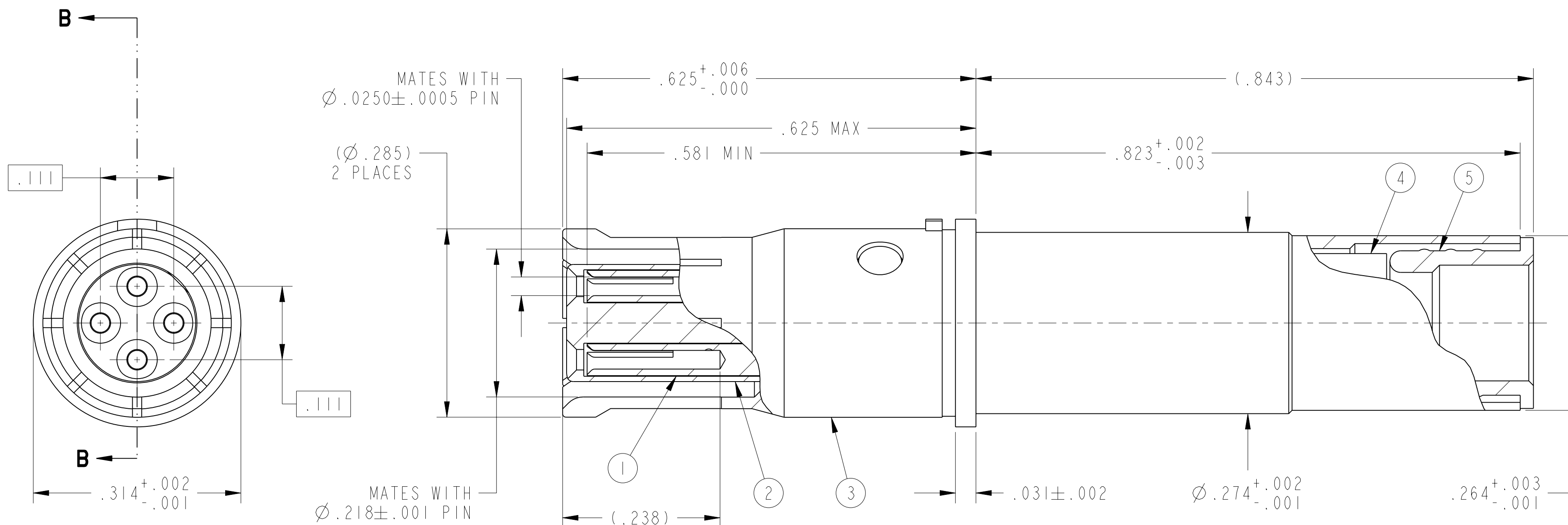
SHEET 1 OF 1

REV. A

C

B

A



PARTIAL SECTION B-B

- MATES WITH D38999 QUADRAX PINS 21-033384-161.
- CRIMPING TOOLS:  
 OUTER CONTACT- M22520/5-01 TOOL, M22520/5-45 DIE SET (HEX CLOSURE A)  
 INNER CONTACTS- M22520/2-01 TOOL, DANIELS K709 (M22520/2-37) POSITIONER
- TERMINATES QUADRAX CABLE TENSOLITE NF24Q100-01 (100 OHM) OR EQUIVALENT.
- DRAWING ILLUSTRATES FINAL ASSEMBLY. CONTACT COMPONENTS ARE SHIPPED UNASSEMBLED  
 INSTALLATION INSTRUCTIONS & PIGGYBACK GROMMET SEAL (NOT ILLUSTRATED) ARE  
 PACKAGED WITH EACH ASSEMBLY. PACKAGE PER PRODUCTION PROCESS SHEET.
- MATERIALS:  
 OUTER & INNER CONTACTS- BERYLLIUM COPPER PER ASTM-B-196  
 SHIELD FERRULE- BRASS PER ASTM B453 OR EQUIVALENT.  
 FRONT INSULATOR & SPACER INSULATOR- TFE RESIN PER ASTM 3651 OR EQUIVALENT.
- FINISH:  
 GOLD PLATED PER MIL-G-45204 TYPE II, GRADE C, CLASS I (.000050 MIN)  
 OVER NICKEL PLATE PER QQ-N-290 (.000050 MIN).
- CONTACTS MEET THE ENVELOPE DIMENSIONAL REQUIREMENTS OF M39029/91.

NOTES:

THE USE OF THIS DOCUMENT IS UNLIMITED. HOWEVER, DOCUMENTS REFERENCED HEREON MAY CONTAIN LIMITED RIGHTS DATA.

RELEASED / Feb. 13 2006, 03:00 PM

DOCUMENT NO. 21-033385-161 SHEET 1 OF 1 REV. A

N/A

NEXT ASSEMBLY

PRO/ENGINEER INFORMATION

Pro/e Model Used:  
 21-033385-161.ASSEM  
 Drawing Name:  
 21-033385-161

UNLESS OTHERWISE SPECIFIED

LINEAR DIMENSIONS ARE IN INCHES  
 TOLERANCES:  
 .XXXX = ±.0005 ANGLES= ±2°  
 .XXX = ±.010  
 .XX = ±.03  
 .X = ±.1

DIM. & TOL. PER ASME Y14.5M;  
 DRM PER MIL-DTL-31000;  
 OTHER Amphenol Stds. PER 9-3800

LEGENDS:  
 =FLAG NOTE CALL OUT  
 REFERENCE ONLY

SPECIFICATIONS

MATERIAL SPEC. N/A

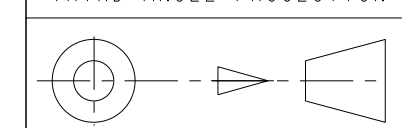
PROCESS SPEC.

N/A

POS	QTY	PART NUMBER	DESCRIPTION	NOTE
7	1	L-2119-BE	INSTALLATION INSTRUCTIONS	4
6	1	21-033321-023	PIGGYBACK GROMMET SEAL, EMI	4
5	1	21-033384-056	SHIELD FERRULE	
4	1	21-033382-005 OR 21-033382-025	SPACER INSULATOR	
3	1	21-033385-044	OUTER CONTACT	
2	1	21-033385-043	FRONT INSULATOR	
1	4	21-033385-022	INNER CONTACT	

APPROVALS	DATE
PREPARED BY H. REEVE	
ENGINEER IN CHARGE L RATCHFORD	14-Mar-03
DESIGN MANAGER H. JOHNSON	
DESIGN ACTIVITY GROUP MIL-AERO DEVELOP	

PARTS LIST



**AMPHENOL CORPORATION**  
 40-60 DELAWARE AVENUE  
 SIDNEY, N.Y. 13858

**CONTACT, SOCKET, QUADRAX  
 ELECTRICAL CONNECTOR,  
 TYPE D38999 I & III, NRAO**

SIZE C CAGE CODE 77820 DOCUMENT NO. 21-033385-161 REV. A

SCALE: 8.0 REF. 21-33385-51 SHEET 1 OF 1

21-033385-161

SHEET 1 OF 1

REV. A

C

B

A

21-033385-161