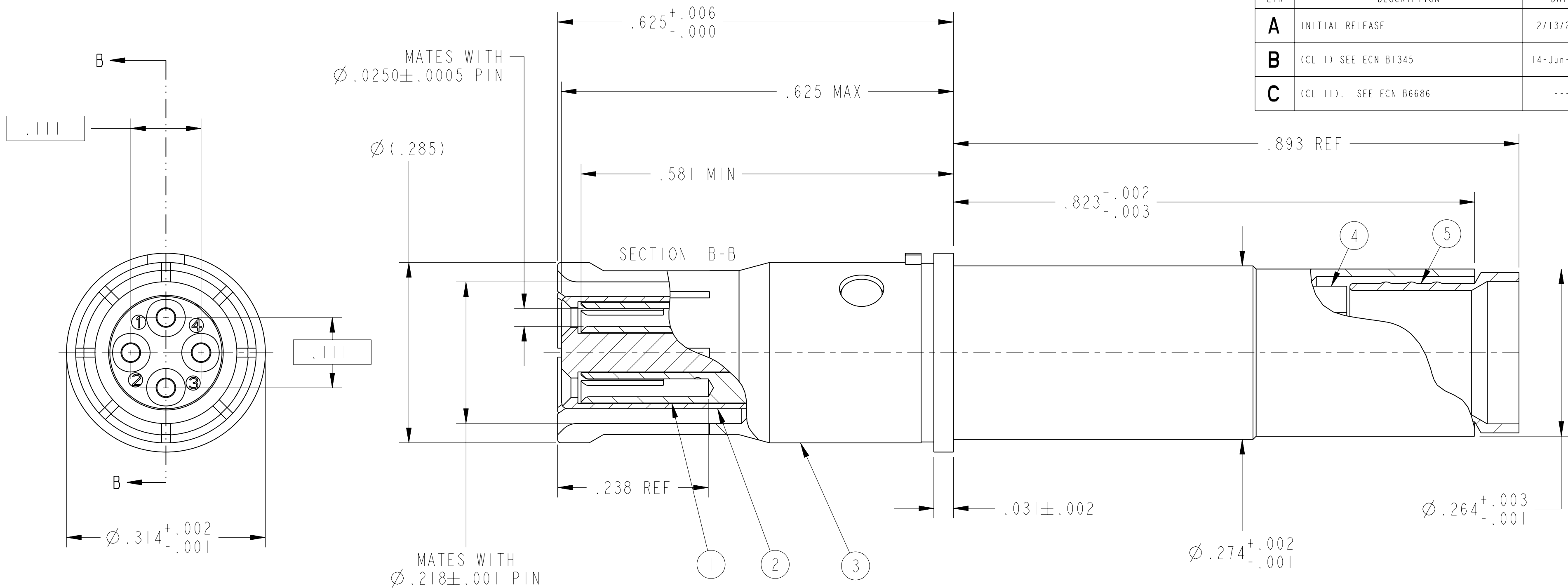


REV. C	SHEET 1 OF 1	21-033385-171
REVISIONS		
LTR	DESCRIPTION	DATE
A	INITIAL RELEASE	2/13/2007
B	(CL I) SEE ECN B1345	14-Jun-2011
C	(CL II). SEE ECN B6686	---



7. MATES WITH D38999 QUADRAX PIN 21-33384-().
6. CRIMPING TOOLS:
 OUTER CONTACT- M22520/5-01 TOOL, M22520/5-45 DIE SET (HEX CLOSURE A)
 INNER CONTACTS- M22520/2-01 TOOL, DANIELS K709 (M22520/2-37) POSITIONER
5. TERMINATES QUADRAX CABLE JSFY18-3 (110 OHM) OR EQUIVALENT.
4. DRAWING ILLUSTRATES FINAL ASSEMBLY. CONTACT COMPONENTS ARE SHIPPED UNASSEMBLED
 INSTALLATION INSTRUCTIONS & PIGGYBACK GROMMET SEAL (NOT ILLUSTRATED) ARE
 PACKAGED WITH EACH ASSEMBLY. PACKAGE PER PRODUCTION PROCESS SHEET.
3. MATERIALS:
 OUTER & INNER CONTACTS- BERYLLIUM COPPER PER ASTM-B-196
 SHIELD FERRULE- BRASS PER ASTM B453 OR EQUIVALENT
 FRONT INSULATOR & SPACER INSULATOR- TFE RESIN PER AMS 3651 OR EQUIVALENT
2. FINISH:
 GOLD PLATED IN ACCORDANCE WITH SAE AS39029
 OVER NICKEL PLATE PER AMS-QQ-N-290 (.000050 MIN).
1. CONTACTS MEET THE ENVELOPE DIMENSIONAL REQUIREMENTS OF M39029/91.

NOTES:

THE USE OF THIS DOCUMENT IS UNLIMITED. HOWEVER, DOCUMENTS REFERENCED HEREON MAY CONTAIN LIMITED RIGHTS DATA.

N/A
NEXT ASSEMBLY

PRO/ENGINEER INFORMATION
 Pro/e Model Used:
 21-033385-171.ASSEM
 Drawing Name:
 21-033385-171

UNLESS OTHERWISE SPECIFIED

LINEAR DIMENSIONS ARE IN INCHES
 TOLERANCES:
 .XXXX = ±.0005 ANGLES= ±2°
 .XXX = ±.010
 .XX = ±.03
 .X = ±.1

DIM. & TOL. PER ASME Y14.5M;
 DRM PER MIL-DTL-31000;
 OTHER Amphenol Stds. PER 9-3800

LEGENDS:
 =FLAG NOTE CALL OUT
 REFERENCE ONLY

SPECIFICATIONS

MATERIAL SPEC.
 N/A

PROCESS SPEC.
 N/A

POS	QTY	PART NUMBER	DESCRIPTION	NOTE
7	1	L-2119-BN	INSTALLATION INSTRUCTIONS	4
6	1	21-033321-030	PIGGYBACK GROMMET SEAL	4
5	1	21-033384-116	SHIELD FERRULE	
4	1	21-033382-005 OR 21-033382-025	SPACER INSULATOR	
3	1	21-033385-044	OUTER CONTACT	
2	1	21-033385-043	FRONT INSULATOR	
1	4	21-033385-022	INNER CONTACT	

APPROVALS

PREPARED BY	DJSMITH	DATE	30-Jan-07
ENGINEER IN CHARGE	LRATCHFORD		
DESIGN MANAGER	ADAVIS		
DESIGN ACTIVITY GROUP	MIL AERO		

THIRD ANGLE PROJECTION

PARTS LIST

AMPHENOL CORPORATION
 40-60 DELAWARE AVENUE
 SIDNEY, N.Y. 13858

**CONTACT, SOCKET, QUADRAX,
 ELECTRICAL CONNECTOR,
 TYPE D38999 I & II**

SIZE	CAGE CODE	DOCUMENT NO.	REV.
C	77820	21-033385-171	C

SCALE: 8.0 REF. 21-33385-91 SHEET 1 OF 1

21-033385-171

SHEET 1 OF 1

REV. C

C

B

A

FORMAT: C-U-E-1

21-033385-171

SHEET 1 OF 1

REV. C

RELEASE STATE Released

SHEET 1 OF 1

21-033385-171