

REV. A		SHEET 1 OF 1		DOCUMENT NO. 21-033385-191	
REVISIONS					
LTR	DESCRIPTION			DATE	
A	INITIAL RELEASE			---	

21-033385-191

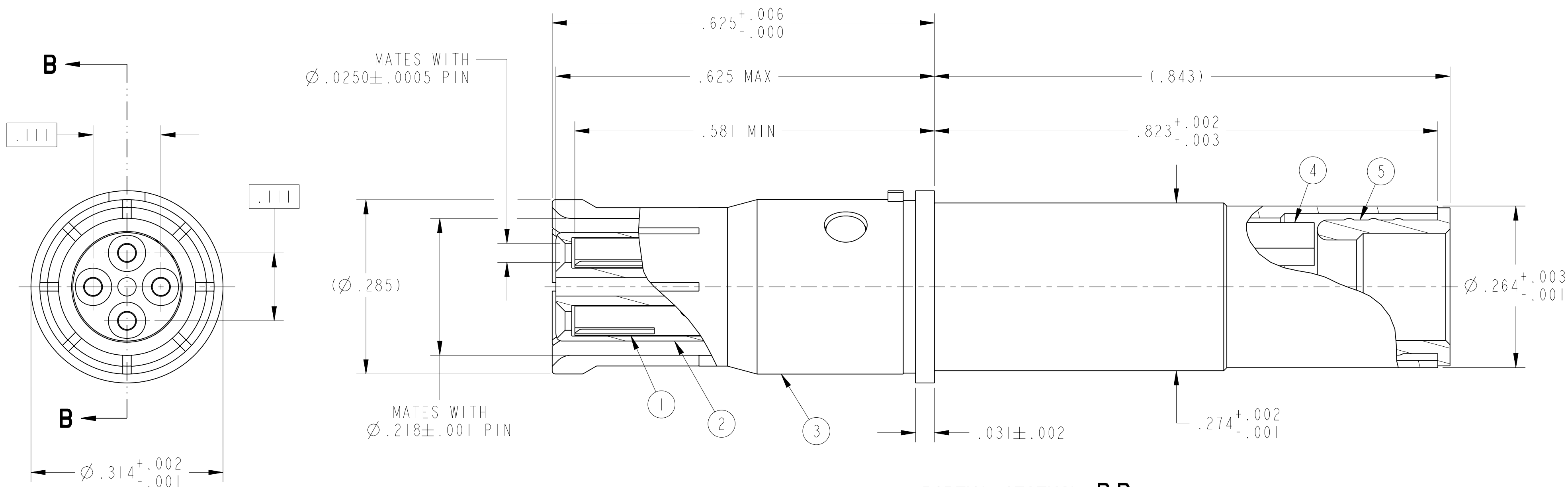
SHEET 1 OF 1

REV. A

C

B

A



PARTIAL SECTION B-B

7. MATES WITH D38999 QUADRAX PINS 21-033384-( ).
6. CRIMPING TOOLS:  
 OUTER CONTACT- M22520/5-01 TOOL, M22520/5-45 DIE SET (HEX CLOSURE A)  
 INNER CONTACTS- M22520/2-01 TOOL, DANIELS K709 (M22520/2-37) POSITIONER
5. TERMINATES QUADRAX CABLE TENSOLITE NF24Q100-01 (100 OHM) OR EQUIVALENT.
4. DRAWING ILLUSTRATES FINAL ASSEMBLY. CONTACT COMPONENTS ARE SHIPPED UNASSEMBLED  
 INSTALLATION INSTRUCTIONS & PIGGYBACK GROMMET SEAL (NOT ILLUSTRATED) ARE  
 PACKAGED WITH EACH ASSEMBLY. PACKAGE PER PRODUCTION PROCESS SHEET.
3. MATERIALS:  
 OUTER & INNER CONTACTS- BERYLLIUM COPPER PER ASTM-B-196  
 SHIELD FERRULE- BRASS PER ASTM B453 OR QQ-B-626  
 FRONT INSULATOR & SPACER INSULATOR- TFE RESIN PER AMS 3651
2. FINISH:  
 GOLD PLATED PER MIL-G-45204 TYPE II, GRADE C, CLASS I (.000050 MIN)  
 OVER NICKEL PLATE PER QQ-N-290 (.000050 MIN).
1. CONTACTS MEET THE ENVELOPE DIMENSIONAL REQUIREMENTS OF M39029/91.

NOTES:

THE USE OF THIS DOCUMENT IS UNLIMITED. HOWEVER, DOCUMENTS REFERENCED HEREON MAY CONTAIN LIMITED RIGHTS DATA.

10-628485-564X  
NEXT ASSEMBLY

PRO/ENGINEER INFORMATION  
Pro/e Model Used:  
21-033385-191.ASSEM  
Drawing Name:  
21-033385-191

UNLESS OTHERWISE SPECIFIED

LINEAR DIMENSIONS ARE IN INCHES  
TOLERANCES:  
.XXXX = ±.0005 ANGLES= ±2°  
.XXX = ±.010  
.XX = ±.03  
.X = ±.1

DIM. & TOL. PER ASME Y14.5M;  
DRM PER MIL-DTL-31000;  
OTHER Amphenol Stds. PER 9-3800  
LEGENDS:  
=FLAG NOTE CALL OUT REFERENCE ONLY

SPECIFICATIONS

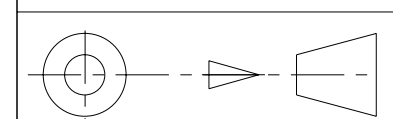
MATERIAL SPEC.  
N/A

PROCESS SPEC.  
N/A

POS	QTY	PART NUMBER	DESCRIPTION	NOTE
7	1	L-2119-BS	INSTALLATION INSTRUCTIONS	4
6	1	21-033321-005	PIGGYBACK GROMMET SEAL	4
5	1	21-033384-056	SHIELD FERRULE	
4	1	21-033382-005 OR 21-033382-025	SPACER INSULATOR	
3	1	21-033385-044	OUTER CONTACT	
2	1	21-033385-053	FRONT INSULATOR	
1	4	21-033385-032	INNER CONTACT	

APPROVALS	DATE
PREPARED BY J. BORDEAU	
ENGINEER IN CHARGE D. PHILLIPS	29-0c1-07
DESIGN MANAGER H. JOHNSON	
DESIGN ACTIVITY GROUP MIL-AERO DEVELOP	

THIRD ANGLE PROJECTION



PARTS LIST

AMPHENOL CORPORATION  
40-60 DELAWARE AVENUE  
SIDNEY, N.Y. 13858  
CONTACT, SOCKET, QUADRAX,  
ELECTRICAL CONNECTOR,  
TYPE D38999 I & III

SIZE C	CAGE CODE 77820	DOCUMENT NO. 21-033385-191	REV. A
SCALE: 8.0		REF. 21-33385-31	SHEET 1 OF 1

RELEASE STATE Released

SHEET 1 OF 1

21-033385-191

FORMAT: C-U-E-1

RELEASED / Jan . 15 2008, 03:03 PM  
DOCUMENT NO. 21-033385-191

SHEET 1 OF 1

REV. A