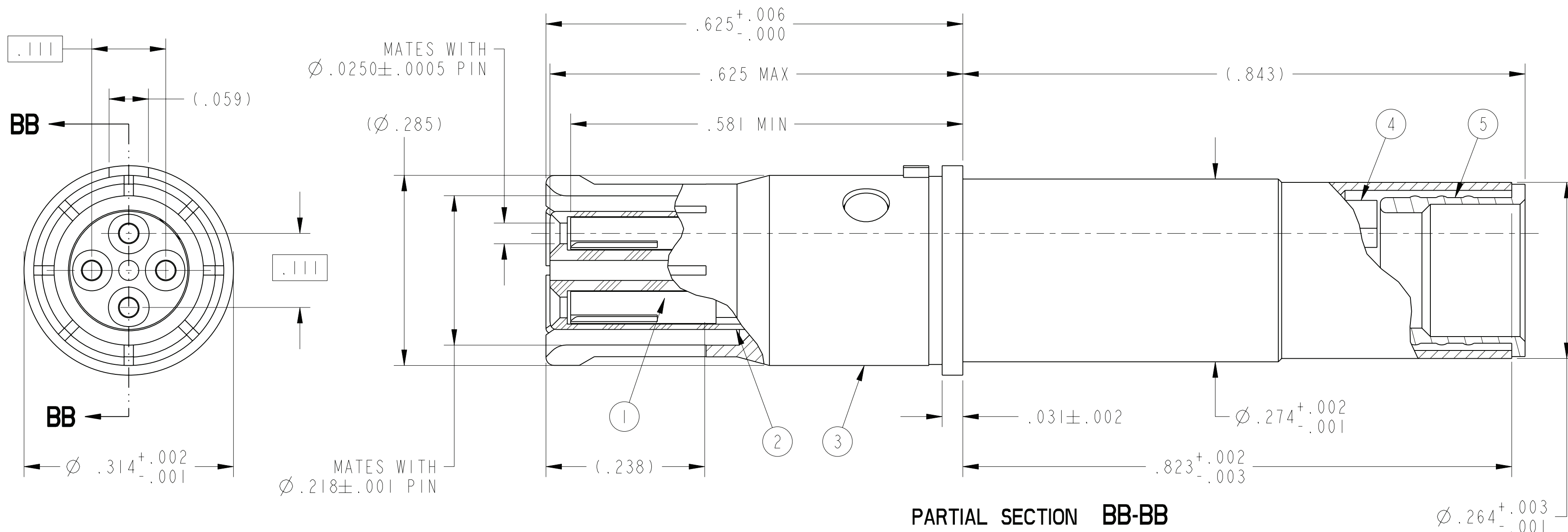


REV. B		SHEET 1 OF 1		DOCUMENT NO. 21-033385-211	
REVISIONS					
LTR	DESCRIPTION	DATE			
A	INITIAL RELEASE	1/21/2009			
B	(CL 1) SEE ECN B1346	-----			



7. MATES WITH D38999 QUADRAX PINS 21-033384-( ).
6. CRIMPING TOOLS:  
 OUTER CONTACT- M22520/5-01 TOOL, M22520/5-45 DIE SET (HEX CLOSURE A)  
 INNER CONTACTS- M22520/2-01 TOOL, DANIELS K709 (M22520/2-37) POSITIONER
5. TERMINATES QUADRAX CABLE TENSOLITE 24450/03089X-4(LD) (110 OHM) OR EQUIVALENT.
4. DRAWING ILLUSTRATES FINAL ASSEMBLY. CONTACT COMPONENTS ARE SHIPPED UNASSEMBLED  
 INSTALLATION INSTRUCTIONS & PIGGYBACK GROMMET SEAL (NOT ILLUSTRATED) ARE  
 PACKAGED WITH EACH ASSEMBLY. PACKAGE PER PRODUCTION PROCESS SHEET.
3. MATERIALS:  
 OUTER & INNER CONTACTS- BERYLLIUM COPPER PER ASTM-B-196  
 SHIELD FERRULE- BRASS PER ASTM B453 OR QQ-B-626  
 FRONT INSULATOR & SPACER INSULATOR- TFE RESIN PER ASTM 3651
2. FINISH:  
 GOLD PLATED PER MIL-G-45204 TYPE II, GRADE C, CLASS I (.000050 MIN)  
 OVER NICKEL PLATE PER QQ-N-290 (.000050 MIN).
1. CONTACTS MEET THE ENVELOPE DIMENSIONAL REQUIREMENTS OF M39029/91.

NOTES:

THE USE OF THIS DOCUMENT IS UNLIMITED. HOWEVER, DOCUMENTS REFERENCED HEREON MAY CONTAIN LIMITED RIGHTS DATA.

N/A  
NEXT ASSEMBLY

PRO/ENGINEER INFORMATION  
 Pro/e Model Used:  
 21-033385-211.ASSEM  
 Drawing Name:  
 21-033385-211

UNLESS OTHERWISE SPECIFIED  
 LINEAR DIMENSIONS ARE IN INCHES  
 TOLERANCES:  
 .XXXX = ±.0005 ANGLES= ±2°  
 .XXX = ±.010  
 .XX = ±.03  
 .X = ±.1  
 DIM. & TOL. PER ASME Y14.5M;  
 DRM PER MIL-DTL-31000;  
 OTHER Amphenol Stds. PER 9-3800  
 LEGENDS:  
 =FLAG NOTE CALL OUT  
 REFERENCE ONLY

SPECIFICATIONS

MATERIAL SPEC.  
N/A

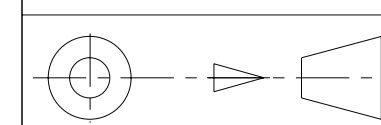
PROCESS SPEC.

N/A

POS	QTY	PART NUMBER	DESCRIPTION	NOTE
7	1	L-2119-CD	INSTALLATION INSTRUCTIONS	4
6	1	21-033321-030	PIGGYBACK GROMMET SEAL	4
5	1	21-033384-036	SHIELD FERRULE	
4	1	21-033382-005 OR 21-033382-025	SPACER INSULATOR	
3	1	21-033385-044	OUTER CONTACT	
2	1	21-033385-053	FRONT INSULATOR	
1	4	21-033385-212	INNER CONTACT	

APPROVALS	DATE
PREPARED BY D. PHILLIPS	
ENGINEER IN CHARGE L RATCHFORD	14-Jan-09
DESIGN MANAGER H. JOHNSON	
DESIGN ACTIVITY GROUP MIL-AERO DEVELOP	

PARTS LIST



**AMPHENOL CORPORATION**  
 40-60 DELAWARE AVENUE  
 SIDNEY, N.Y. 13858

**CONTACT, SOCKET, QUADRAX,  
 ELECTRICAL CONNECTOR,  
 TYPE D38999 I & III, IEEE 1394B**

SIZE C	CAGE CODE 77820	DOCUMENT NO. 21-033385-211	REV. B
SCALE: 8.0		REF. 21-33385-61	SHEET 1 OF 1

DOCUMENT NO. 21-033385-211  
 SHEET 1 OF 1  
 REV. B  
 RELEASE STATE Released  
 VERSION 0