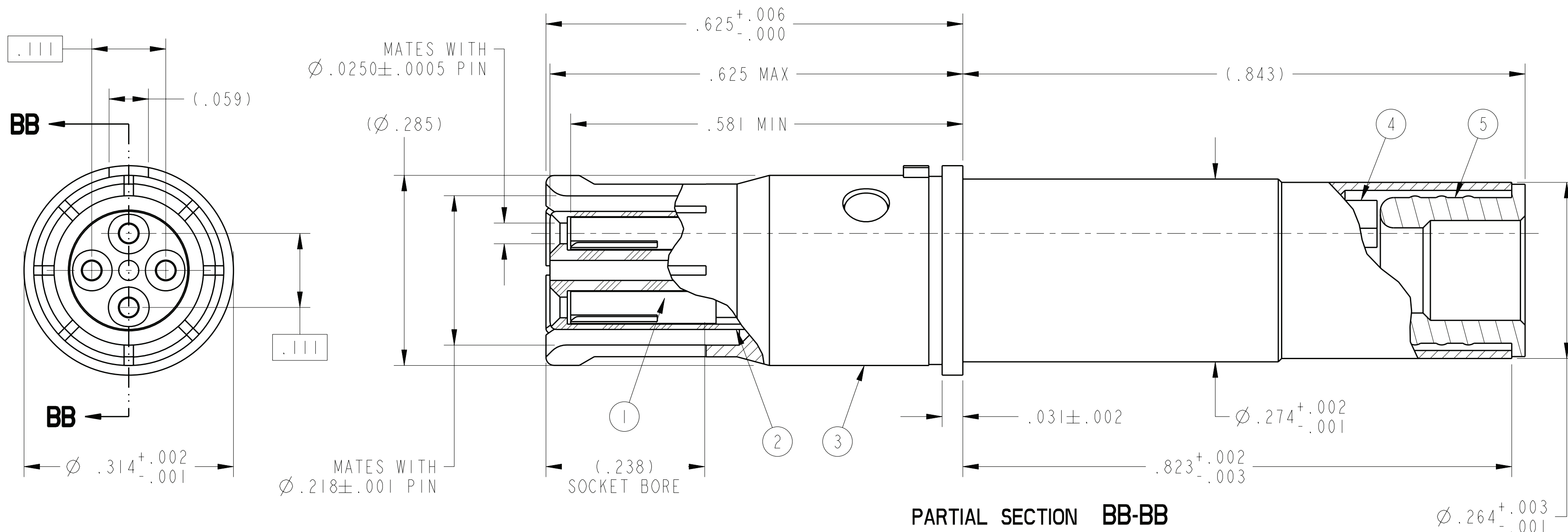


REV. A		SHEET 1 OF 1		DOCUMENT NO. 21-033385-231	
REVISIONS					
LTR	DESCRIPTION			DATE	
A	INITIAL RELEASE				



PARTIAL SECTION BB-BB

7. MATES WITH D38999 QUADRAX PINS 21-033384-().
6. CRIMPING TOOLS:
 OUTER CONTACT- M22520/5-01 TOOL, M22520/5-45 DIE SET (HEX CLOSURE A)
 INNER CONTACTS- M22520/2-01 TOOL, DANIELS K709 (M22520/2-37) POSITIONER
5. TERMINATES QUADRAX CABLE RCN8487-1 OR JSFY18-1 (110 OHM) OR EQUIVALENT.
4. DRAWING ILLUSTRATES FINAL ASSEMBLY. CONTACT COMPONENTS ARE SHIPPED UNASSEMBLED
 INSTALLATION INSTRUCTIONS & PIGGYBACK GROMMET SEAL (NOT ILLUSTRATED) ARE
 PACKAGED WITH EACH ASSEMBLY. PACKAGE PER PRODUCTION PROCESS SHEET.
3. MATERIALS:
 OUTER & INNER CONTACTS- BERYLLIUM COPPER PER ASTM-B-196
 SHIELD FERRULE- BRASS PER ASTM B453 OR EQUIVALENT
 FRONT INSULATOR & SPACER INSULATOR- TFE RESIN PER AMS 3651 OR EQUIVALENT
2. FINISH:
 GOLD PLATED PER MIL-G-45204 TYPE II, GRADE C, CLASS I (.000050 MIN)
 OVER NICKEL PLATE PER QQ-N-290 (.000050 MIN).
1. CONTACTS MEET THE ENVELOPE DIMENSIONAL REQUIREMENTS OF M39029/91.

NOTES:

THE USE OF THIS DOCUMENT IS UNLIMITED. HOWEVER, DOCUMENTS REFERENCED HEREON MAY CONTAIN LIMITED RIGHTS DATA.

RELEASED / Feb . 26 2010, 2:18:35 PM

DOCUMENT NO. 21-033385-231 SHEET 1 OF 1 REV. A

N/A

NEXT ASSEMBLY

PRO/ENGINEER INFORMATION

Pro/e Model Used:

21-033385-231.ASSEM

Drawing Name:

21-033385-231

UNLESS OTHERWISE SPECIFIED

SPECIFICATIONS

LINER DIMENSIONS ARE IN INCHES

TOLERANCES:

.XXXX = ±.0005 ANGLES= ±2°

.XXX = ±.010

.XX = ±.03

.X = ±.1

DIM. & TOL. PER ASME Y14.5M;

DRM PER MIL-DTL-31000;

OTHER Amphenol Stds. PER 9-3800

LEGENDS:

=FLAG NOTE CALL OUT REFERENCE ONLY

MATERIAL SPEC.

N/A

PROCESS SPEC.

N/A

POS	QTY	PART NUMBER	DESCRIPTION	NOTE
7	1	L-2119-CR	INSTALLATION INSTRUCTIONS	4
6	1	21-033321-005	PIGGYBACK GROMMET SEAL	4
5	1	21-033384-086	SHIELD FERRULE	
4	1	21-033382-005 OR 21-033382-025	SPACER INSULATOR	
3	1	21-033385-044	OUTER CONTACT	
2	1	21-033385-053	FRONT INSULATOR	
1	4	21-033385-212	INNER CONTACT	

APPROVALS

PREPARED BY RATCHFORD

ENGINEER IN CHARGE RATCHFORD

DESIGN MANAGER SHEPLER

DESIGN ACTIVITY GROUP MIL-AERO DEVELOP

DATE 14-Jan-09

THIRD ANGLE PROJECTION

PARTS LIST

AMPHENOL CORPORATION

40-60 DELAWARE AVENUE
SIDNEY, N.Y. 13858

**CONTACT, SOCKET, QUADRAX,
ELECTRICAL CONNECTOR,
TYPE D38999 I & III, IEEE 1394B**

SIZE C CAGE CODE 77820 DOCUMENT NO. 21-033385-231 REV. A

SCALE: 8.0 REF 21-33385-211 SHEET 1 OF 1

21-033385-231

SHEET 1 OF 1

REV. A

C

B

A

FORMAT: C-U-E-I

D

C

VERSION 0

REVISION A

RELEASE STATE WIP

REV. A

SHEET 1 OF 1

21-033385-231