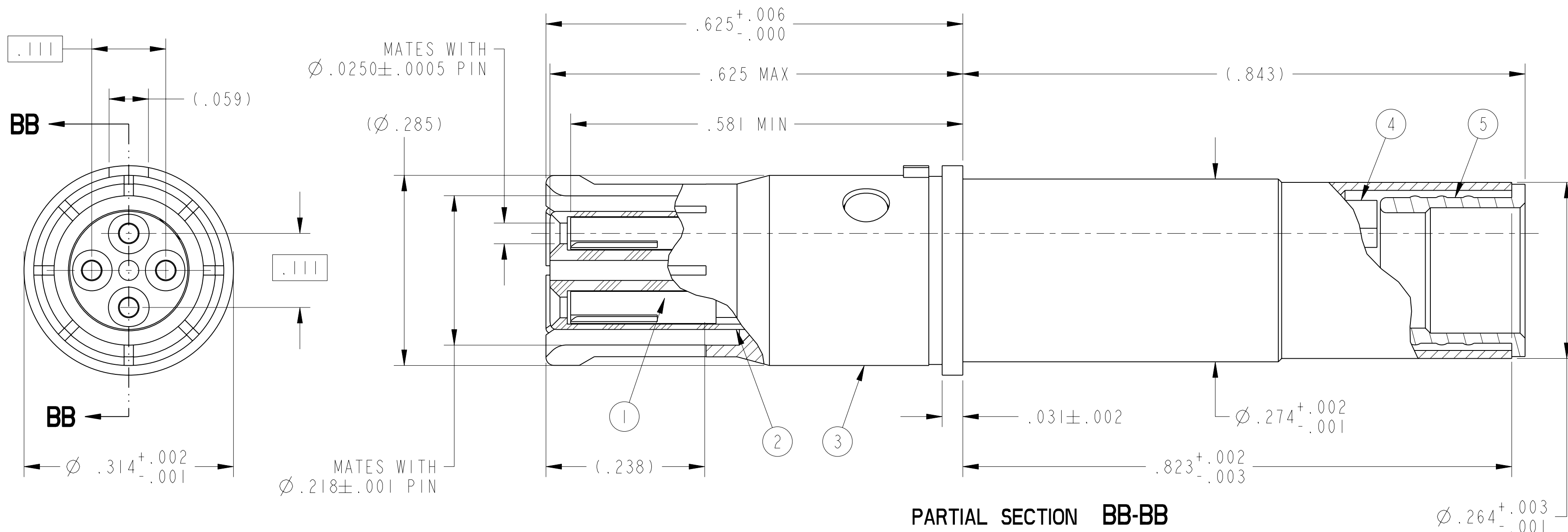


REV. A		SHEET 1 OF 1		DOCUMENT NO. 21-033385-301	
REVISIONS					
LTR	DESCRIPTION			DATE	
A	INITIAL RELEASE			---	



PARTIAL SECTION BB-BB

7. MATES WITH D38999 QUADRAX PINS 21-033384-().
6. CRIMPING TOOLS:
 OUTER CONTACT- M22520/5-01 TOOL, M22520/5-45 OR DANIELS Y1999 DIE SET (HEX CLOSURE A)
 INNER CONTACTS- M22520/2-01 TOOL, DANIELS K709 (M22520/2-37) POSITIONER
5. TERMINATES QUADRAX CABLE W.L. GORE RCN8647 (110 OHM) OR EQUIVALENT.
4. DRAWING ILLUSTRATES FINAL ASSEMBLY. CONTACT COMPONENTS ARE SHIPPED UNASSEMBLED. INSTALLATION INSTRUCTIONS & PIGGYBACK GROMMET SEAL (NOT ILLUSTRATED) ARE PACKAGED WITH EACH ASSEMBLY. PACKAGE PER PRODUCTION PROCESS SHEET.
3. MATERIALS:
 OUTER & INNER CONTACTS- BERYLLIUM COPPER PER ASTM-B-196
 SHIELD FERRULE- BRASS PER ASTM B453 OR QQ-B-626
 FRONT INSULATOR & SPACER INSULATOR - PTFE RESIN PER AMS 3651 OR PFA 340 OR ASTM D1710
2. FINISH:
 GOLD PLATED IN ACCORDANCE WITH SAE AS39029
 OVER NICKEL PLATE PER QQ-N-290 (.000050 MIN).
1. CONTACTS MEET THE ENVELOPE DIMENSIONAL REQUIREMENTS OF M39029/91.

NOTES:

THE USE OF THIS DOCUMENT IS UNLIMITED. HOWEVER, DOCUMENTS REFERENCED HEREON MAY CONTAIN LIMITED RIGHTS DATA.

N/A
NEXT ASSEMBLY

PRO/ENGINEER INFORMATION
 Pro/e Model Used:
 21-033385-301.ASSEM
 Drawing Name:
 21-033385-301

UNLESS OTHERWISE SPECIFIED
 SPECIFICATIONS
 LINEAR DIMENSIONS ARE IN INCHES
 TOLERANCES:
 .XXXX = ±.0005 ANGLES= ±2°
 .XXX = ±.010
 .XX = ±.03
 .X = ±.1
 DIM. & TOL. PER ASME Y14.5M;
 DRM PER MIL-DTL-31000;
 OTHER Amphenol Stds. PER 9-3800
 LEGENDS:
 =FLAG NOTE CALL OUT REFERENCE ONLY

MATERIAL SPEC.
 N/A
 PROCESS SPEC.
 N/A

POS	QTY	PART NUMBER	DESCRIPTION	NOTE
7	1	L-2119-DR	INSTALLATION INSTRUCTIONS	4
6	1	21-033321-030	PIGGYBACK GROMMET SEAL	4
5	1	21-033384-306	SHIELD FERRULE	
4	1	21-033382-005 OR 21-033382-025	SPACER INSULATOR	
3	1	21-033385-044	OUTER CONTACT	
2	1	21-033385-053	FRONT INSULATOR	
1	4	21-033385-212	INNER CONTACT	

APPROVALS		DATE
PREPARED BY	J. BORDEAU	23-Jan-13
ENGINEER IN CHARGE	D. PHILLIPS	
DESIGN MANAGER	E. HICKEY	
DESIGN ACTIVITY GROUP	CI	
THIRD ANGLE PROJECTION		

PARTS LIST			
AMPHENOL CORPORATION 40-60 DELAWARE AVENUE SIDNEY, N.Y. 13858			
CONTACT, SOCKET, QUADRAX, ELECTRICAL CONNECTOR, TYPE D38999 I & III, IEEE 1394B			
SIZE C	CAGE CODE 77820	DOCUMENT NO. 21-033385-301	REV. A
SCALE: 8.0	REF. 21-033385-211	SHEET 1 OF 1	

21-033385-301

SHEET 1 OF 1

REV. A

C

B

A

FORMAT: C-U-E-1

RELEASED / Feb . 05 2013, 11:51:37 AM

DOCUMENT NO. 21-033385-301

SHEET 1 OF 1

REV. A

REVISION 2

REVISION A

Eng. PDM Information For Reference Only

REV. A

SHEET 1 OF 1

DOCUMENT NO. 21-033385-301