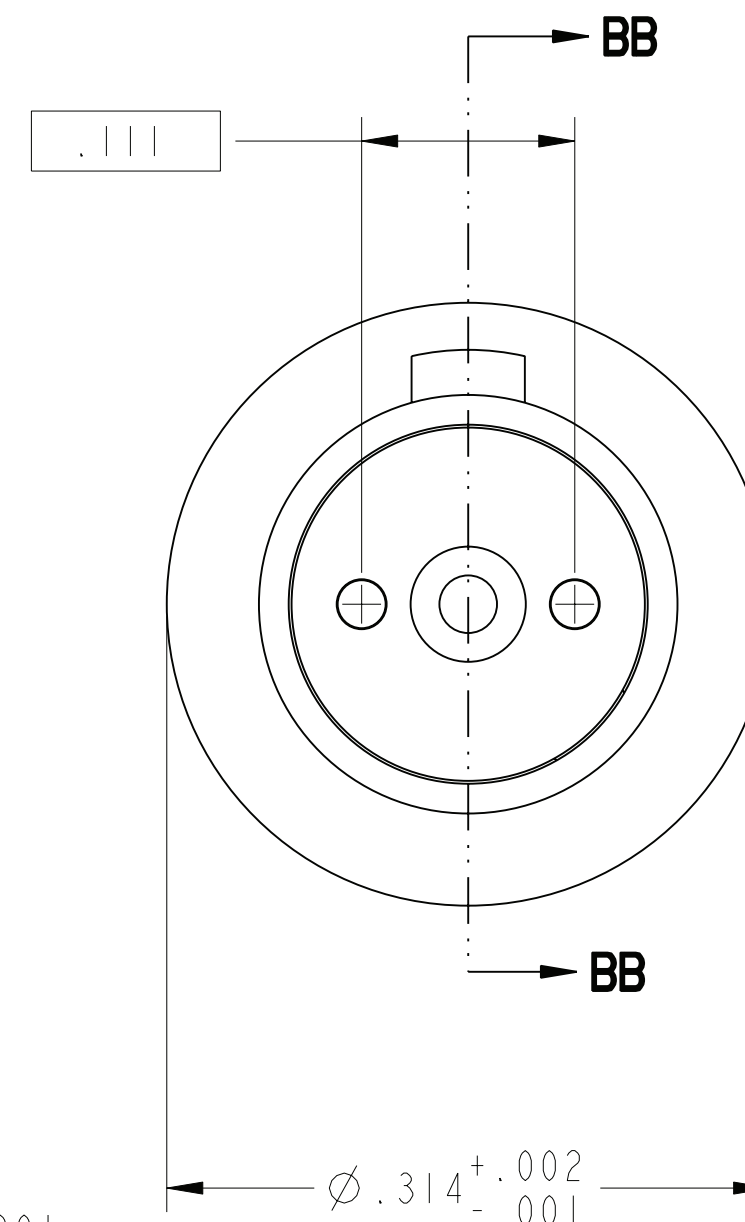
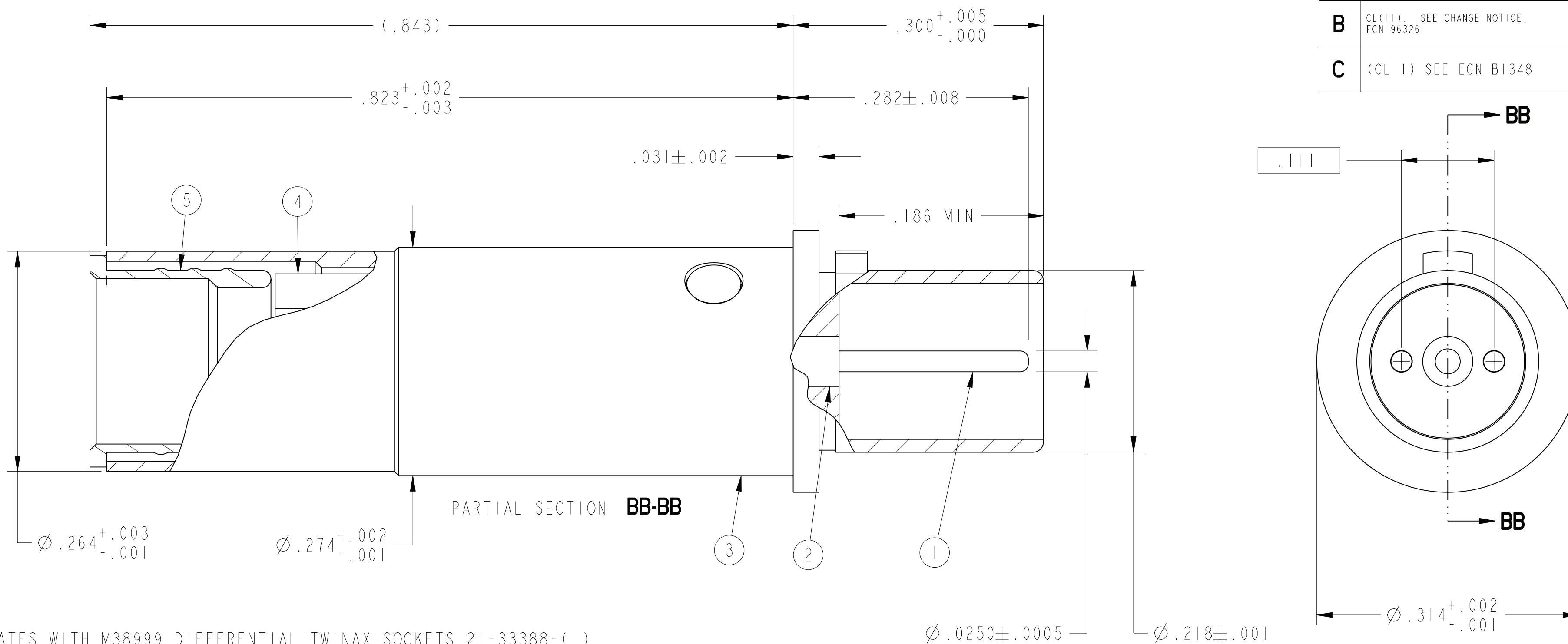


REV. C	SHEET 1 OF 1	21-33387-31
REVISIONS		
LTR	DESCRIPTION	DATE
A	INITIAL RELEASE	17May2004
B	CL(11), SEE CHANGE NOTICE. ECN 96326	5/11/2005
C	(CL 1) SEE ECN B1348	-----



7. MATES WITH M38999 DIFFERENTIAL TWINAX SOCKETS 21-33388-().
6. CRIMPING TOOLS:
 OUTER CONTACT- M22520/5-01 TOOL, M22520/5-45 DIE SET (HEX CLOSURE A)
 INNER CONTACTS- M22520/2-01 TOOL, DANIELS K709 (M22520/2-37) POSITIONER
5. TERMINATES TWINAX CABLE TENSOLITE 26483/03071X-2(LD) (150 OHM) OR EQUIVALENT.
4. DRAWING ILLUSTRATES FINAL ASSEMBLY. CONTACT COMPONENTS ARE SHIPPED UNASSEMBLED. INSTALLATION INSTRUCTIONS & PIGGYBACK GROMMET SEAL (NOT ILLUSTRATED) ARE PACKAGED WITH EACH ASSEMBLY. PACKAGE PER PRODUCTION PROCESS SHEET.
3. MATERIALS:
 OUTER & INNER CONTACTS- BERYLLIUM COPPER PER ASTM-B-196
 SHIELD FERRULE- BRASS PER ASTM B453 OR QQ-B-626
 FRONT INSULATOR & SPACER INSULATOR- TFE RESIN PER AMS 3651
2. FINISH:
 GOLD PLATED PER MIL-G-45204 TYPE II, GRADE C, CLASS I (.000050 MIN)
 OVER NICKEL PLATE PER QQ-N-290 (.000050 MIN).
1. CONTACTS MEET THE ENVELOPE DIMENSIONAL REQUIREMENTS OF M39029/90.

NOTES:

THE USE OF THIS DOCUMENT IS UNLIMITED. HOWEVER, DOCUMENTS REFERENCED HEREON MAY CONTAIN LIMITED RIGHTS DATA.

N/A
NEXT ASSEMBLY

PRO/ENGINEER INFORMATION
 Pro/e Model Used:
 21-033387-031.ASSEM
 Drawing Name:
 21-33387-31

UNLESS OTHERWISE SPECIFIED
 LINEAR DIMENSIONS ARE IN INCHES
 TOLERANCES:
 .XXXX = ±.0005 ANGLES= ±2°
 .XXX = ±.010
 .XX = ±.03
 .X = ±.1
 DIM. & TOL. PER ASME Y14.5M;
 DRM PER MIL-DTL-31000;
 OTHER Amphenol Stds. PER 9-3800
 LEGENDS:
 =FLAG NOTE CALL OUT REFERENCE ONLY

SPECIFICATIONS
 MATERIAL SPEC.
 N/A
 PROCESS SPEC.
 N/A

POS	QTY	PART NUMBER	DESCRIPTION	NOTE
7	1	L-2119-AC	INSTALLATION INSTRUCTIONS	4
6	1	21-033321-030	PIGGYBACK GROMMET SEAL	4
5	1	21-33384-106	SHIELD FERRULE	
4	1	21-33382-5 OR 21-33382-25	SPACER INSULATOR	
3	1	21-33384-44	OUTER CONTACT	
2	1	21-33387-33	FRONT INSULATOR	
1	2	21-33384-32	INNER CONTACT	

APPROVALS	DATE
PREPARED BY D. PHILLIPS	
ENGINEER IN CHARGE LRATCHFORD	29-Apr-04
DESIGN MANAGER ADAVIS	
DESIGN ACTIVITY GROUP MIL AERO	

AMPHENOL CORPORATION
 40-60 DELAWARE AVENUE
 SIDNEY, N.Y. 13858

CONTACT, PIN,
 DIFFERENTIAL TWINAX,
 TYPE M38999 I & III

SIZE C	CAGE CODE 77820	DOCUMENT NO. 21-33387-31	REV. C
-----------	--------------------	-----------------------------	-----------

SCALE: 10:0 REF. 21-33387-21 SHEET 1 OF 1

21-33387-31

SHEET 1 OF 1

REV. C

C

B

A

FORMAT: C-U-E-1

21-33387-31

SHEET 1 OF 1

REV. C

RELEASE STATE Released

SHEET 1 OF 1

21-33387-31