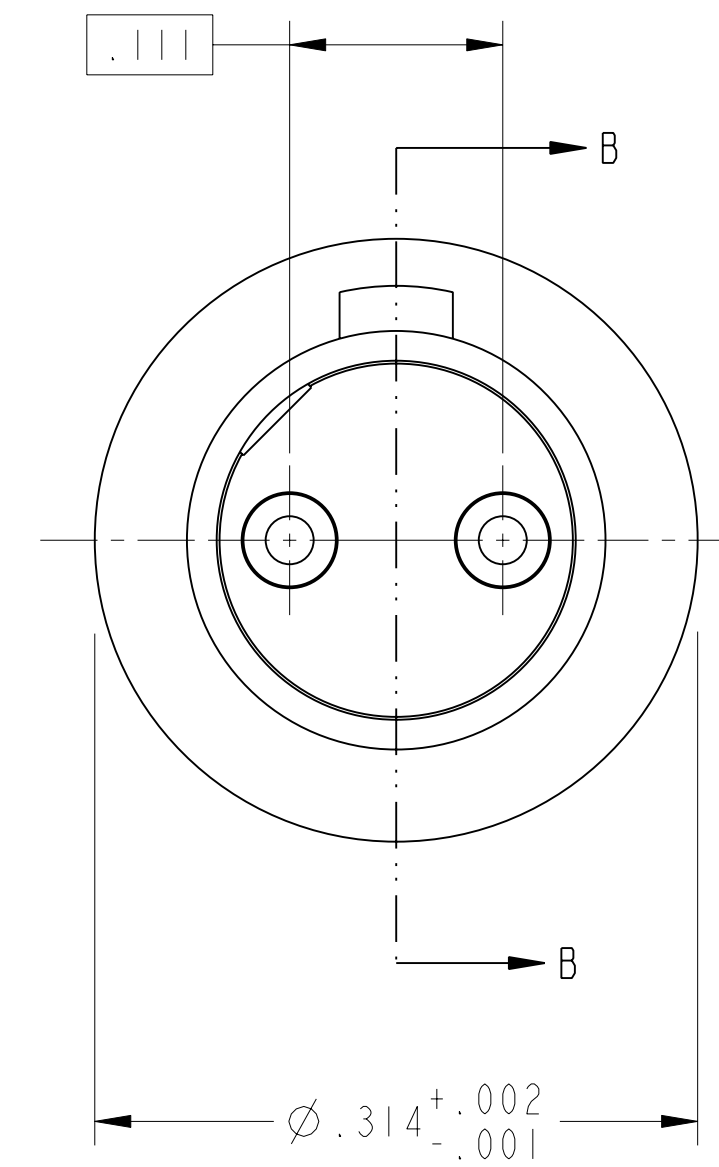
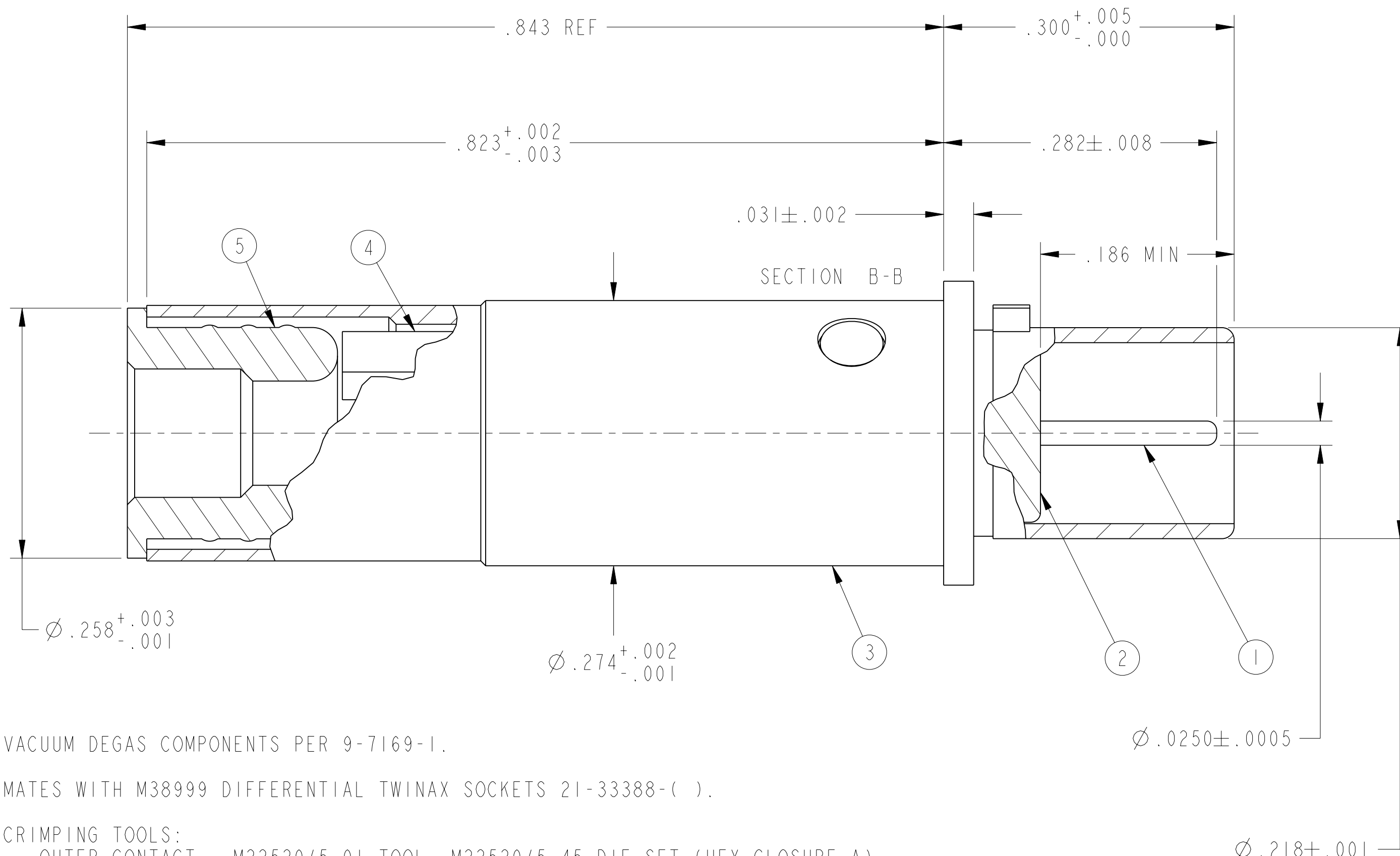


REV. A	SHEET 1 OF 1	DOCUMENT NO. 21-033387-051
REVISIONS		
LTR	DESCRIPTION	DATE
A	INITIAL RELEASE	



- CONTACTS MEET THE ENVELOPE DIMENSIONAL REQUIREMENTS OF M39029/90.
- FINISH:  
GOLD PLATED PER MIL-G-45204 TYPE II, GRADE C, CLASS I (.000050 MIN)  
OVER NICKEL PLATE PER QQ-N-290 (.000050 MIN).
- MATERIALS:  
OUTER & INNER CONTACTS- BERYLLIUM COPPER PER ASTM-B-196  
SHIELD FERRULE- BRASS PER ASTM B453 OR EQUIVALENT  
FRONT INSULATOR & SPACER INSULATOR- TFE RESIN PER AMS 3651 OR EQUIVALENT
- DRAWING ILLUSTRATES FINAL ASSEMBLY. CONTACT COMPONENTS ARE SHIPPED UNASSEMBLED. INSTALLATION INSTRUCTIONS & PIGGYBACK GROMMET SEAL (NOT ILLUSTRATED) ARE PACKAGED WITH EACH ASSEMBLY. PACKAGE PER PRODUCTION PROCESS SHEET.
- TERMINATES TWINAX CABLE TENSOLITE 26453/03184X-2(LD) (100 OHM) OR EQUIVALENT.
- CRIMPING TOOLS:  
OUTER CONTACT- M22520/5-01 TOOL, M22520/5-45 DIE SET (HEX CLOSURE A)  
INNER CONTACTS- M22520/2-01 TOOL, DANIELS K709 (M22520/2-37) POSITIONER
- MATES WITH M38999 DIFFERENTIAL TWINAX SOCKETS 21-33388-( ).
- VACUUM DEGAS COMPONENTS PER 9-7169-1.

**NOTES:**

THE USE OF THIS DOCUMENT IS UNLIMITED. HOWEVER, DOCUMENTS REFERENCED HEREON MAY CONTAIN LIMITED RIGHTS DATA.

RELEASED / Oct. 27 2006, 09:59 AM

DOCUMENT NO. 21-033387-051

SHEET 1 OF 1

REV. A

N/A	PRO/ENGINEER INFORMATION
N/A	Pro/e Model Used:
N/A	21-033387-041.ASSEM
N/A	Drawing Name:
N/A	21-033387-051

UNLESS OTHERWISE SPECIFIED	SPECIFICATIONS
LINEAR DIMENSIONS ARE IN INCHES TOLERANCES: .XXXX = ±.0005 ANGLES= ±2° .XXX = ±.010 .XX = ±.03 .X = ±.1	MATERIAL SPEC. N/A
DIM. & TOL. PER ASME Y14.5M; DRM PER MIL-DTL-31000; OTHER Amphenol Stds. PER 9-3800	PROCESS SPEC. 9-7169-1
LEGENDS: =FLAG NOTE CALL OUT REFERENCE ONLY	

POS	QTY	PART NUMBER	DESCRIPTION	NOTE
7	1	L-2119-AY	INSTALLATION INSTRUCTIONS	4
6	1	21-033321-005	PIGGYBACK GROMMET SEAL	4
5	1	21-033384-076	SHIELD FERRULE	
4	1	21-033382-005 OR 21-033382-025	SPACER INSULATOR	
3	1	21-033384-044	OUTER CONTACT	
2	1	21-033387-043	FRONT INSULATOR	
1	2	21-033384-022	INNER CONTACT	

APPROVALS

PREPARED BY: RATCHFORD  
ENGINEER IN CHARGE: RATCHFORD  
DESIGN MANAGER: ADAVIS  
DESIGN ACTIVITY GROUP: MIL AERO

DATE: 27-0c1-03

THIRD ANGLE PROJECTION

AMPHENOL CORPORATION  
40-60 DELAWARE AVENUE  
SIDNEY, N.Y. 13858

CONTACT, PIN,  
DIFFERENTIAL TWINAX,  
TYPE M38999 I & III

SIZE: C  
CAGE CODE: 77820  
DOCUMENT NO.: 21-033387-051  
REV. A

SCALE: 10:0  
REF: 21-33387-41  
SHEET 1 OF 1

21-033387-051

SHEET 1 OF 1

REV. A

B

A

RELEASED / Oct. 27 2006, 09:59 AM

21-033387-051

21-033387-051

SHEET 1 OF 1

REV. A

B

A

RELEASED / Oct. 27 2006, 09:59 AM

21-033387-051