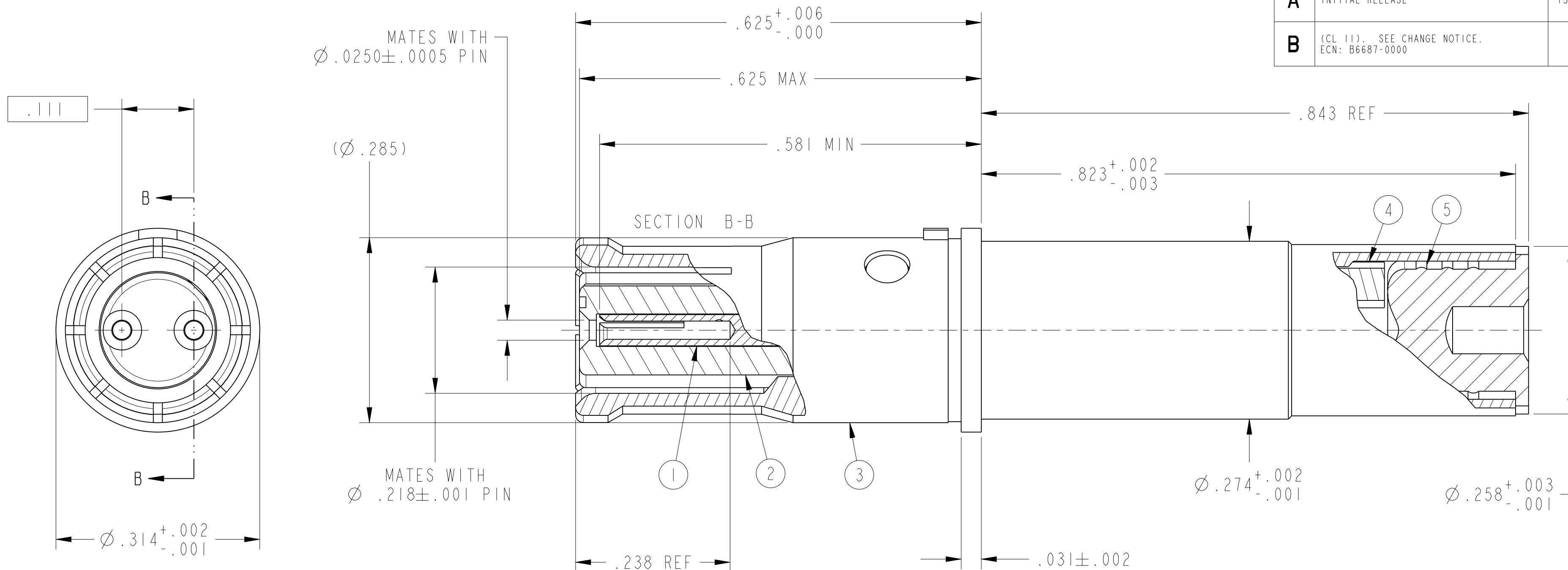


REV. B		SHEET 1 OF 1		21-033388-041	
REVISIONS					
LTR	DESCRIPTION			DATE	
A	INITIAL RELEASE			15-Nov-2005	
B	(CL 11). SEE CHANGE NOTICE. ECN: B6687-0000			---	



7. MATES WITH M38999 DIFFERENTIAL TWINAX PINS 21-33387-( ).
6. CRIMPING TOOLS:  
 OUTER CONTACT- M22520/5-01 TOOL, M22520/5-45 DIE SET (HEX CLOSURE A)  
 INNER CONTACTS- M22520/2-01 TOOL, DANIELS K709 (M22520/2-37) POSITIONER
5. TERMINATES TWINAX CABLE TENSOLITE 26453/03184X-2(LD) (100 OHM) OR EQUIVALENT.
4. DRAWING ILLUSTRATES FINAL ASSEMBLY. CONTACT COMPONENTS ARE SHIPPED UNASSEMBLED  
 INSTALLATION INSTRUCTIONS & PIGGYBACK GROMMET SEAL (NOT ILLUSTRATED) ARE  
 PACKAGED WITH EACH ASSEMBLY. PACKAGE PER PRODUCTION PROCESS SHEET.
3. MATERIALS:  
 OUTER & INNER CONTACTS- BERYLLIUM COPPER PER ASTM-B-196  
 SHIELD FERRULE- BRASS PER ASTM B453 OR EQUIVALENT  
 FRONT INSULATOR & SPACER INSULATOR- TFE RESIN PER AMS 3651 OR EQUIVALENT
2. FINISH:  
 GOLD PLATED IN ACCORDANCE WITH SAE AS39029  
 OVER NICKEL PLATE PER QQ-N-290 (.000050 MIN).
1. CONTACTS MEET THE ENVELOPE DIMENSIONAL REQUIREMENTS OF M39029/91.

NOTES:

THE USE OF THIS DOCUMENT IS UNLIMITED. HOWEVER, DOCUMENTS REFERENCED HEREON MAY CONTAIN LIMITED RIGHTS DATA.

N/A  
NEXT ASSEMBLY

PRO/ENGINEER INFORMATION  
 Pro/e Model Used:  
 21-033388-041.ASSEM  
 Drawing Name:  
 21-033388-041

UNLESS OTHERWISE SPECIFIED  
 LINEAR DIMENSIONS ARE IN INCHES  
 TOLERANCES:  
 .XXXX = ±.0005 ANGLES= ±2°  
 .XXX = ±.010  
 .XX = ±.03  
 .X = ±.1  
 DIM. & TOL. PER ASME Y14.5M;  
 DRM PER MIL-DTL-31000;  
 OTHER Amphenol Stds. PER 9-3800  
 LEGENDS:  
 =FLAG NOTE CALL OUT  
 REFERENCE ONLY

SPECIFICATIONS

MATERIAL SPEC.  
N/A

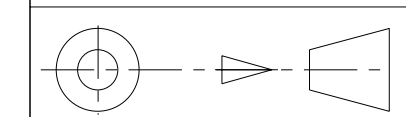
PROCESS SPEC.

N/A

POS	QTY	PART NUMBER	DESCRIPTION	NOTE
7	1	L-2119-T	INSTALLATION INSTRUCTIONS	4
6	1	21-033321-005	PIGGYBACK GROMMET SEAL	4
5	1	21-033384-076	SHIELD FERRULE	
4	1	21-033382-005 OR 21-033382-025	SPACER INSULATOR	
3	1	21-033385-044	OUTER CONTACT	
2	1	21-033388-043	FRONT INSULATOR	
1	2	21-033385-022	INNER CONTACT	

APPROVALS	DATE
PREPARED BY RATCHFORD	
ENGINEER IN CHARGE RATCHFORD	27-01-03
DESIGN MANAGER ADAVIS	
DESIGN ACTIVITY GROUP MIL AERO	

THIRD ANGLE PROJECTION



AMPHENOL CORPORATION  
 40-60 DELAWARE AVENUE  
 SIDNEY, N.Y. 13858

CONTACT, SOCKET,  
 DIFFERENTIAL TWINAX,  
 TYPE M38999 I & III

SIZE C	CAGE CODE 77820	DOCUMENT NO. 21-033388-041	REV. B
SCALE: 8.0		REF. 21-33388-21	SHEET 1 OF 1