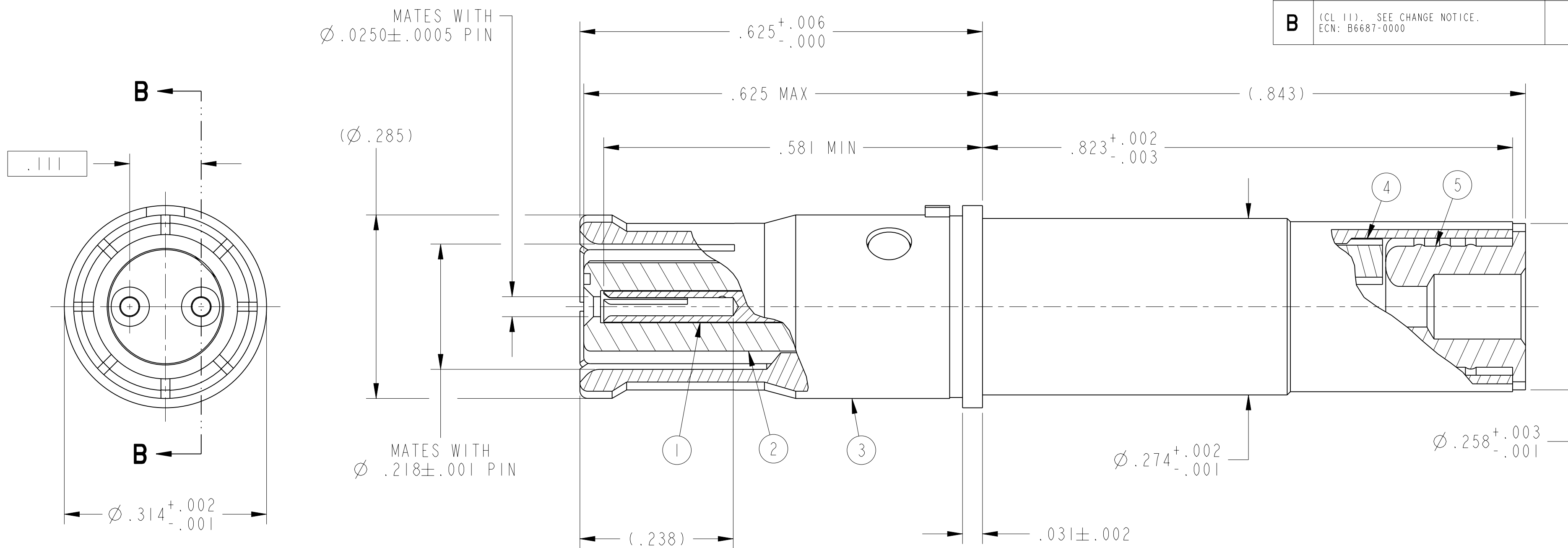


REV. B		SHEET 1 OF 1		DOCUMENT NO. 21-033388-091	
REVISIONS					
LTR	DESCRIPTION			DATE	
A	INITIAL RELEASE			16-Nov-2007	
B	(CL 11). SEE CHANGE NOTICE. ECN: B6687-0000			---	



PARTIAL SECTION B-B

7. MATES WITH M38999 DIFFERENTIAL TWINAX PINS 21-33387-().
6. CRIMPING TOOLS:
 OUTER CONTACT- M22520/5-01 TOOL, M22520/5-45 DIE SET (HEX CLOSURE A)
 INNER CONTACTS- M22520/2-01 TOOL, DANIELS K709 (M22520/2-37) POSITIONER
5. TERMINATES TWINAX CABLE JSFY11-24 (100 OHM) OR EQUIVALENT.
4. DRAWING ILLUSTRATES FINAL ASSEMBLY. CONTACT COMPONENTS ARE SHIPPED UNASSEMBLED
 INSTALLATION INSTRUCTIONS & PIGGYBACK GROMMET SEAL (NOT ILLUSTRATED) ARE
 PACKAGED WITH EACH ASSEMBLY. PACKAGE PER PRODUCTION PROCESS SHEET.
3. MATERIALS:
 OUTER & INNER CONTACTS- BERYLLIUM COPPER PER ASTM-B-196
 SHIELD FERRULE- BRASS PER ASTM B453 OR EQUIVALENT
 FRONT INSULATOR & SPACER INSULATOR- TFE RESIN PER AMS 3651 OR EQUIVALENT
2. FINISH:
 GOLD PLATED IN ACCORDANCE WITH SAE AS39029
 OVER NICKEL PLATE PER QQ-N-290 (.000050 MIN).
1. CONTACTS MEET THE ENVELOPE DIMENSIONAL REQUIREMENTS OF M39029/91.

NOTES:

THE USE OF THIS DOCUMENT IS UNLIMITED. HOWEVER, DOCUMENTS REFERENCED HEREON MAY CONTAIN LIMITED RIGHTS DATA.

10-628485-567X
NEXT ASSEMBLY

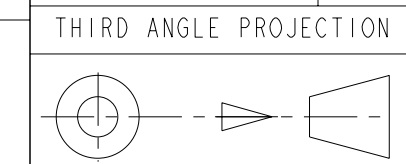
PRO/ENGINEER INFORMATION
Pro/e Model Used:
21-033388-091.ASSEM
Drawing Name:
21-033388-091

UNLESS OTHERWISE SPECIFIED
SPECIFICATIONS
LINEAR DIMENSIONS ARE IN INCHES
TOLERANCES:
.XXXX = ±.0005 ANGLES= ±2°
.XXX = ±.010
.XX = ±.03
.X = ±.1
DIM. & TOL. PER ASME Y14.5M;
DRM PER MIL-DTL-31000;
OTHER Amphenol Stds. PER 9-3800
LEGENDS:
= FLAG NOTE CALL OUT
REFERENCE ONLY

MATERIAL SPEC.
N/A
PROCESS SPEC.
N/A

POS	QTY	PART NUMBER	DESCRIPTION	NOTE
7	1	L-2119-BT	INSTALLATION INSTRUCTIONS	4
6	1	21-033321-005	PIGGYBACK GROMMET SEAL	4
5	1	21-033384-086	SHIELD FERRULE	
4	1	21-033382-005 OR 21-033382-025	SPACER INSULATOR	
3	1	21-033385-044	OUTER CONTACT	
2	1	21-033388-043	FRONT INSULATOR	
1	2	21-033385-022	INNER CONTACT	

APPROVALS		DATE
PREPARED BY	J. BORDEAU	14-Nov-07
ENGINEER IN CHARGE	D. PHILLIPS	
DESIGN MANAGER	H. JOHNSON	
DESIGN ACTIVITY GROUP	MIL-AERO DEVELOP	



AMPHENOL CORPORATION
40-60 DELAWARE AVENUE
SIDNEY, N.Y. 13858

**CONTACT, SOCKET,
DIFFERENTIAL TWINAX,
TYPE M38999 I & III**

SIZE C	CAGE CODE 77820	DOCUMENT NO. 21-033388-091	REV. B
SCALE: 8.0		REF. 21-033388-41	SHEET 1 OF 1

21-033388-091

SHEET 1 OF 1

REV. B

C

B

A

FORMAT: C-0-L-E-1

DOCUMENT NO. 21-033388-091

SHEET 1 OF 1

REV. B

RELEASE STATE Released

SHEET 1 OF 1

21-033388-091