

REV. A	SHEET 1 OF 1	DOCUMENT NO. 21-033397-031
REVISIONS		
LTR	DESCRIPTION	DATE
A	INITIAL RELEASE	

21-033397-031

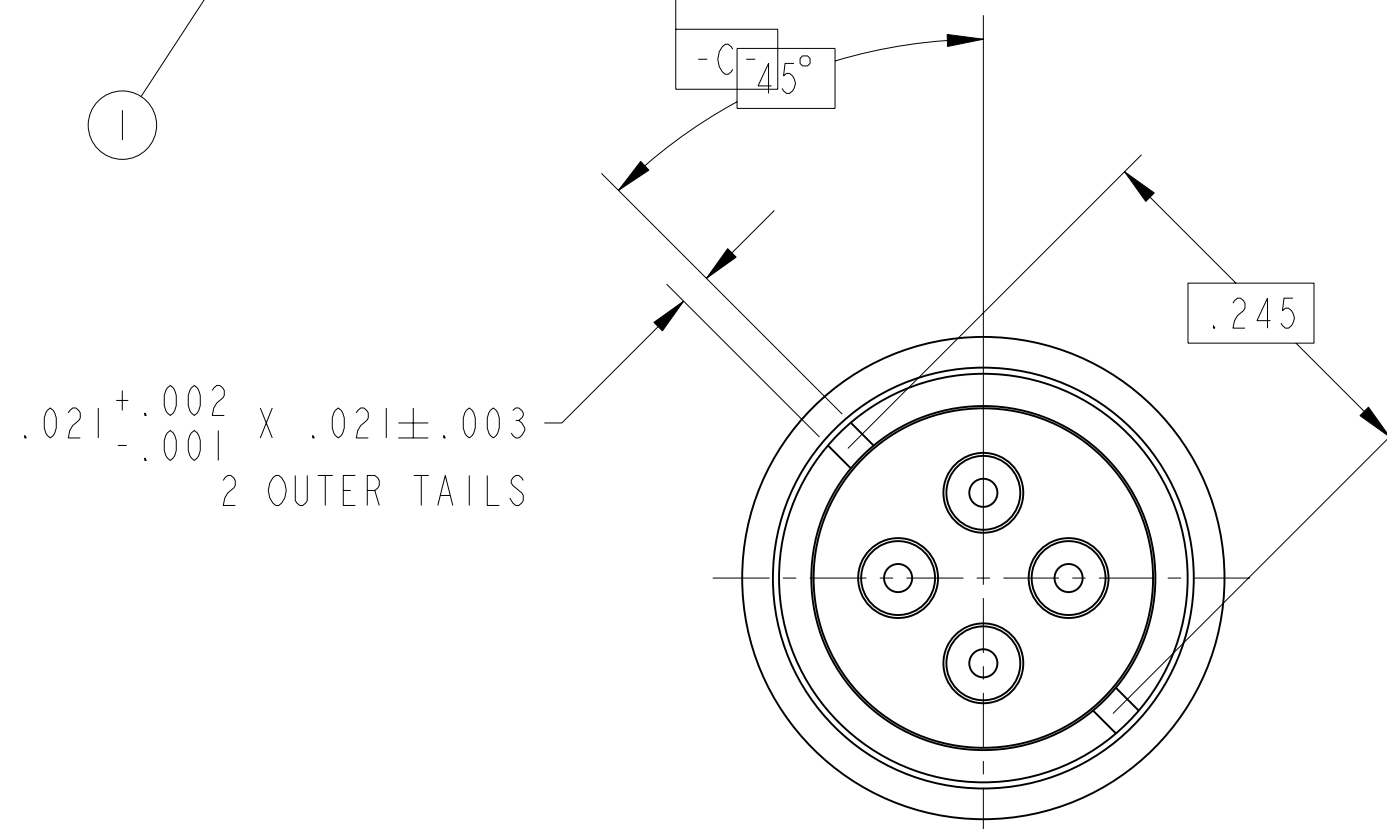
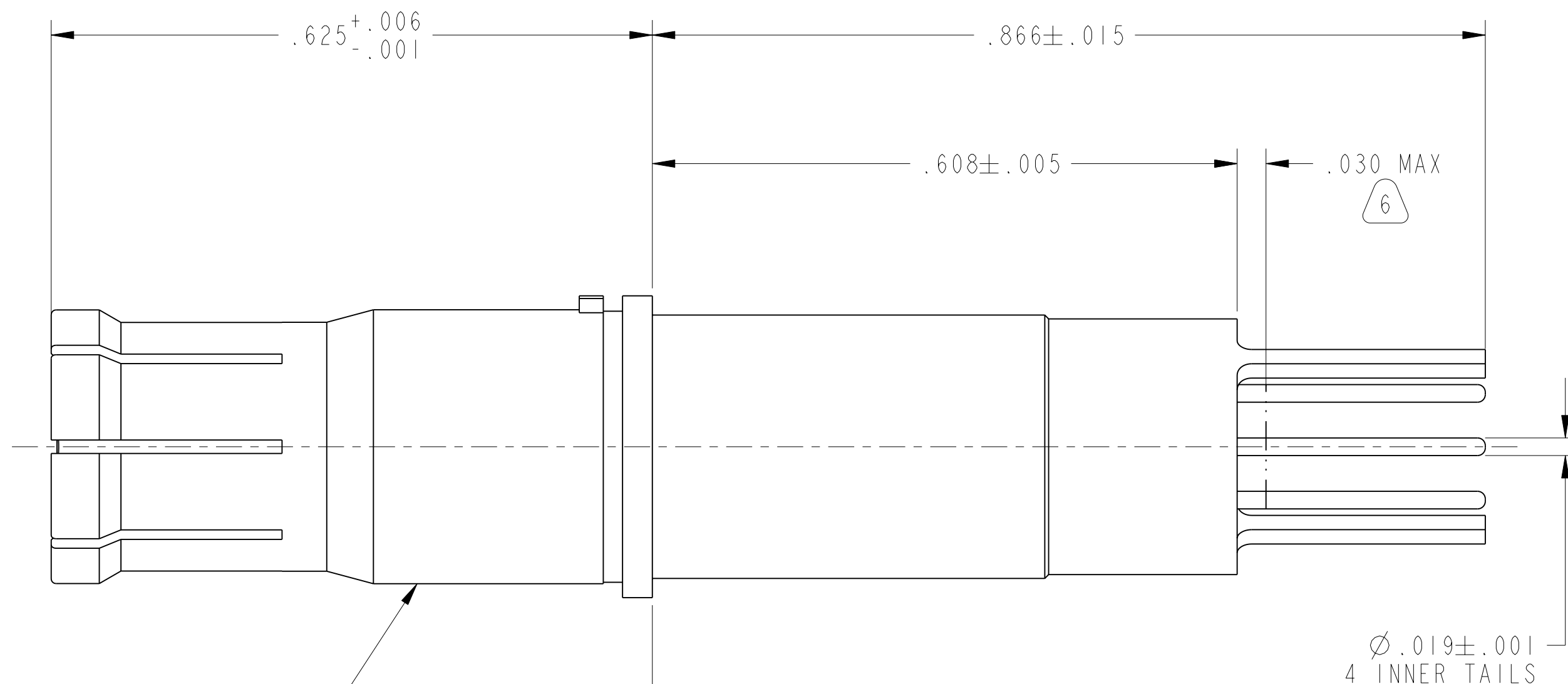
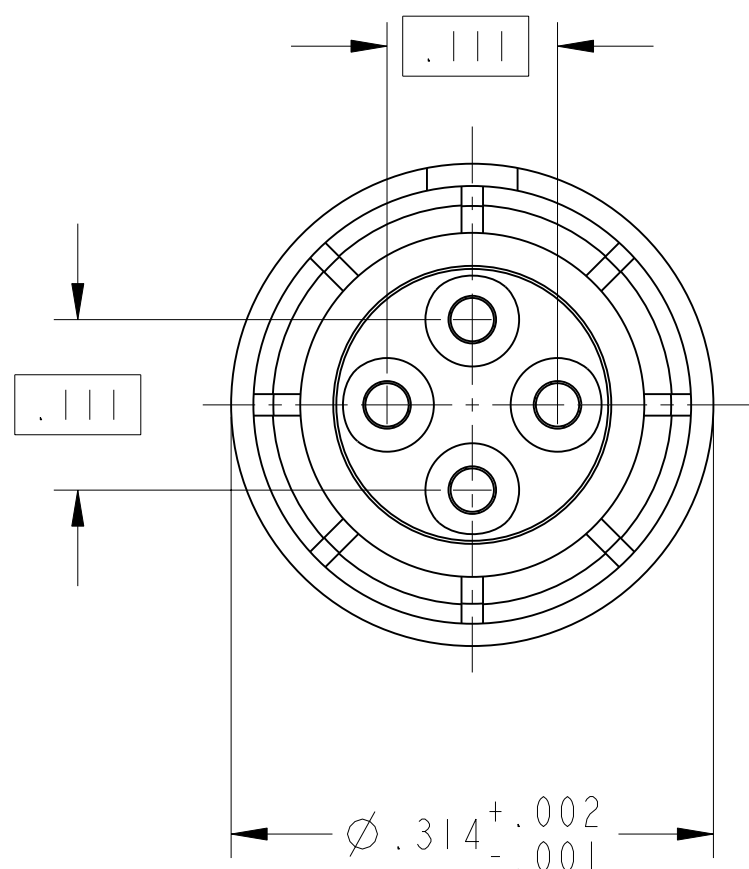
SHEET 1 OF 1

REV. A

C

B

A



VIEW AT R

6. EPOXY MAY BE PRESENT ON CONTACT TAILS IN INDICATED AREA.
5. MATES WITH M38999 QUADRAX PINS 21-33384-( ).
4. ALL DIMENSIONS ARE AFTER PLATING.
3. MATERIALS:  
OUTER & INNER CONTACTS- BERYLLIUM COPPER PER ASTM-B-196  
FRONT INSULATOR & SPACER INSULATOR- TFE RESIN PER AMS 3651
2. FINISH:  
GOLD PLATED PER MIL-G-45204 TYPE II, GRADE C, CLASS I (.000050 MIN)  
OVER NICKEL PLATE PER QQ-N-290 (.000050 MIN).
1. CONTACTS MEET THE ENVELOPE DIMENSIONAL REQUIREMENTS OF M39029/91.

NOTES:

THE USE OF THIS DOCUMENT IS UNLIMITED. HOWEVER, DOCUMENTS REFERENCED HEREON MAY CONTAIN LIMITED RIGHTS DATA.

TV00RGQF258SL  
NEXT ASSEMBLY

PRO/ENGINEER INFORMATION  
Pro/e Model Used:  
21-033397-031.ASSEM  
Drawing Name:  
21-033397-031

UNLESS OTHERWISE SPECIFIED	SPECIFICATIONS
LINEAR DIMENSIONS ARE IN INCHES TOLERANCES: .XXXX = ±.0005 ANGLES= ±2° .XXX = ±.010 .XX = ±.03 .X = ±.1	MATERIAL SPEC. N/A
DIM. & TOL. PER ASME Y14.5M; DRM PER MIL-DTL-31000; OTHER Amphenol Stds. PER 9-3800	PROCESS SPEC. N/A
LEGENDS: = FLAG NOTE CALL OUT REFERENCE ONLY	

POS	QTY	21-033397-31M	CONTACT, SOCKET, QUADRAX, PCB	NOTE
PARTS LIST				
APPROVALS				
PREPARED BY	RATCHFORD	DATE	27-Apr-05	
ENGINEER IN CHARGE	L. RATCHFORD			
DESIGN MANAGER	A. DAVIS			
DESIGN ACTIVITY GROUP	MIL AERO			
THIRD ANGLE PROJECTION				
SIZE	C	CAGE CODE	77820	DOCUMENT NO.
SCALE:	8.0	REF.	21-033397-021	SHEET 1 OF 1

AMPHENOL CORPORATION  
40-60 DELAWARE AVENUE  
SIDNEY, N.Y. 13858  
CONTACT, SOCKET, QUADRAX,  
ELECTRICAL CONNECTOR,  
TYPE M38999 I & II, PCB

21-033397-031

SHEET 1 OF 1

REV. A

C

B

A

21-033397-031