

REV. B	SHEET 1 OF 1	DOCUMENT NO. 21-033397-091
REVISIONS M		
LTR	DESCRIPTION	DATE
A	INITIAL RELEASE	7/29/16
B	(CL II) SEE CHG NOTICE ECN: C3607-0000	8/27/18

21-033397-091

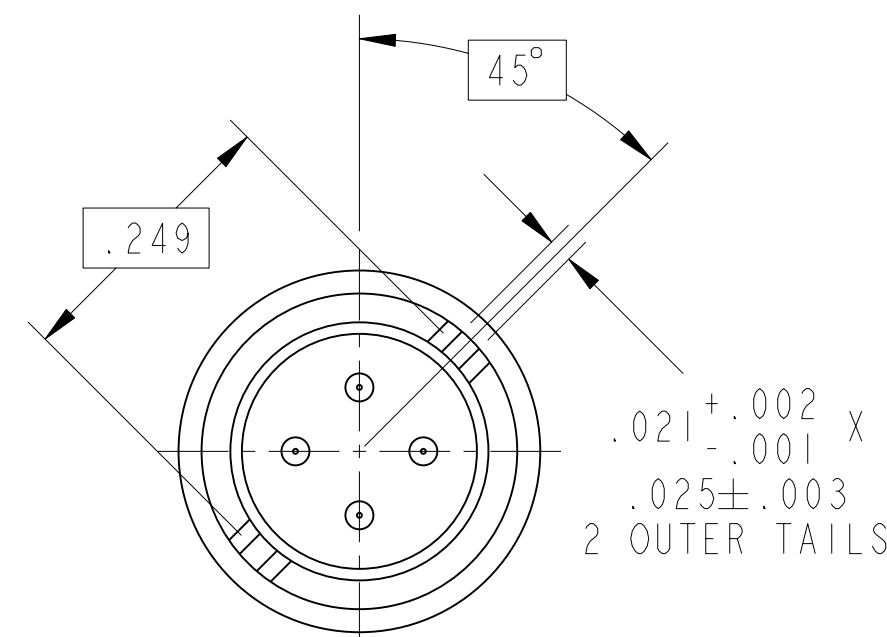
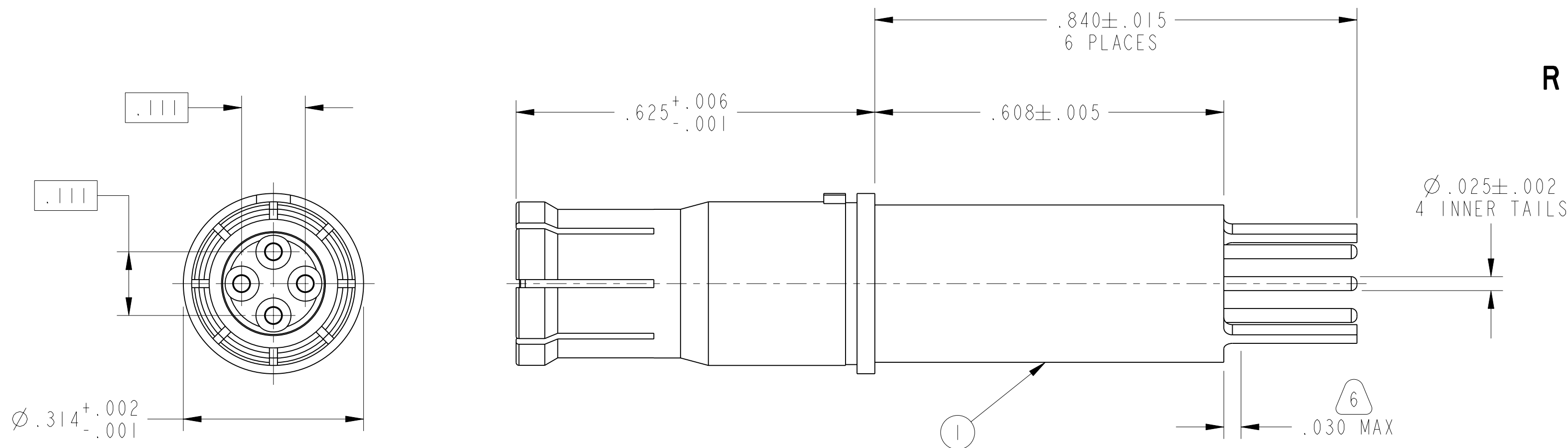
SHEET 1 OF 1

REV. B

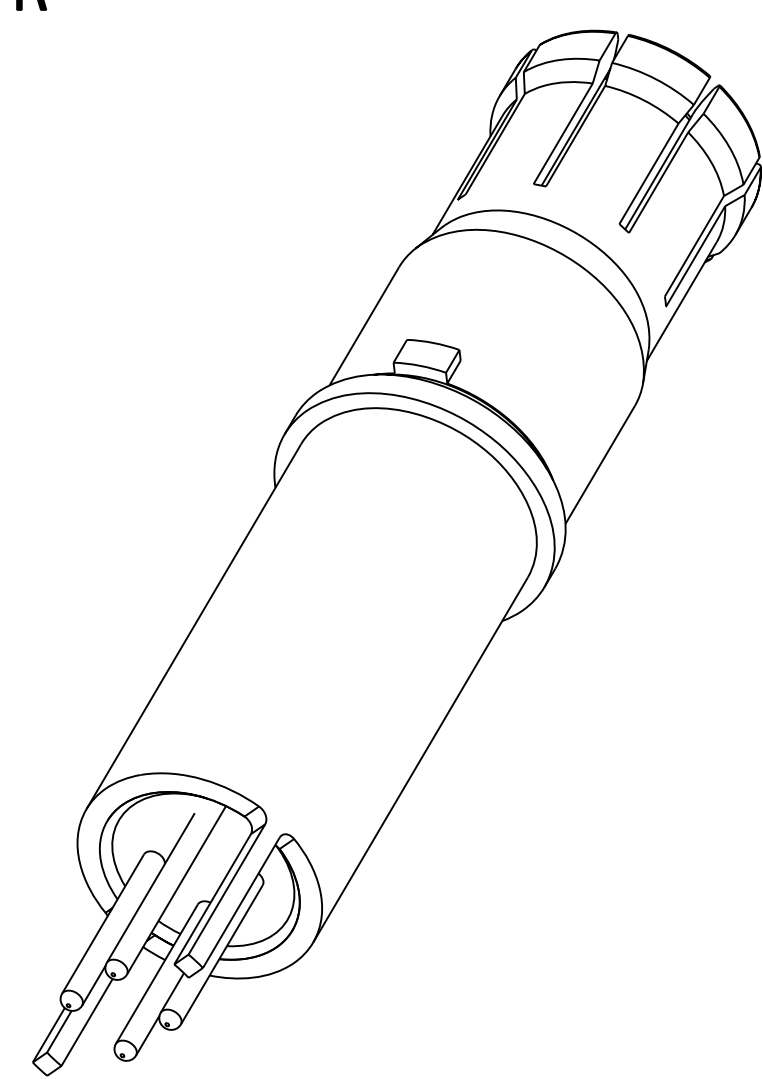
C

B

A



VIEW AT R-R



- 6 EPOXY MAY BE PRESENT ON CONTACT IN INDICATED AREA.
- 5. MATES WITH M38999 QUADRAX PINS 21-033384-( ) AND OTHERS.
- 4. ALL DIMENSIONS ARE AFTER PLATING AND PRETINNING.
- 3. MATERIALS:  
 OUTER AND INNER CONTACTS - BERYLLIUM COPPER PER ASTM-B-196  
 FRONT INSULATOR AND SPACER INSULATOR - TFE RESIN PER AMS 3651
- 2. FINISH:  
 GOLD PLATED PER MIL-G-45204 TYPE II, GRADE C, CLASS I (.000050 MIN)  
 OVER NICKEL PLATE PER QQ-N-290 (.000050 MIN).
- 1. CONTACTS MEET THE ENVELOPE DIMENSIONAL REQUIREMENTS OF M39029/91.

NOTES:

THE USE OF THIS DOCUMENT IS UNLIMITED. HOWEVER, DOCUMENTS REFERENCED HEREON MAY CONTAIN LIMITED RIGHTS DATA.

NONE NEXT ASSEMBLY

PRO/ENGINEER INFORMATION  
 Pro/e Model Used:  
 21-033397-091.ASSEM  
 Drawing Name:  
 21-033397-091

UNLESS OTHERWISE SPECIFIED LINEAR DIMENSIONS ARE IN INCHES TOLERANCES: .XXXX = ±.0005 ANGLES= ±2° .XXX = ±.010 .XX = ±.03 .X = ±.1 DIM. & TOL. PER ASME Y14.5M; DRM PER MIL-STD-31000; OTHER Amphenol Stds. PER 9-3800 LEGENDS: =FLAG NOTE CALL OUT REFERENCE ONLY	SPECIFICATIONS MATERIAL SPEC. NONE PROCESS SPEC. NONE	POS	QTY	PART NUMBER	DESCRIPTION	NOTE
		PARTS LIST				
		APPROVALS	DATE	AMPHENOL CORPORATION 40-60 DELAWARE AVENUE SIDNEY, N.Y. 13858		
		PREPARED BY RATCHFORD	08-Jul-16	CONTACT, SOCKET, QUADRAX, ELECTRICAL CONNECTOR, TYPE M38999 I & III, CLOCKWISE PCB		
		ENGINEER IN CHARGE RATCHFORD				
		DESIGN MANAGER E. HICKEY				
		DESIGN ACTIVITY GROUP MIL AERO DEVELOP	THIRD ANGLE PROJECTION			
		CAGE CODE 77820		DOCUMENT NO. 21-033397-091	REV. B	
		SCALE: 6.0	REF. 21-033397-291	SHEET 1 OF 1		

FORMAT: C-U-E-I

DOCUMENT NO. 21-033397-091

SHEET 1 OF 1

REV. B

21-033397-091 SHEET 1 OF 1 REV. B Eng PDM Information For Reference Only