

REV. A		SHEET 1 OF 1		DOCUMENT NO. 21-033397-151	
REVISIONS					
LTR	DESCRIPTION			DATE	
A	INITIAL RELEASE			-	

21-033397-151

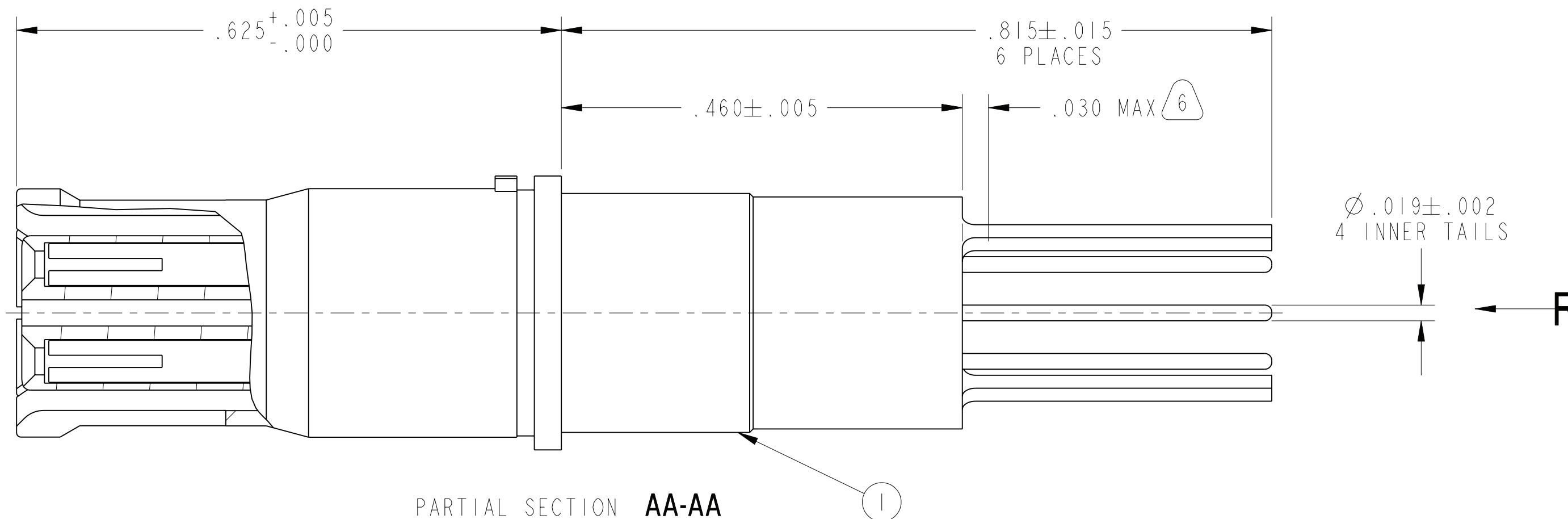
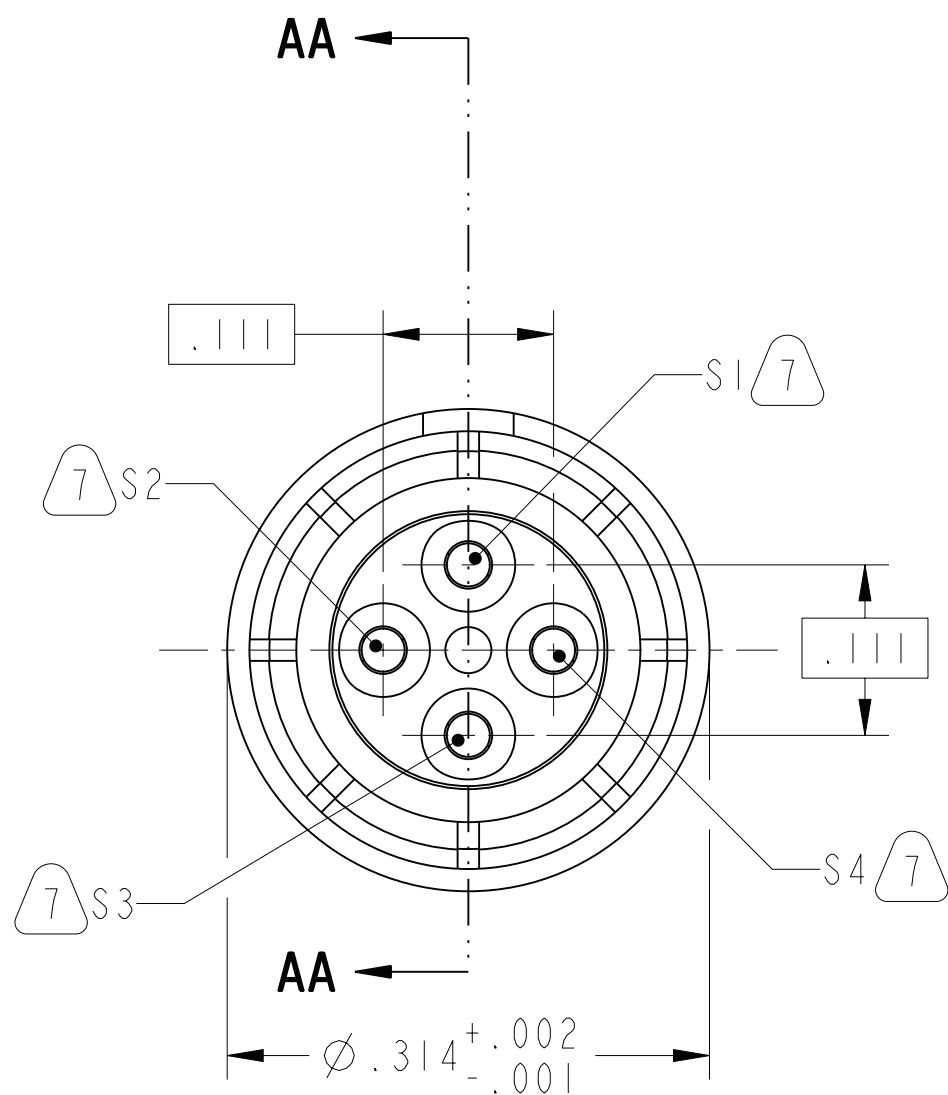
SHEET 1 OF 1

REV. A

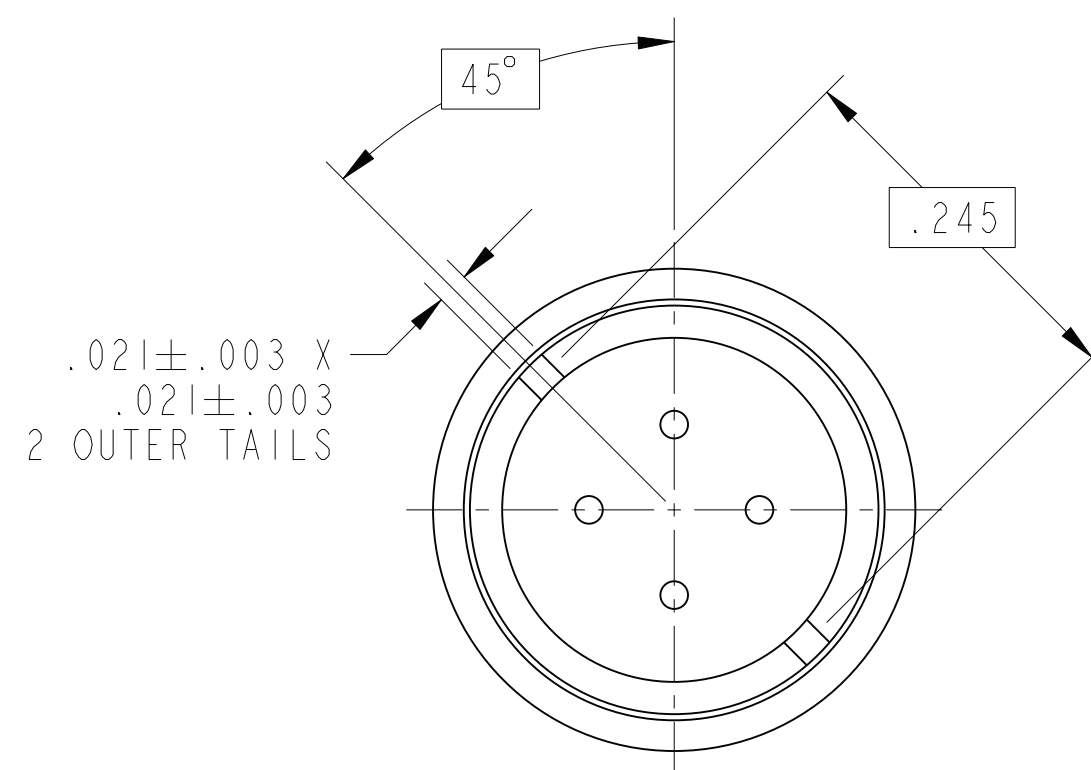
C

B

A



PARTIAL SECTION AA-AA



VIEW AT R

8. DIFFERENTIAL PAIRS:
PAIR #1: S1-S3
PAIR #2: S2-S4
7. AMPHENOL RECOMMENDED INNER CONTACT IDENTIFICATION NUMBERING.
6. EPOXY MAY BE PRESENT ON CONTACT TAILS IN INDICATED AREA.
5. MATES WITH M38999 QUADRAX PINS 21-033384-().
4. ALL DIMENSIONS ARE AFTER PLATING.
3. MATERIALS:
OUTER & INNER CONTACTS- BERYLLIUM COPPER PER ASTM-B-196
FRONT INSULATOR & SPACER INSULATOR- TFE RESIN PER AMS 3651
2. FINISH:
GOLD PLATED PER MIL-G-45204 TYPE II, GRADE C, CLASS I (.000050 MIN)
OVER NICKEL PLATE PER QQ-N-290 (.000050 MIN).
1. CONTACTS MEET THE ENVELOPE DIMENSIONAL REQUIREMENTS OF M39029/91.

NOTES:

THE USE OF THIS DOCUMENT IS UNLIMITED. HOWEVER, DOCUMENTS REFERENCED HEREON MAY CONTAIN LIMITED RIGHTS DATA.

10-628485-310()

NEXT ASSEMBLY

PRO/ENGINEER INFORMATION

Pro/e Model Used:
21-033397-151.ASSEM
Drawing Name:
21-033397-151

UNLESS OTHERWISE SPECIFIED	SPECIFICATIONS
LINEAR DIMENSIONS ARE IN INCHES TOLERANCES: .XXXX = ±.0005 ANGLES= ±2° .XXX = ±.010 .XX = ±.03 .X = ±.1	MATERIAL SPEC. N/A
DIM. & TOL. PER ASME Y14.5M; DRM PER MIL-DTL-31000; OTHER Amphenol Stds. PER 9-3800	PROCESS SPEC. N/A
LEGENDS: = FLAG NOTE CALL OUT REFERENCE ONLY	

POS	QTY	21-033397-151M	CONTACT, SOCKET, QUAD, PCB	NOTE
PARTS LIST				
APPROVALS				
PREPARED BY	D. PHILLIPS	DATE		
ENGINEER IN CHARGE	L. RATCHFORD	05-Dec-11		
DESIGN MANAGER	A. DAVIS			
DESIGN ACTIVITY GROUP	MIL AERO			
THIRD ANGLE PROJECTION				
SIZE	C	CAGE CODE	77820	DOCUMENT NO.
SCALE:	8.0	REF.	21-033397-141	21-033397-151
				SHEET 1 OF 1

AMPHENOL CORPORATION
40-60 DELAWARE AVENUE
SIDNEY, N.Y. 13858

**CONTACT, SOCKET, QUADRAX,
ELECTRICAL CONNECTOR,
TYPE M38999 I & III, PCB**

RELEASED / Dec. 20 2011, 3:01:25 PM

DOCUMENT NO. 21-033397-151

SHEET 1 OF 1

REV. A

VERSION 4

REVISION A

Eng. PDM Information For Reference Only

REV. A

SHEET 1 OF 1

DOCUMENT NO. 21-033397-151