

REV. A	SHEET 1 OF 1	DOCUMENT NO. 21-033397-221
REVISIONS		
LTR	DESCRIPTION	DATE
A	INITIAL RELEASE	-

21-033397-221

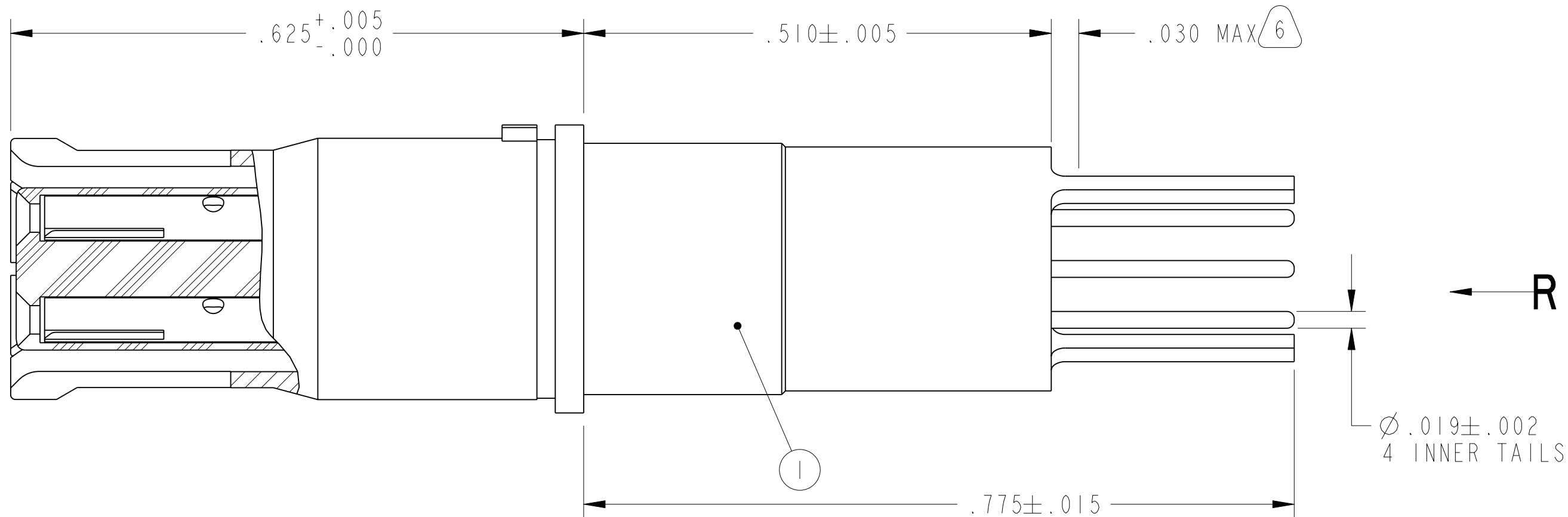
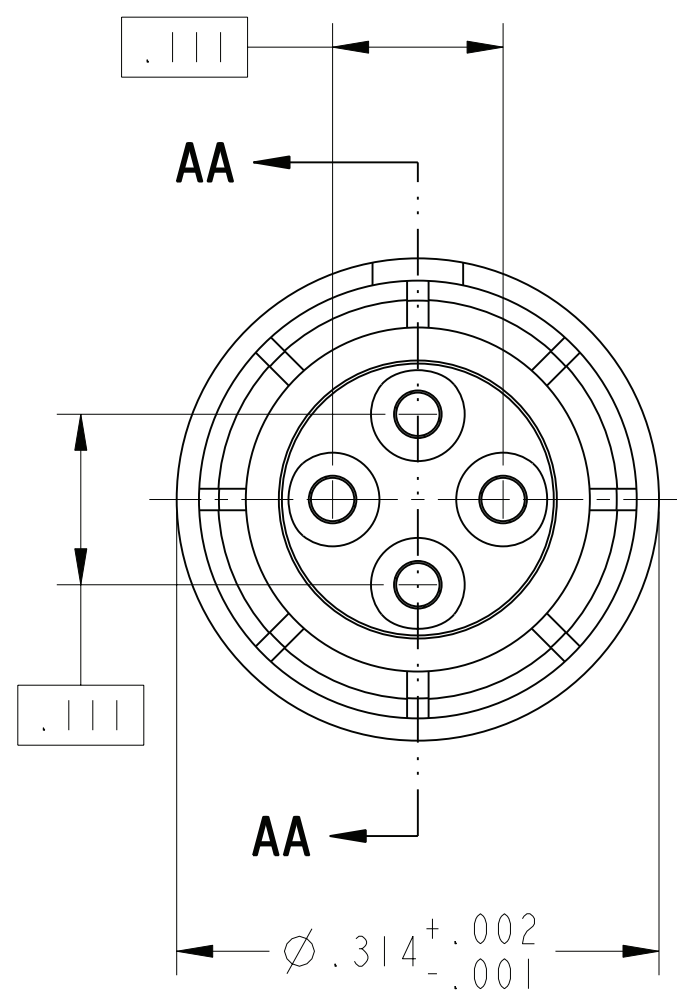
SHEET 1 OF 1

REV. A

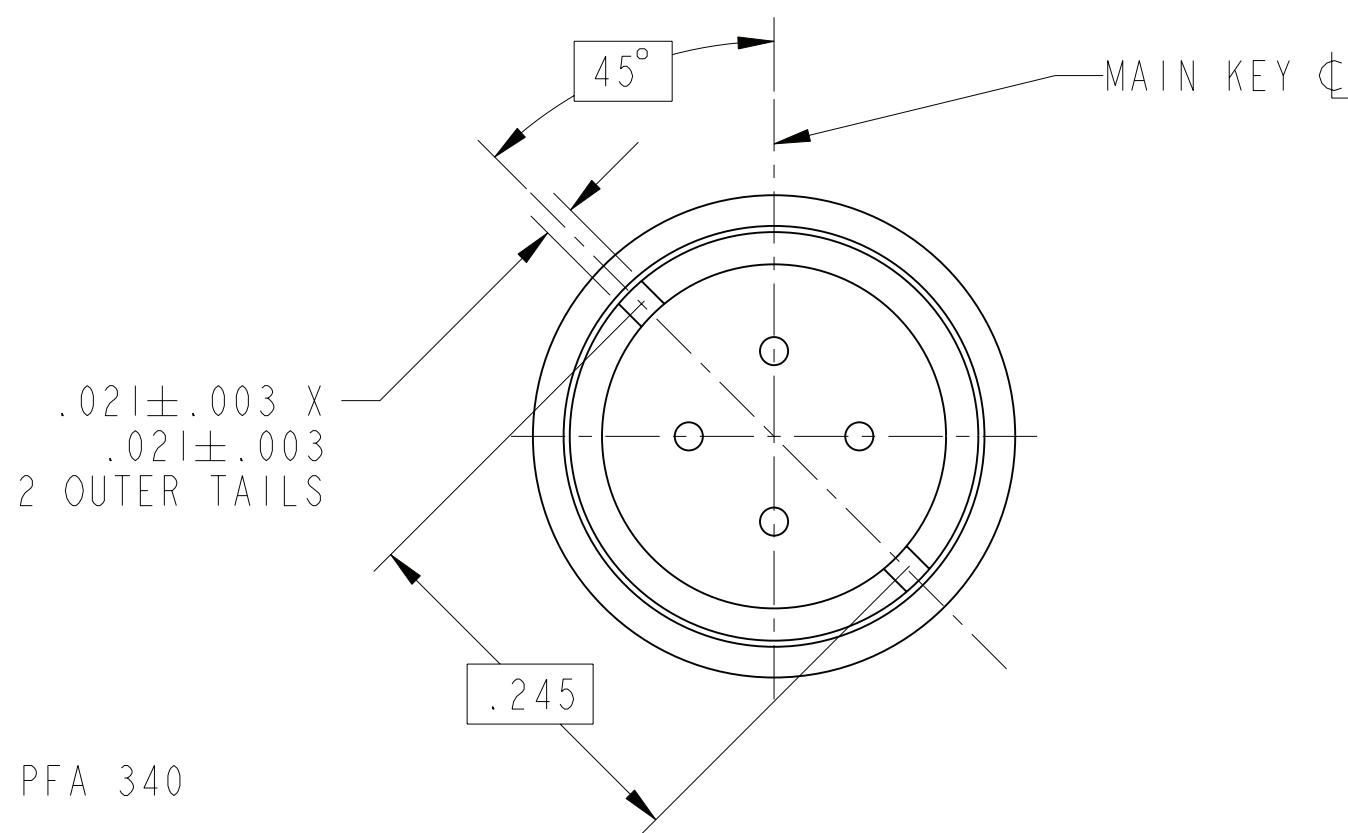
C

B

A



PARTIAL SECTION AA-AA



VIEW AT R

- 6. EPOXY MAY BE PRESENT ON CONTACT TAILS IN INDICATED AREA.
- 5. MATES WITH M38999 QUADRAX PINS 21-033384-().
- 4. ALL DIMENSIONS ARE AFTER PLATING.
- 3. MATERIALS:
 OUTER & INNER CONTACTS- BERYLLIUM COPPER PER ASTM-B-196
 FRONT INSULATOR & SPACER INSULATOR- TFE RESIN PER AMS 3651 OR PFA 340
- 2. FINISH:
 GOLD PLATED PER MIL-G-45204 TYPE II, GRADE C, CLASS I (.000050 MIN)
 OVER NICKEL PLATE PER QQ-N-290 (.000050 MIN).
- 1. CONTACTS MEET THE ENVELOPE DIMENSIONAL REQUIREMENTS OF M39029/91.

NOTES:

THE USE OF THIS DOCUMENT IS UNLIMITED. HOWEVER, DOCUMENTS REFERENCED HEREON MAY CONTAIN LIMITED RIGHTS DATA.

PRO/ENGINEER INFORMATION

Pro/e Model Used:
21-033397-221.ASSEM
Drawing Name:
21-033397-221

10-628485-365X

NEXT ASSEMBLY

UNLESS OTHERWISE SPECIFIED		SPECIFICATIONS	
POS	QTY	PART NUMBER	DESCRIPTION
I	I	21-033397-221M	CONTACT, SOCKET, QUAD, PCB
PARTS LIST			
<p>APPROVALS</p> <p>PREPARED BY: E. PLACE</p> <p>ENGINEER IN CHARGE: L. RATCHFORD</p> <p>DESIGN MANAGER: H. JOHNSON</p> <p>DESIGN ACTIVITY GROUP: MIL-AERO DEVELOP</p> <p>DATE: 29-Nov-05</p>			
<p>AMPHENOL CORPORATION</p> <p>40-60 DELAWARE AVENUE</p> <p>SIDNEY, N.Y. 13858</p>			
<p>CONTACT, SOCKET, QUADRAX,</p> <p>ELECTRICAL CONNECTOR,</p> <p>100 OHM, TYPE M38999 I & III, PCB</p>			
SIZE	CAGE CODE	DOCUMENT NO.	REV.
C	77820	21-033397-221	A
SCALE: 8.0	REF. 21-033397-181	SHEET 1 OF 1	

RELEASED / Feb . 26 2009, 09:32 AM

DOCUMENT NO. 21-033397-221

SHEET 1 OF 1

REV. A

21-033397-221

SHEET 1 OF 1

REV. A

C

B

A

21-033397-221

REV. A