

REV. A	SHEET 1 OF 1	DOCUMENT NO. 21-033397-251
REVISIONS M		
LTR	DESCRIPTION	DATE
A	INITIAL RELEASE	3/27/19

21-033397-251

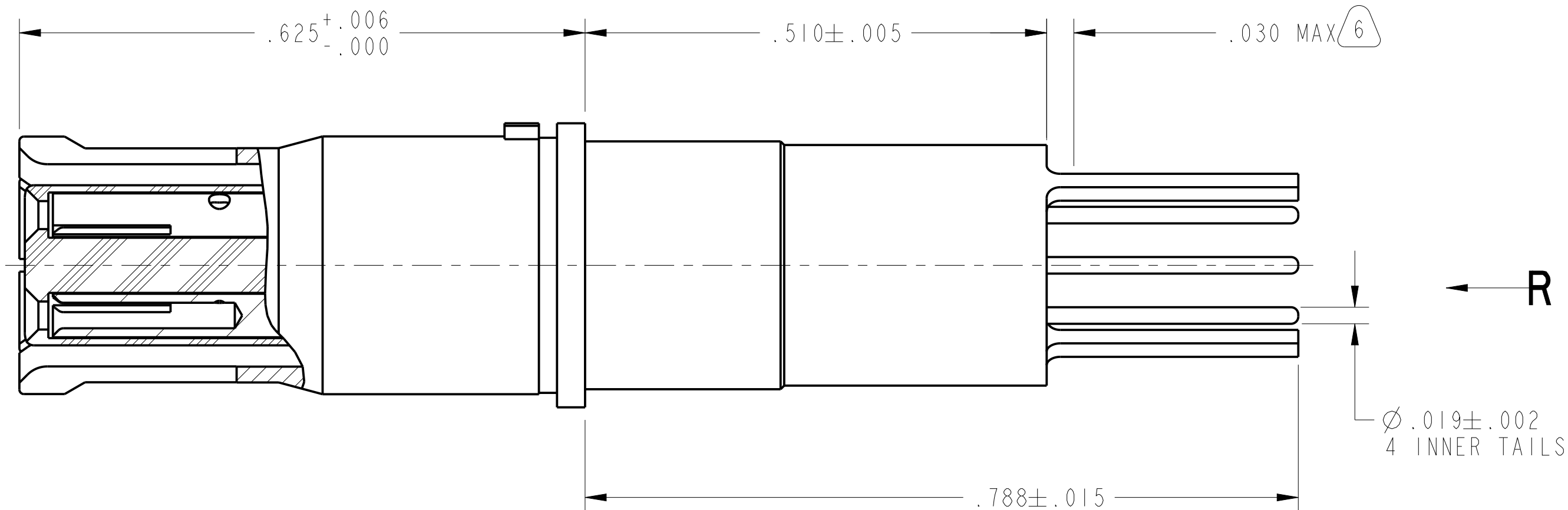
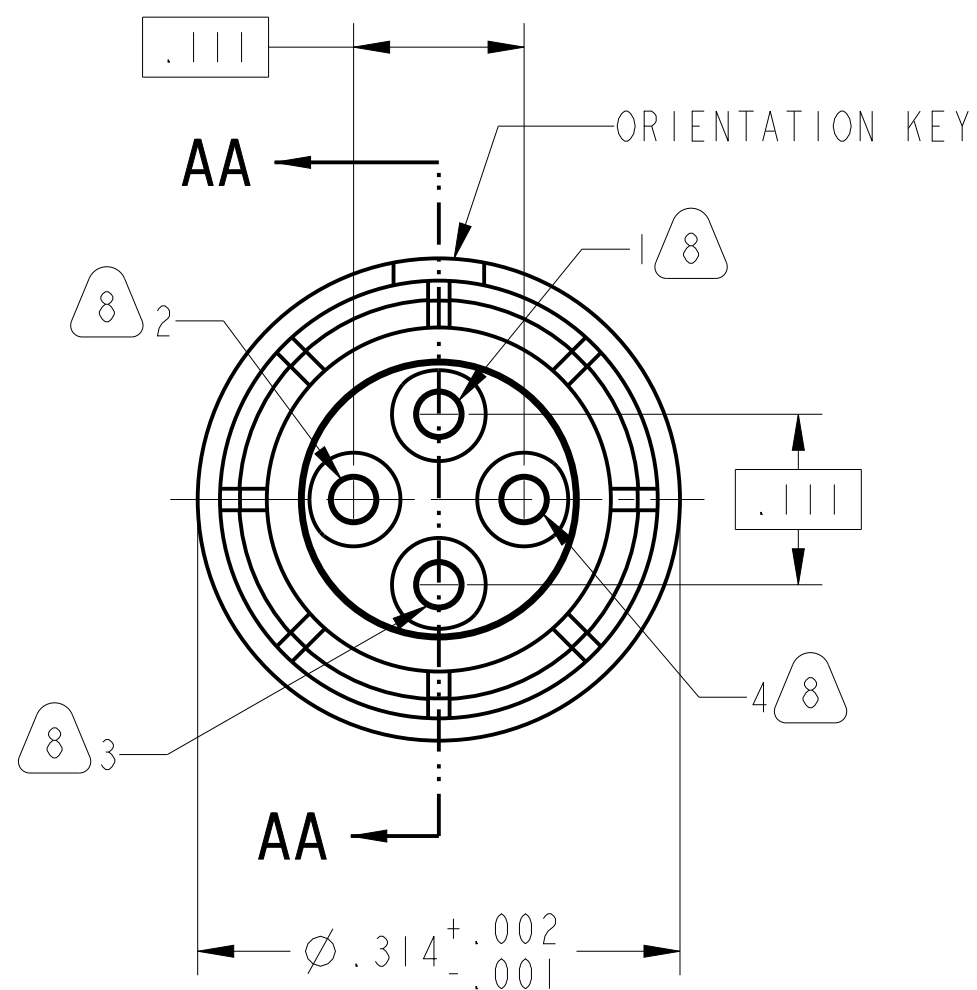
SHEET 1 OF 1

REV. A

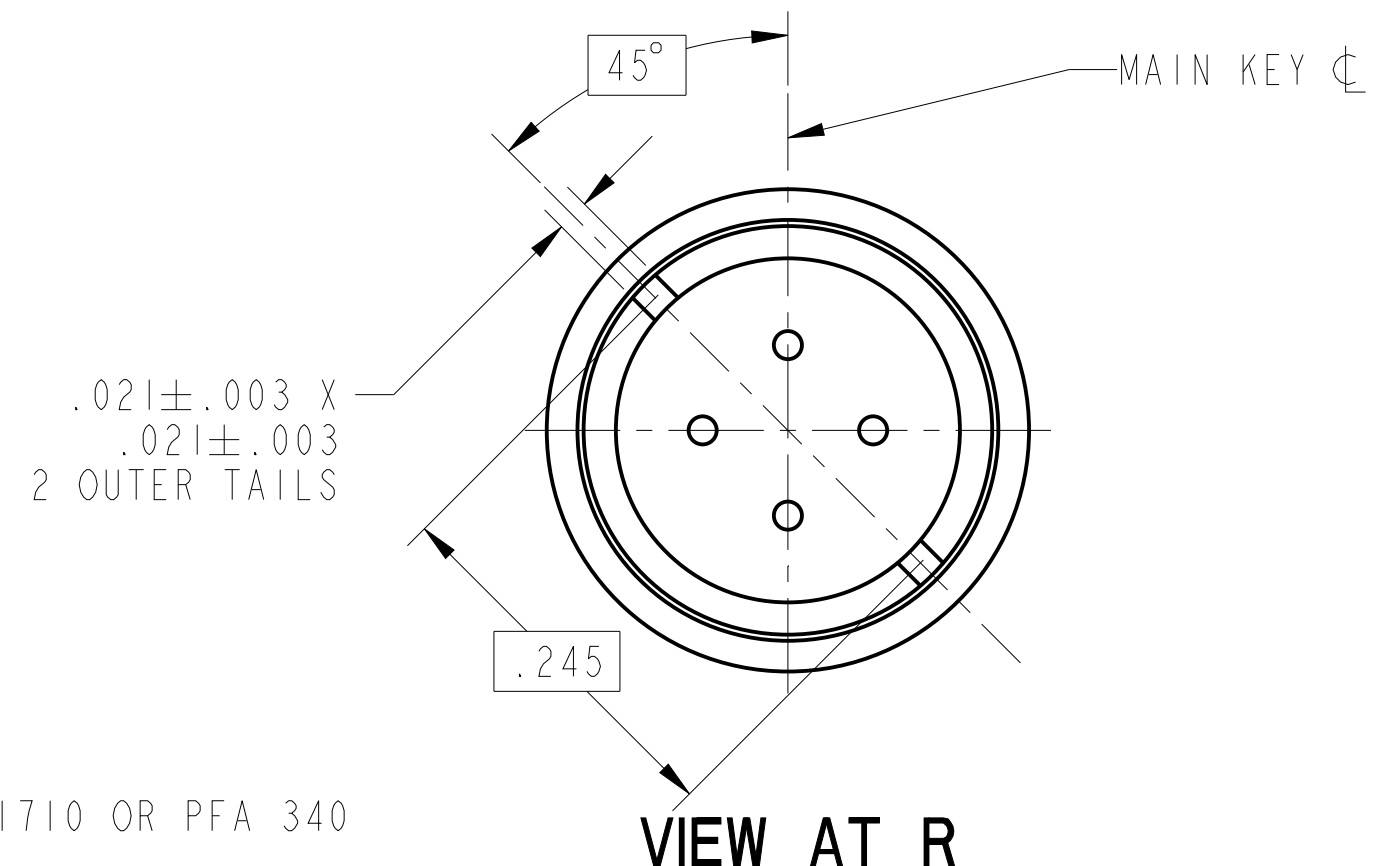
C

B

A



PARTIAL SECTION AA-AA



VIEW AT R

- 8. AMPHENOL RECOMMENDED INNER CONTACT IDENTIFICATION NUMBERING.
- 7. DIFFERENTIAL PAIRS:
PAIR #1: 1-3
PAIR #2: 2-4
- 6. EPOXY MAY BE PRESENT ON CONTACT TAILS IN INDICATED AREA.
- 5. MATES WITH D38999 QUADRAX PINS 21-033384-().
- 4. ALL DIMENSIONS ARE AFTER PLATING.
- 3. MATERIALS:
OUTER & INNER CONTACTS- BERYLLIUM COPPER PER ASTM-B-196
FRONT INSULATOR & SPACER INSULATOR- TFE RESIN PER AMS 3651 OR ASTM D1710 OR PFA 340
- 2. FINISH:
GOLD PLATED PER MIL-G-45204 TYPE II, GRADE C, CLASS I (.000050 MIN)
OVER NICKEL PLATE PER QQ-N-290 (.000050 MIN).
- 1. CONTACTS MEET THE ENVELOPE DIMENSIONAL REQUIREMENTS OF AS39029/91.

NOTES:

THE USE OF THIS DOCUMENT IS UNLIMITED. HOWEVER, DOCUMENTS REFERENCED HEREON MAY CONTAIN LIMITED RIGHTS DATA.

10-628485-127X
NEXT ASSEMBLY

PRO/ENGINEER INFORMATION
 Pro/e Model Used:
 21-033397-251.ASSEM
 Drawing Name:
 21-033397-251

UNLESS OTHERWISE SPECIFIED LINEAR DIMENSIONS ARE IN INCHES TOLERANCES: .XXXX = ±.0005 ANGLES= ±2° .XXX = ±.010 .XX = ±.03 .X = ±.1 DIM. & TOL. PER ASME Y14.5M; DRM PER MIL-DTL-31000; OTHER Amphenol Stds. PER 9-3800 LEGENDS: =FLAG NOTE CALL OUT REFERENCE ONLY	SPECIFICATIONS	POS	QTY	PART NUMBER	DESCRIPTION	NOTE
	MATERIAL SPEC.	APPROVALS		DATE	PARTS LIST	
	NONE	PREPARED BY	RATCHFORD	27-Mar-19	AMPHENOL CORPORATION 40-60 DELAWARE AVENUE SIDNEY, N.Y. 13858	
	PROCESS SPEC.	ENGINEER IN CHARGE	RATCHFORD		CONTACT, SOCKET, QUADRAX, ELECTRICAL CONNECTOR, 100 OHM, TYPE D38999 I & III, PCB	
NONE	DESIGN MANAGER	D. WILDING	DESIGN ACTIVITY GROUP		C2	THIRD ANGLE PROJECTION
		THIRD ANGLE PROJECTION		SIZE	CAGE CODE	DOCUMENT NO.
				C	77820	21-033397-251
				SCALE: 8.0	REF. 21-033397-791	SHEET 1 OF 1

21-033397-251

SHEET 1 OF 1

REV. A

C

B

A

21-033397-251