

REV. A	SHEET 1 OF 1	DOCUMENT NO. 21-033397-301
REVISIONS		
LTR	DESCRIPTION	DATE
A	INITIAL RELEASE	-

21-033397-301

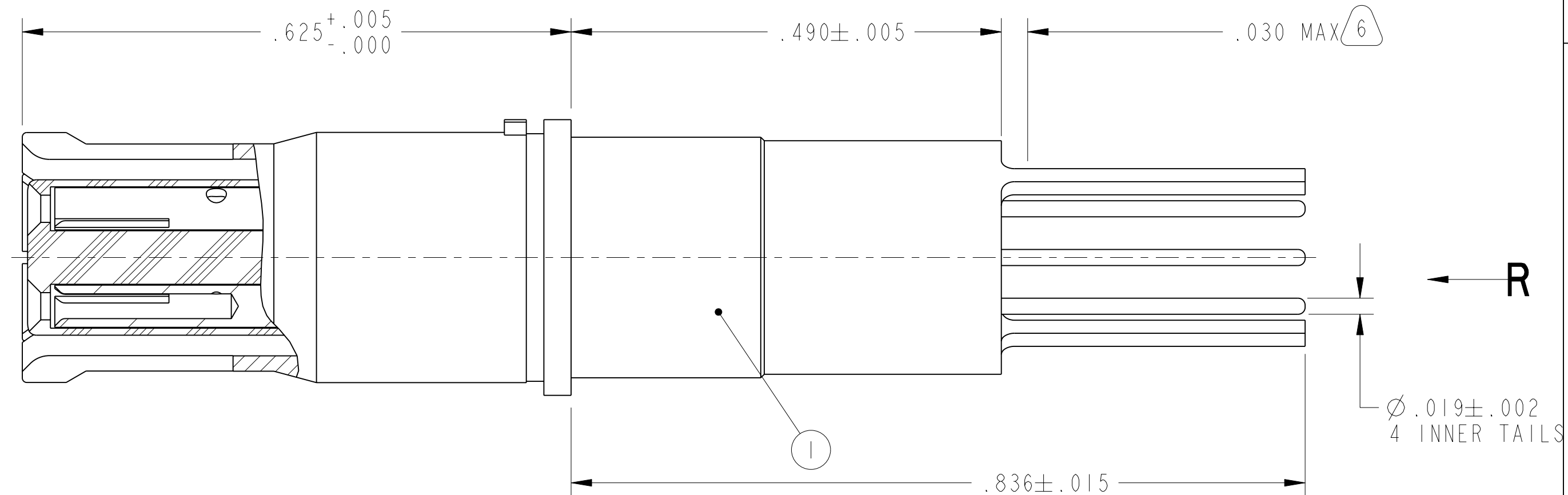
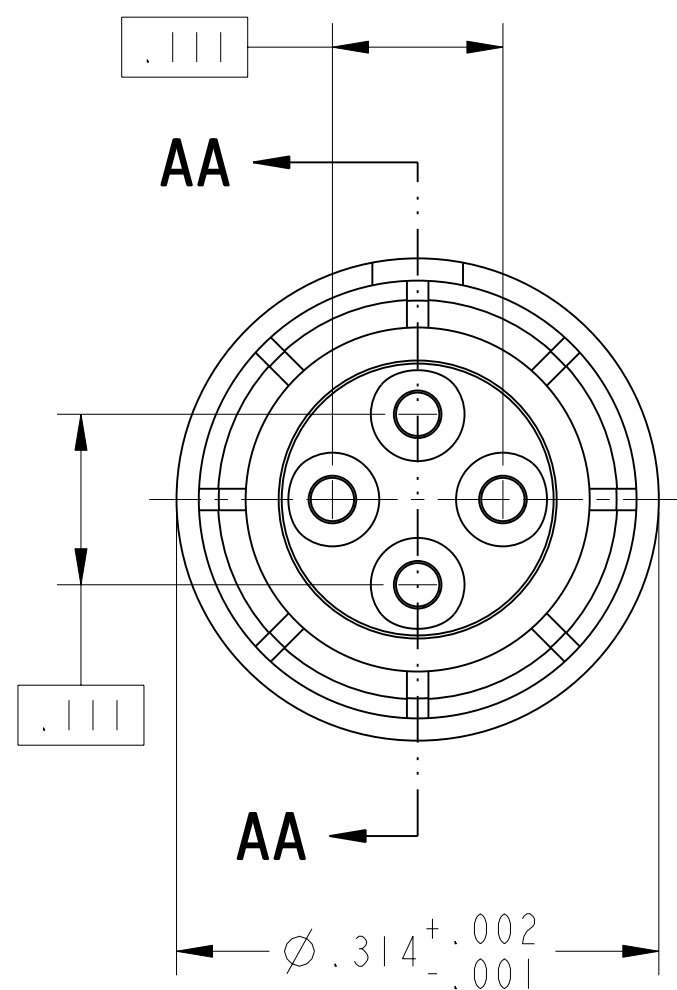
SHEET 1 OF 1

REV. A

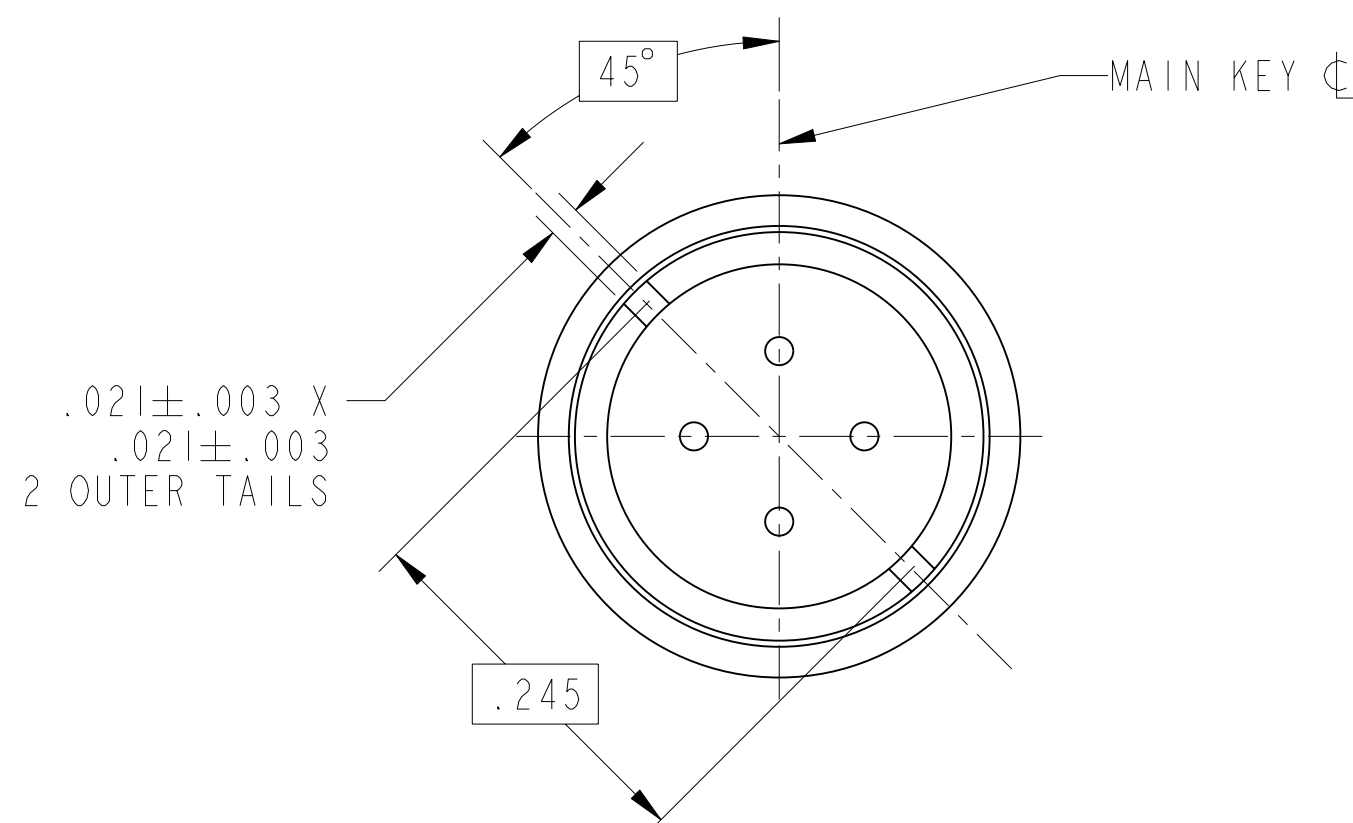
C

B

A



PARTIAL SECTION AA-AA



VIEW AT R

- 6. EPOXY MAY BE PRESENT ON CONTACT TAILS IN INDICATED AREA.
- 5. MATES WITH M38999 QUADRAX PINS 21-033384-( ).
- 4. ALL DIMENSIONS ARE AFTER PLATING.
- 3. MATERIALS:  
OUTER & INNER CONTACTS- BERYLLIUM COPPER PER ASTM-B-196  
FRONT INSULATOR & SPACER INSULATOR- TFE RESIN PER AMS 3651
- 2. FINISH:  
GOLD PLATED PER MIL-G-45204 TYPE II, GRADE C, CLASS I (.000050 MIN)  
OVER NICKEL PLATE PER QQ-N-290 (.000050 MIN).
- 1. CONTACTS MEET THE ENVELOPE DIMENSIONAL REQUIREMENTS OF M39029/91.

NOTES:

THE USE OF THIS DOCUMENT IS UNLIMITED. HOWEVER, DOCUMENTS REFERENCED HEREON MAY CONTAIN LIMITED RIGHTS DATA.

RELEASED / Oct . 11 2006, 01:33 PM	DOCUMENT NO. 21-033397-301	SHEET 1 OF 1	REV. A
------------------------------------	----------------------------	--------------	--------

10-628485-449X	NEXT ASSEMBLY
----------------	---------------

PRO/ENGINEER INFORMATION
Pro/e Model Used:
21-033397-301.ASSEM
Drawing Name:
21-033397-301

UNLESS OTHERWISE SPECIFIED	SPECIFICATIONS
LINEAR DIMENSIONS ARE IN INCHES TOLERANCES: .XXXX = $\pm .0005$ ANGLES = $\pm 2^\circ$ .XXX = $\pm .010$ .XX = $\pm .03$ .X = $\pm .1$	MATERIAL SPEC. N/A
DIM. & TOL. PER ASME Y14.5M; DRM PER MIL-DTL-31000; OTHER Amphenol Stds. PER 9-3800	PROCESS SPEC. N/A
LEGENDS: = FLAG NOTE CALL OUT REFERENCE ONLY	

I	I	21-033397-301M	CONTACT, SOCKET, QUAD, PCB	
POS	QTY	PART NUMBER	DESCRIPTION	NOTE
PARTS LIST				
<b>AMPHENOL CORPORATION</b> 40-60 DELAWARE AVENUE SIDNEY, N.Y. 13858				
<b>CONTACT, SOCKET, QUADRAX, ELECTRICAL CONNECTOR, 100 OHM, TYPE M38999 I &amp; III, PCB</b>				
SIZE	CAGE CODE	DOCUMENT NO.	REV.	
C	77820	21-033397-301	A	
SCALE: 8.0	REF. 21-033397-281	SHEET 1 OF 1		

21-033397-301

SHEET 1 OF 1

REV. A

C

B

A

21-033397-301