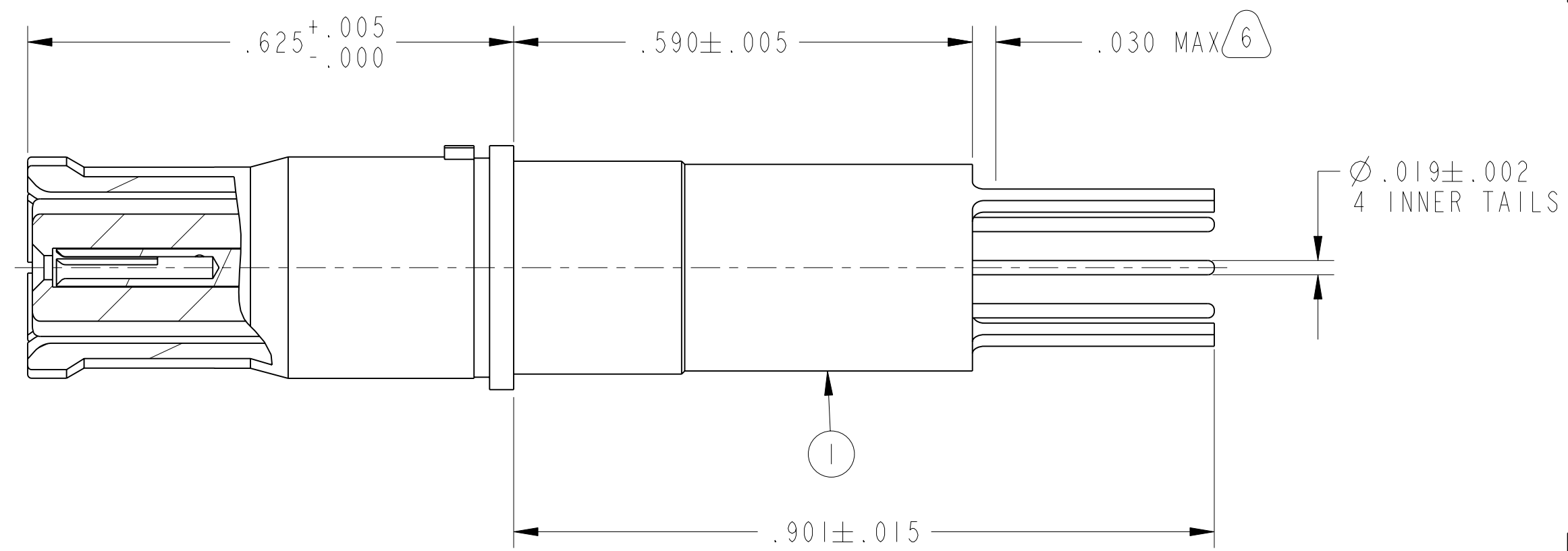
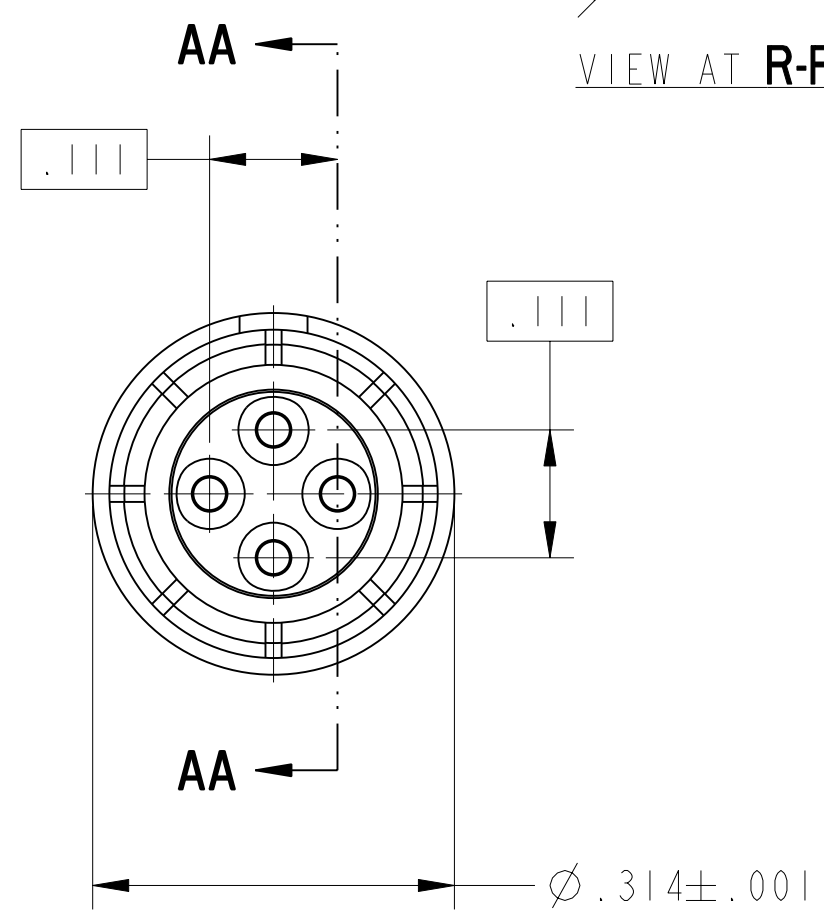
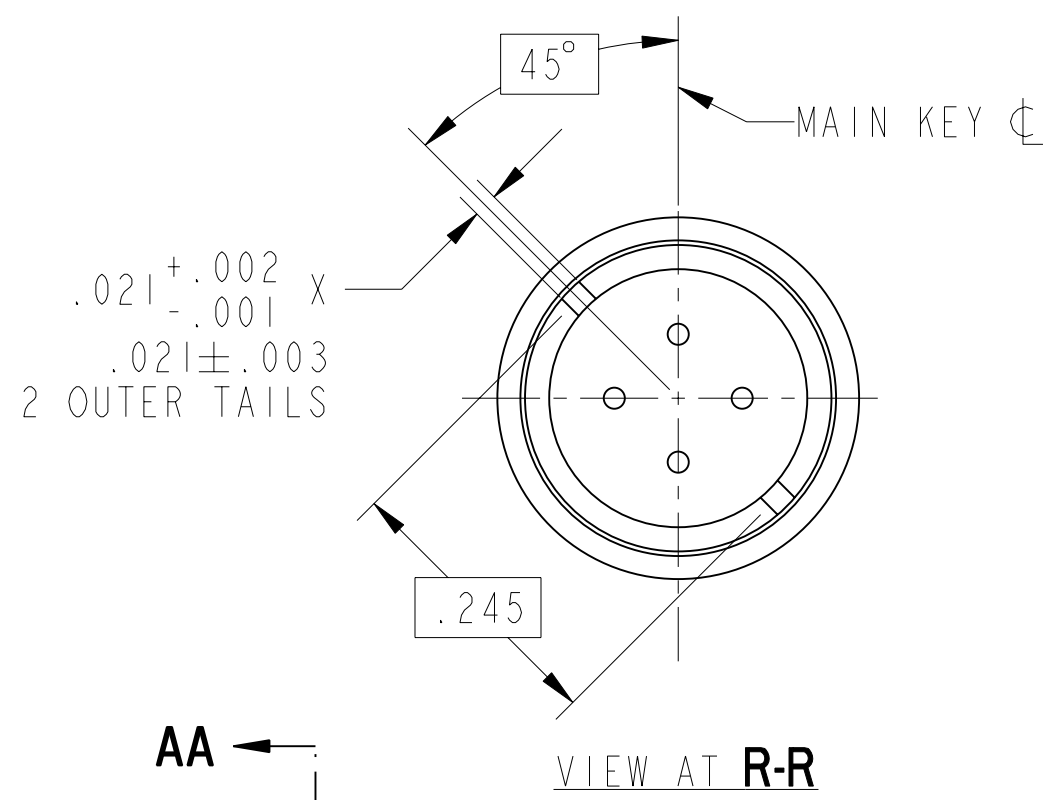


| | | |
|-----------|-----------------|----------------------------|
| REV. A | SHEET 1 OF 1 | DOCUMENT NO. 21-033397-341 |
| REVISIONS | | |
| LTR | DESCRIPTION | DATE |
| A | INITIAL RELEASE | - |



PARTIAL SECTION AA-AA

- 6. EPOXY MAY BE PRESENT ON CONTACT TAILS IN INDICATED AREA.
- 5. MATES WITH M38999 QUADRAX PINS 21-033384-() & OTHERS.
- 4. ALL DIMENSIONS ARE AFTER PLATING.
- 3. MATERIALS:
OUTER & INNER CONTACTS- BERYLLIUM COPPER PER ASTM-B-196
FRONT INSULATOR & SPACER INSULATOR- TFE RESIN PER AMS 3651
- 2. FINISH:
GOLD PLATED PER MIL-G-45204 TYPE II, GRADE C, CLASS I (.000050 MIN)
OVER NICKEL PLATE PER QQ-N-290 (.000050 MIN).
- 1. CONTACTS MEET THE ENVELOPE DIMENSIONAL REQUIREMENTS OF M39029/91.

NOTES:

THE USE OF THIS DOCUMENT IS UNLIMITED. HOWEVER, DOCUMENTS REFERENCED HEREON MAY CONTAIN LIMITED RIGHTS DATA.

10-628485-518X
NEXT ASSEMBLY

PRO/ENGINEER INFORMATION
Pro/e Model Used:
21-033397-341.ASSEM
Drawing Name:
21-033397-341

| | |
|---|-----------------------|
| UNLESS OTHERWISE SPECIFIED | SPECIFICATIONS |
| LINEAR DIMENSIONS ARE IN INCHES TOLERANCES: .XXXX = \pm .0005 ANGLES= \pm 2° .XXX = \pm .010 .XX = \pm .03 .X = \pm .1 | MATERIAL SPEC. N/A |
| DIM. & TOL. PER ASME Y14.5M; DRM PER MIL-DTL-31000; OTHER Amphenol Stds. PER 9-3800 | PROCESS SPEC. N/A |
| LEGENDS: ∇ = FLAG NOTE CALL OUT REFERENCE ONLY | |

| | | | | |
|--|--------------------|----------------|-------------------------------|------|
| I | I | 21-033397-341M | CONTACT, SOCKET, QUADRAX, PCB | |
| POS | QTY | PART NUMBER | DESCRIPTION | NOTE |
| PARTS LIST | | | | |
| AMPHENOL CORPORATION 40-60 DELAWARE AVENUE SIDNEY, N.Y. 13858 | | | | |
| CONTACT, SOCKET, QUADRAX, ELECTRICAL CONNECTOR, 100 OHM, TYPE M38999 I & III, PCB | | | | |
| SIZE | CAGE CODE | DOCUMENT NO. | REV. | |
| C | 77820 | 21-033397-341 | A | |
| SCALE: 6.0 | REF. 21-033397-351 | SHEET 1 OF 1 | | |

21-033397-341

SHEET 1 OF 1

REV. A

C

B

A

FORMAT: C-U-E-1

21-033397-341

SHEET 1 OF 1

REV. A

C

B

A

FORMAT: C-U-E-1