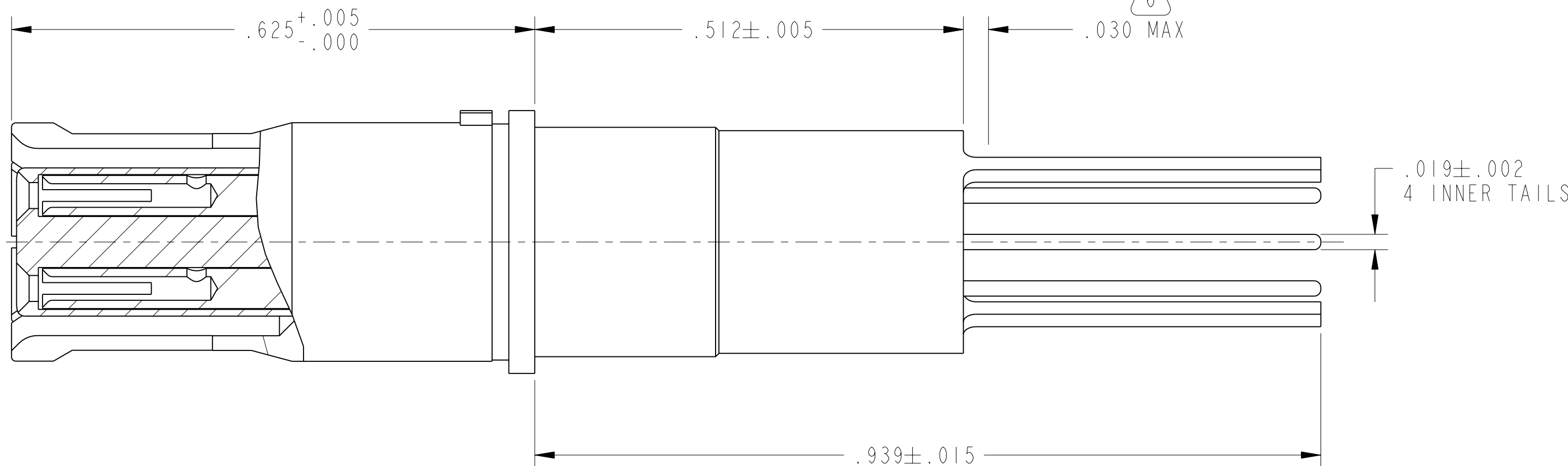
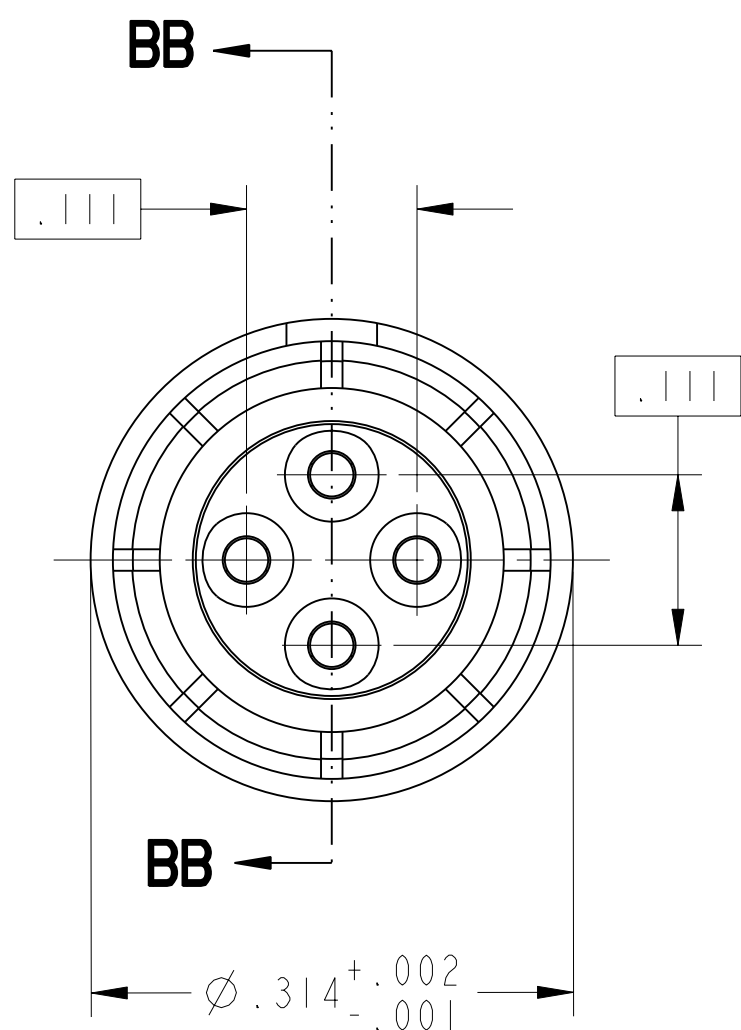
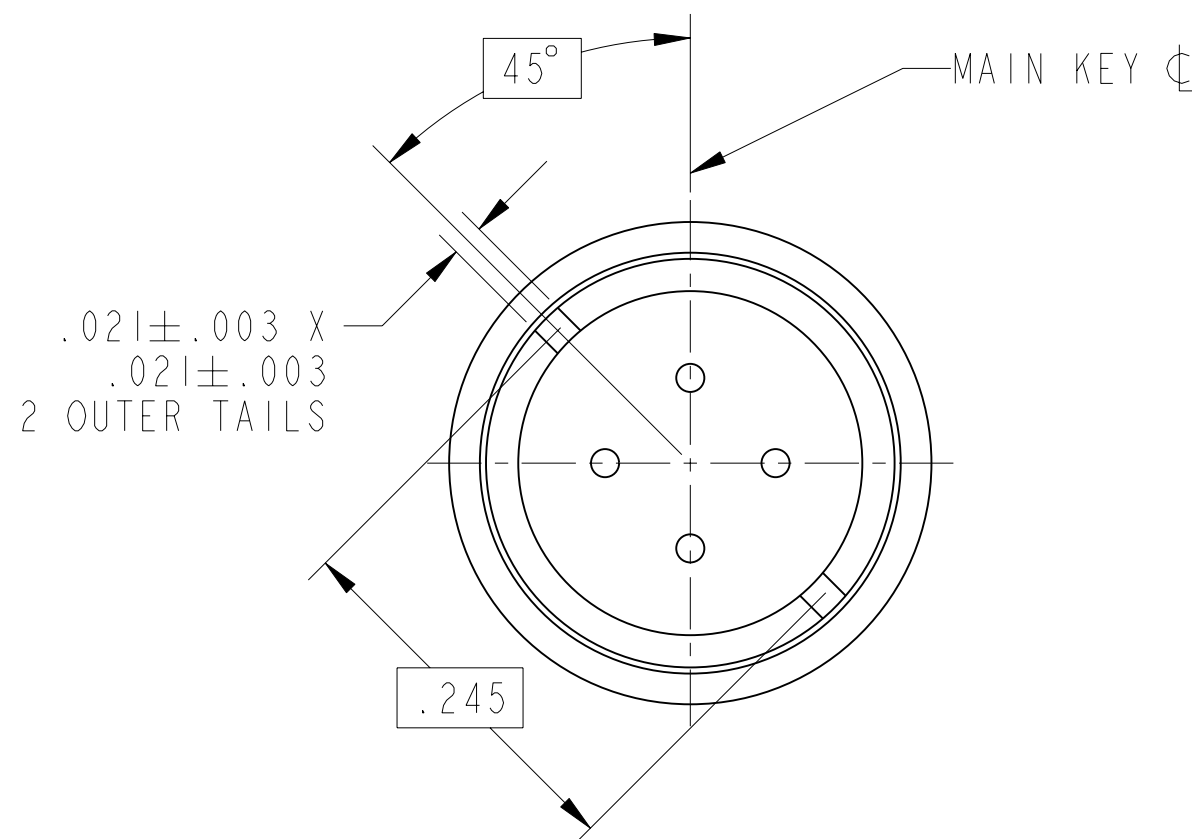


REV. A	SHEET 1 OF 1	DOCUMENT NO. 21-033397-361
REVISIONS		
LTR	DESCRIPTION	DATE
A	INITIAL RELEASE	-



PARTIAL SECTION BB-BB



VIEW AT R-R

- 6. EPOXY MAY BE PRESENT ON CONTACT TAILS IN INDICATED AREA.
- 5. MATES WITH M38999 QUADRAX PINS 21-033384-().
- 4. ALL DIMENSIONS ARE AFTER PLATING.
- 3. MATERIALS:
OUTER & INNER CONTACTS- BERYLLIUM COPPER PER ASTM-B-196
FRONT INSULATOR & SPACER INSULATOR- TFE RESIN PER AMS 3651
- 2. FINISH:
GOLD PLATED PER MIL-G-45204 TYPE II, GRADE C, CLASS I (.000050 MIN)
OVER NICKEL PLATE PER QQ-N-290 (.000050 MIN).
- 1. CONTACTS MEET THE ENVELOPE DIMENSIONAL REQUIREMENTS OF M39029/91.

NOTES:

THE USE OF THIS DOCUMENT IS UNLIMITED. HOWEVER, DOCUMENTS REFERENCED HEREON MAY CONTAIN LIMITED RIGHTS DATA.

10-628485-606X	PRO/ENGINEER INFORMATION Pro/e Model Used: 21-033397-361.ASSEM Drawing Name: 21-033397-361
RELEASED / Aug . 25 2009, 10:13:33 AM	
DOCUMENT NO. 21-033397-361	SHEET 1 OF 1
REV. A	

UNLESS OTHERWISE SPECIFIED		SPECIFICATIONS		POS	QTY	PART NUMBER	DESCRIPTION	NOTE
LINEAR DIMENSIONS ARE IN INCHES TOLERANCES: .XXXX = ±.0005 ANGLES= ±2° .XXX = ±.010 .XX = ±.03 .X = ±.1		MATERIAL SPEC. N/A		APPROVALS		DATE	PARTS LIST	
DIM. & TOL. PER ASME Y14.5M; DRM PER MIL-DTL-31000; OTHER Amphenol Stds. PER 9-3800		PROCESS SPEC. N/A		PREPARED BY J. BORDEAU	ENGINEER IN CHARGE D. PHILLIPS	13-Jun-08	AMPHENOL CORPORATION 40-60 DELAWARE AVENUE SIDNEY, N.Y. 13858	
LEGENDS: = FLAG NOTE CALL OUT REFERENCE ONLY		THIRD ANGLE PROJECTION		DESIGN MANAGER H. JOHNSON	DESIGN ACTIVITY GROUP MIL-AERO DEVELOP	CONTACT, SOCKET, QUADRAX, ELECTRICAL CONNECTOR, 100 OHM, TYPE M38999 I & III, PCB		
				SIZE C	CAGE CODE 77820	DOCUMENT NO. 21-033397-361	REV. A	
				SCALE: 8.0		REF. 21-033397-181	SHEET 1 OF 1	

21-033397-361

SHEET 1 OF 1

REV. A

C

B

A

FORMAT: C-U-E-I

21-033397-361

SHEET 1 OF 1

REV. A

C

B

A

FORMAT: C-U-E-I