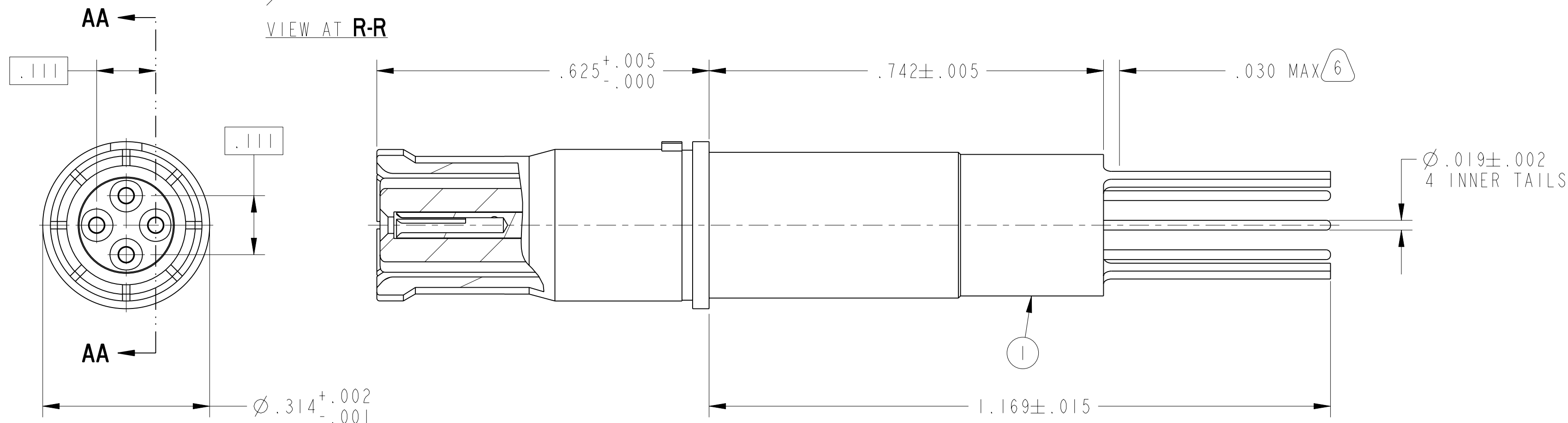
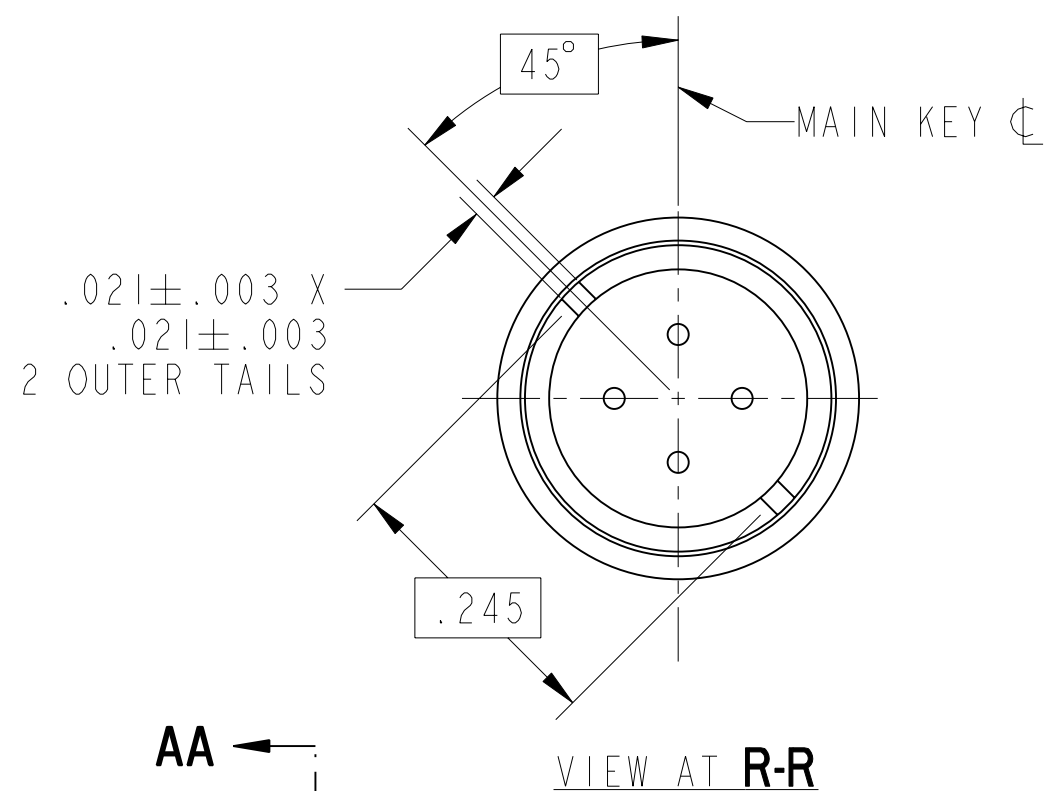


REV. A	SHEET 1 OF 1	DOCUMENT NO. 21-033397-421
REVISIONS		
LTR	DESCRIPTION	DATE
A	INITIAL RELEASE	-



- EPOXY MAY BE PRESENT ON CONTACT TAILS IN INDICATED AREA.
- MATES WITH M38999 QUADRAX PINS 21-033384-( ) & OTHERS.
- ALL DIMENSIONS ARE AFTER PLATING.
- MATERIALS:  
OUTER & INNER CONTACTS- BERYLLIUM COPPER PER ASTM-B-196  
FRONT INSULATOR & SPACER INSULATOR- TFE RESIN PER AMS 3651
- FINISH:  
GOLD PLATED PER MIL-G-45204 TYPE II, GRADE C, CLASS I (.000050 MIN)  
OVER NICKEL PLATE PER QQ-N-290 (.000050 MIN).
- CONTACTS MEET THE ENVELOPE DIMENSIONAL REQUIREMENTS OF M39029/91.

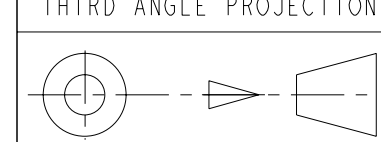
NOTES:

THE USE OF THIS DOCUMENT IS UNLIMITED. HOWEVER, DOCUMENTS REFERENCED HEREON MAY CONTAIN LIMITED RIGHTS DATA.

10-628485-585X	PRO/ENGINEER INFORMATION Pro/e Model Used: 21-033397-421.ASSEM Drawing Name: 21-033397-421
RELEASED / Sep . 04 2008, 01:48 PM	DOCUMENT NO. 21-033397-421
SHEET 1 OF 1	REV. A

UNLESS OTHERWISE SPECIFIED	SPECIFICATIONS
LINEAR DIMENSIONS ARE IN INCHES TOLERANCES: .XXXX = ±.0005 ANGLES= ±2° .XXX = ±.010 .XX = ±.03 .X = ±.1	MATERIAL SPEC. N/A
DIM. & TOL. PER ASME Y14.5M; DRM PER MIL-DTL-31000; OTHER Amphenol Stds. PER 9-3800	PROCESS SPEC. N/A
LEGENDS: = FLAG NOTE CALL OUT REFERENCE ONLY	

I	I	21-033397-421M	CONTACT, SOCKET, QUADRAX, PCB	
POS	QTY	PART NUMBER	DESCRIPTION	NOTE
PARTS LIST				
<b>AMPHENOL CORPORATION</b> 40-60 DELAWARE AVENUE SIDNEY, N.Y. 13858				
<b>CONTACT, SOCKET, QUADRAX, ELECTRICAL CONNECTOR, 100 OHM, TYPE M38999 I &amp; III, PCB</b>				
SIZE	CAGE CODE	DOCUMENT NO.	REV.	
C	77820	21-033397-421	A	
SCALE: 6.0	REF. 21-033397-341	SHEET 1 OF 1		



21-033397-421

SHEET 1 OF 1

REV. A

C

B

A

FORMAT: C-U-E-I

21-033397-421

SHEET 1 OF 1

REV. A

C

B

A

FORMAT: C-U-E-I

RELEASE STATE Released

SHEET 1 OF 1

21-033397-421

REV. A