

REV. B		SHEET 1 OF 1		DOCUMENT NO. 21-033397-511	
REVISIONS					
LTR	DESCRIPTION	DATE			
A	INITIAL RELEASE	4/6/2010			
B	(CL 11) ADDED NOTE 6 SEE ECN B1720	----			

21-033397-511

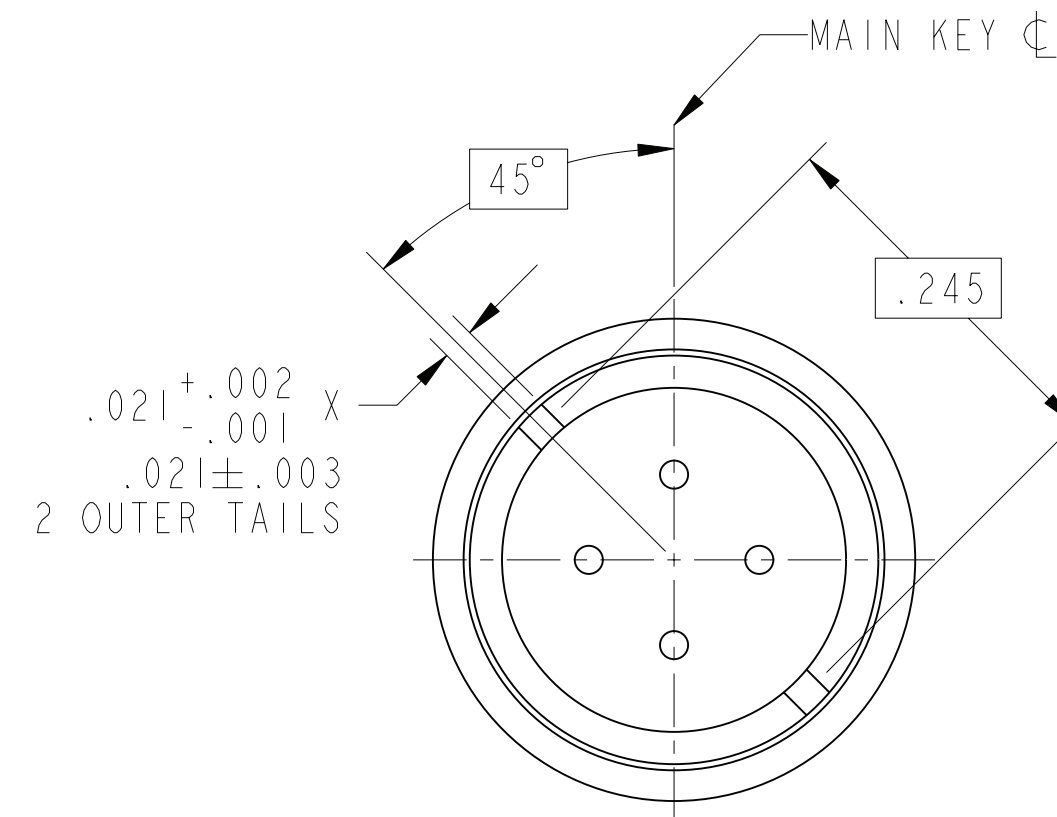
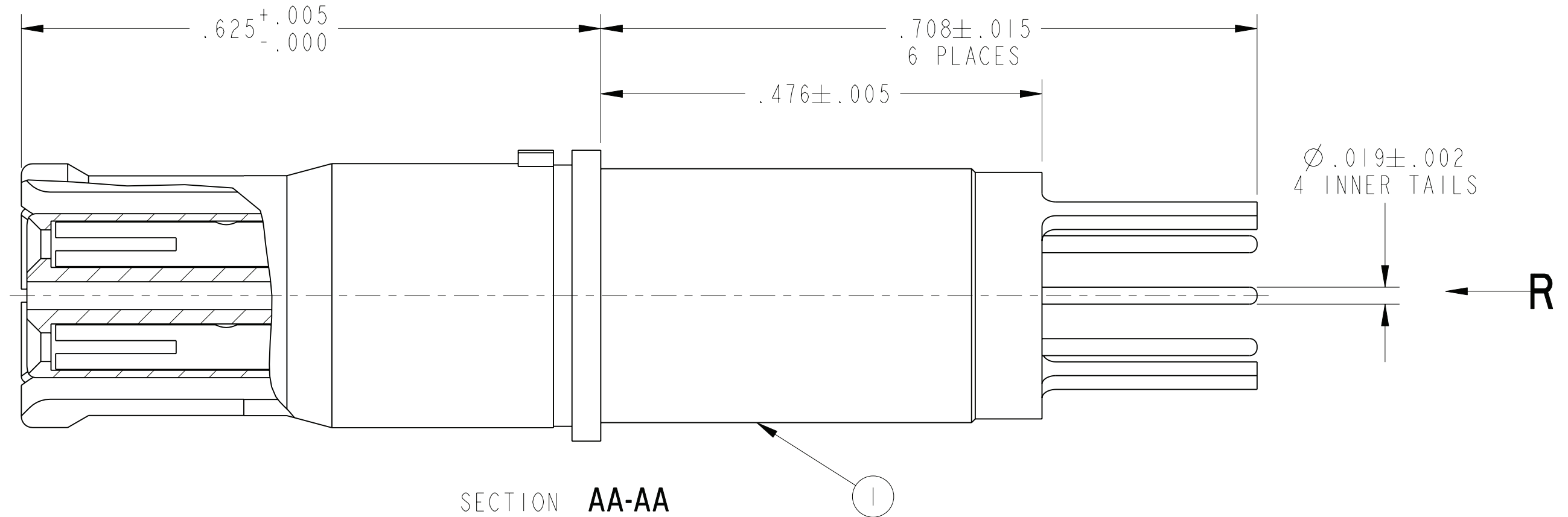
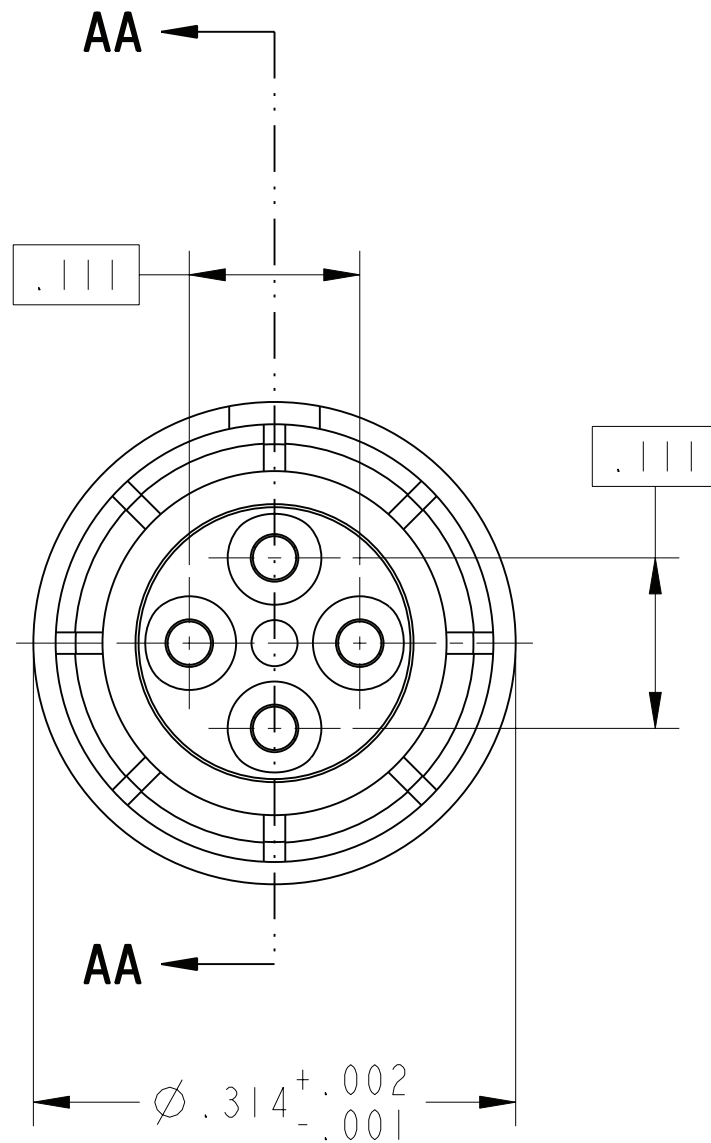
SHEET 1 OF 1

REV. B

C

B

A



6. FOR LEAK CHECKED CONTACT ASSEMBLIES, ADD LAST CHARACTER SUFFIX TO PART NUMBER:

DESCRIPTION	SUFFIX	TEST
NOT CHECKED	<NONE>	<NONE>
10 <sup>-3</sup> CC/SEC He	-XXXZ	9-5266-111
15 PSI	-XXXV	9-5266-110
10 PSI	-XXXW	9-5266-110, EXCEPT 10PSI
5 PSI	-XXXU	9-5266-110, EXCEPT 5 PSI

5. MATES WITH M38999 QUADRAX PINS 21-033384-( ).

4. ALL DIMENSIONS ARE AFTER PLATING.

3. MATERIALS:  
 OUTER & INNER CONTACTS- BERYLLIUM COPPER PER ASTM-B-196  
 FRONT INSULATOR & SPACER INSULATOR- TFE RESIN PER AMS 3651

2. FINISH:  
 GOLD PLATED PER MIL-G-45204 TYPE II, GRADE C, CLASS I (.000050 MIN)  
 OVER NICKEL PLATE PER QQ-N-290 (.000050 MIN).

1. CONTACTS MEET THE ENVELOPE DIMENSIONAL REQUIREMENTS OF M39029/91.

**NOTES:**

THE USE OF THIS DOCUMENT IS UNLIMITED. HOWEVER, DOCUMENTS REFERENCED HEREON MAY CONTAIN LIMITED RIGHTS DATA.

10-628485-759X  
 NEXT ASSEMBLY

PRO/ENGINEER INFORMATION  
 Pro/e Model Used:  
 21-033397-511.ASSEM  
 Drawing Name:  
 21-033397-511

UNLESS OTHERWISE SPECIFIED	SPECIFICATIONS
LINEAR DIMENSIONS ARE IN INCHES TOLERANCES: .XXXX = ±.0005 ANGLES= ±2° .XXX = ±.010 .XX = ±.03 .X = ±.1	MATERIAL SPEC. N/A
DIM. & TOL. PER ASME Y14.5M; DRM PER MIL-DTL-31000; OTHER Amphenol Stds. PER 9-3800	PROCESS SPEC. N/A
LEGENDS: = FLAG NOTE CALL OUT REFERENCE ONLY	

I	I	21-033397-511M	CONTACT, SOCKET, QUAD, PCB	
POS	QTY	PART NUMBER	DESCRIPTION	NOTE
PARTS LIST				
<b>AMPHENOL CORPORATION</b> 40-60 DELAWARE AVENUE SIDNEY, N.Y. 13858				
<b>CONTACT, SOCKET, QUADRAX,          ELECTRICAL CONNECTOR,          100 OHM, TYPE M38999 I &amp; III, PCB</b>				
SIZE	CAGE CODE	DOCUMENT NO.	REV.	
C	77820	21-033397-511	B	
SCALE: 8.0		REF. 21-33397-111	SHEET 1 OF 1	

FORMAT: C-0-E-1

DOCUMENT NO. 21-033397-511

SHEET 1 OF 1

REV. B

VERSION I

REVISION B

RELEASE STATE Released

REV. B

SHEET 1 OF 1

DOCUMENT NO. 21-033397-511