

REV. A	SHEET 1 OF 1	DOCUMENT NO. 21-033397-611
REVISIONS		
LTR	DESCRIPTION	DATE
A	INITIAL RELEASE	---

21-033397-611

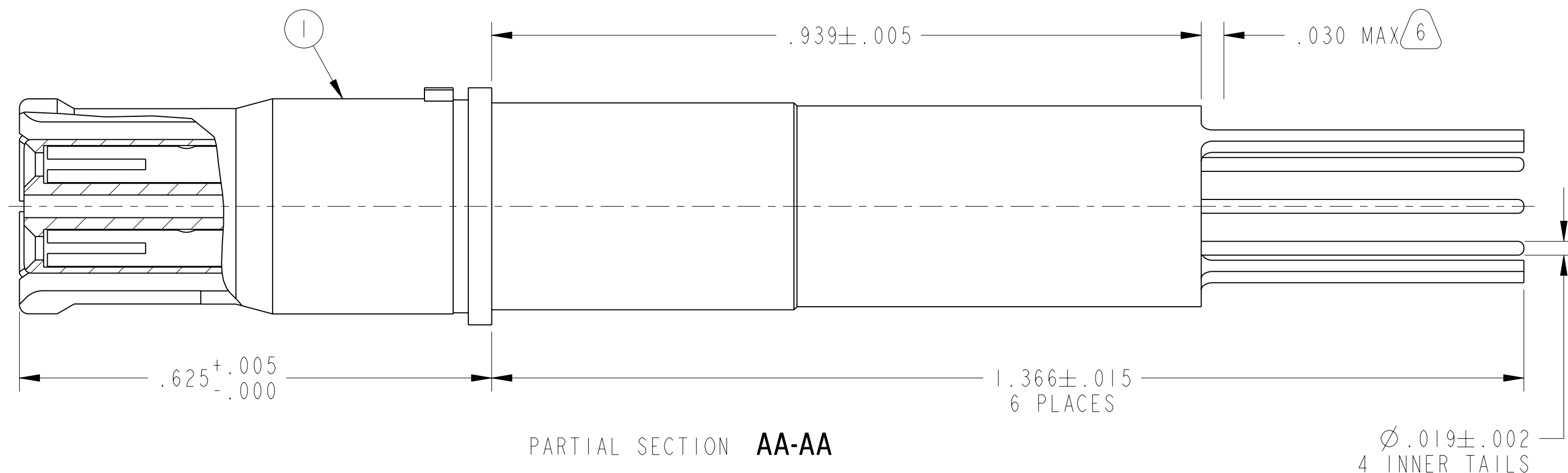
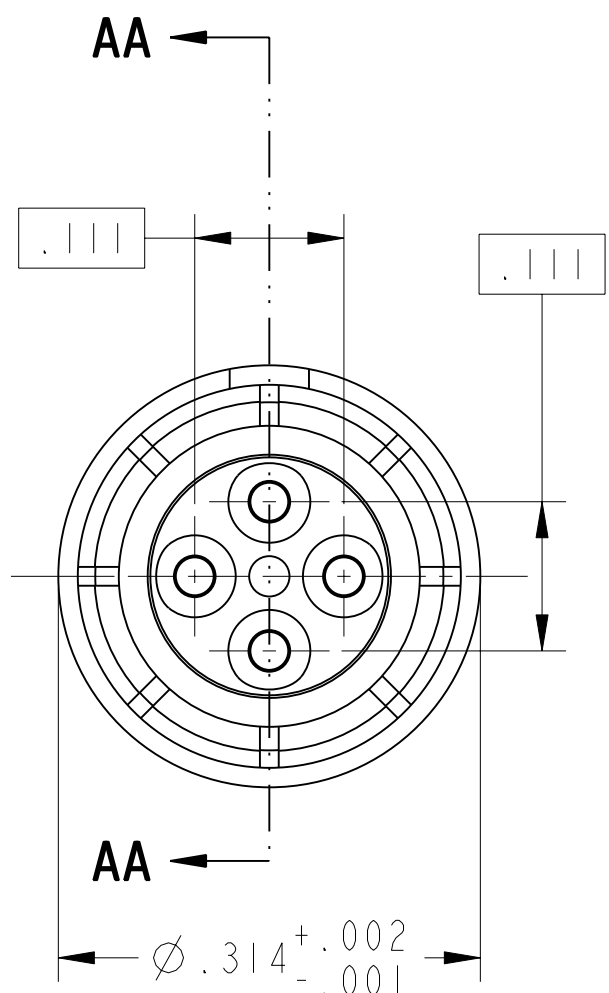
SHEET 1 OF 1

REV. A

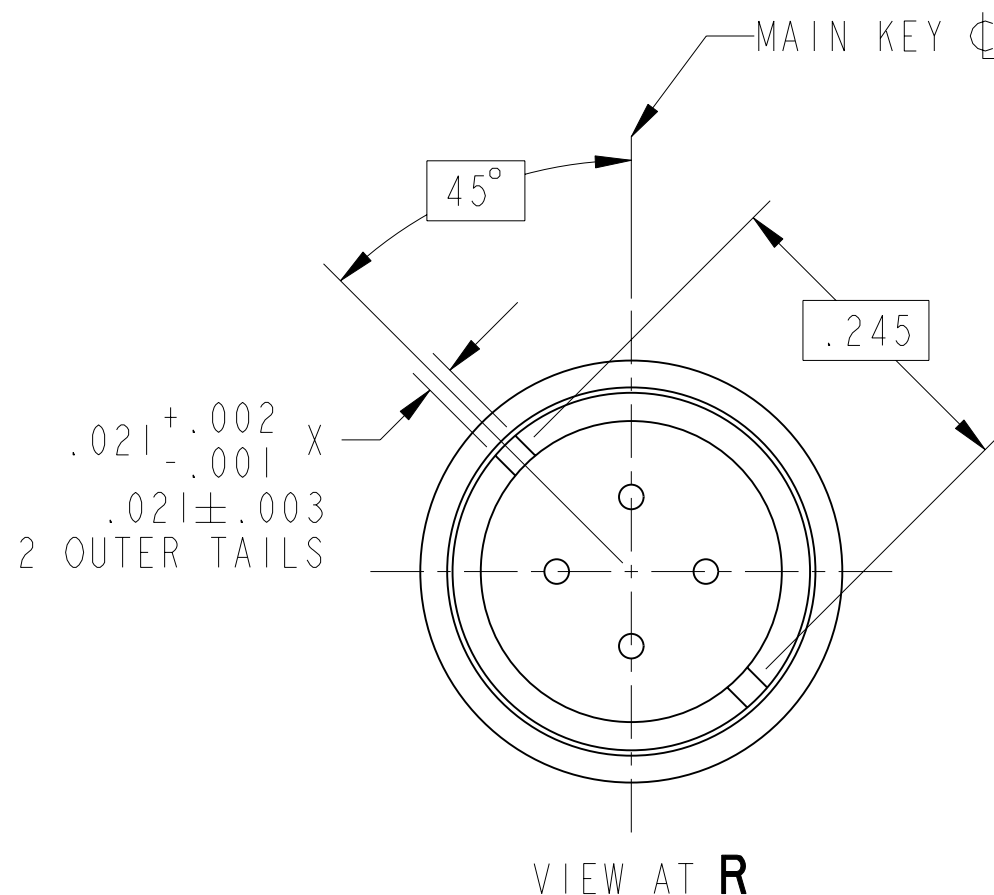
C

B

A



PARTIAL SECTION AA-AA



VIEW AT R

7. FOR LEAK CHECKED CONTACT ASSEMBLIES, ADD LAST CHARACTER SUFFIX TO PART NUMBER:

DESCRIPTION	SUFFIX	TEST
NOT CHECKED	<NONE>	<NONE>
10^{-3} CC/SEC He	-XXXZ	9-5266-111
15 PSI	-XXX Y	9-5266-110
10 PSI	-XXXW	9-5266-110, EXCEPT 10PSI
5 PSI	-XXXV	9-5266-110, EXCEPT 5 PSI

6. EPOXY MAY BE PRESENT ON CONTACT TAILS IN INDICATED AREA.

5. MATES WITH M38999 QUADRAX PINS 21-033384-().

4. ALL DIMENSIONS ARE AFTER PLATING.

3. MATERIALS:

OUTER & INNER CONTACTS- BERYLLIUM COPPER PER ASTM-B-196
FRONT INSULATOR & SPACER INSULATOR- PTFE RESIN PER AMS 3651
OR PFA 340 OR ASTM D1710

2. FINISH:

GOLD PLATED PER MIL-G-45204 TYPE II, GRADE C, CLASS I (.000050 MIN)
OVER NICKEL PLATE PER QQ-N-290 (.000050 MIN).

1. CONTACTS MEET THE ENVELOPE DIMENSIONAL REQUIREMENTS OF M39029/91.

NOTES:

THE USE OF THIS DOCUMENT IS UNLIMITED. HOWEVER, DOCUMENTS REFERENCED HEREON MAY CONTAIN LIMITED RIGHTS DATA.

10-628485-930X
NEXT ASSEMBLY

PRO/ENGINEER INFORMATION
Pro/e Model Used:
21-033397-611.ASSEM
Drawing Name:
21-033397-611

UNLESS OTHERWISE SPECIFIED	SPECIFICATIONS
LINEAR DIMENSIONS ARE IN INCHES TOLERANCES: .XXXX = $\pm .0005$ ANGLES = $\pm 2^\circ$.XXX = $\pm .010$.XX = $\pm .03$.X = $\pm .1$	MATERIAL SPEC. N/A
DIM. & TOL. PER ASME Y14.5M; DRM PER MIL-DTL-31000; OTHER Amphenol Stds. PER 9-3800	PROCESS SPEC. N/A
LEGENDS: = FLAG NOTE CALL OUT REFERENCE ONLY	

I	I	21-033397-611M	CONTACT, SOCKET, QUAD, PCB	
POS	QTY	PART NUMBER	DESCRIPTION	NOTE

APPROVALS		DATE
PREPARED BY	T. SIMMONDS	16-Sep-11
ENGINEER IN CHARGE	D. PHILLIPS	
DESIGN MANAGER	E. HICKEY	
DESIGN ACTIVITY GROUP	C-1	
THIRD ANGLE PROJECTION		

PARTS LIST			
AMPHENOL CORPORATION 40-60 DELAWARE AVENUE SIDNEY, N.Y. 13858			
CONTACT, SOCKET, QUADRAX, ELECTRICAL CONNECTOR, 100 OHM, TYPE M38999 I & III, PCB			
SIZE C	CAGE CODE 77820	DOCUMENT NO. 21-033397-611	REV. A
SCALE: 7.0	REF. 21-33397-111	SHEET 1 OF 1	

FORMAT: C-U-E-I

RELEASED / Dec. 18 2012, 2:02:46 PM

DOCUMENT NO. 21-033397-611

SHEET 1 OF 1

REV. A

VERSION 4

REVISION A

RELEASE STATE Released

REV. A

SHEET 1 OF 1

DOCUMENT NO. 21-033397-611