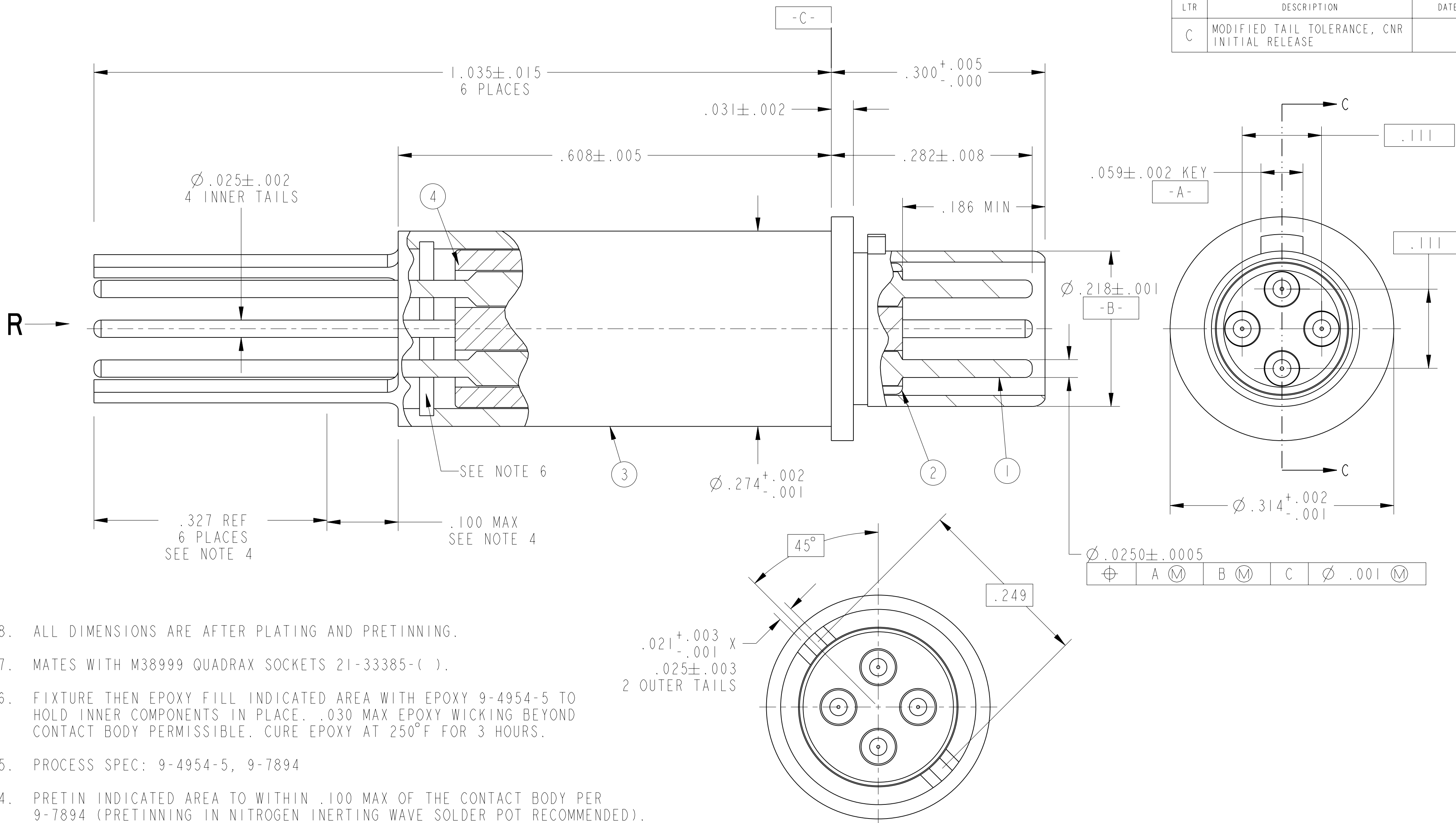


C REV SHEET 1 OF 1		21-33398-21
REVISIONS		
LTR	DESCRIPTION	DATE
C	MODIFIED TAIL TOLERANCE, CNR INITIAL RELEASE	



8. ALL DIMENSIONS ARE AFTER PLATING AND PRETINNING.
7. MATES WITH M38999 QUADRAX SOCKETS 21-33385-().
6. FIXTURE THEN EPOXY FILL INDICATED AREA WITH EPOXY 9-4954-5 TO HOLD INNER COMPONENTS IN PLACE. .030 MAX EPOXY WICKING BEYOND CONTACT BODY PERMISSIBLE. CURE EPOXY AT 250°F FOR 3 HOURS.
5. PROCESS SPEC: 9-4954-5, 9-7894
4. PRETIN INDICATED AREA TO WITHIN .100 MAX OF THE CONTACT BODY PER 9-7894 (PRETINNING IN NITROGEN INERTING WAVE SOLDER POT RECOMMENDED).
3. MATERIALS:
OUTER & INNER CONTACTS- BERYLLIUM COPPER PER ASTM-B-196
FRONT INSULATOR & SPACER INSULATOR- TFE RESIN PER AMS 3651
2. FINISH:
GOLD PLATED PER MIL-G-45204 TYPE II, GRADE C, CLASS I (.000050 MIN)
OVER NICKEL PLATE PER QQ-N-290 (.000050 MIN).

NOTES: CONTACTS MEET THE ENVELOPE DIMENSIONAL REQUIREMENTS OF M39029/90.

THE USE OF THIS DOCUMENT IS UNLIMITED. HOWEVER, DOCUMENTS REFERENCED HEREON MAY CONTAIN LIMITED RIGHTS DATA.

RELEASED / Feb . 03 2004, 02:19 PM

N/A	PRO/ENGINEER INFORMATION
N/A	Pro/e Model Used: 21-33398-21_BP_TV_QUAD_ASY_PCB_ASSEM
N/A	Drawing Name: 21-33398-21_BP_TV_QUAD_ASY_PCB
N/A	NEXT ASSEMBLY

UNLESS OTHERWISE SPECIFIED
 LINEAR DIMENSIONS ARE IN INCHES
 TOLERANCES:
 .XXXX = ±.0005 ANGLES= ±2°
 .XXX = ±.010
 .XX = ±.03
 .X = ±.1
 DIM. & TOL. PER ASME Y14.5M;
 DRM PER MIL-DTL-31000;
 OTHER Amphenol Sds. PER 9-3800
 LEGENDS:
 =FLAG NOTE CALL OUT REFERENCE ONLY

SPECIFICATIONS
 MATERIAL SPEC.
 N/A
 PROCESS SPEC.
 SEE NOTE 5

POS	QTY	PART NUMBER	DESCRIPTION	NOTE
4	1	21-33398-5	SPACER INSULATOR	
3	1	21-33398-24	OUTER CONTACT	
2	1	21-33398-23	FRONT INSULATOR	
1	4	21-33398-22	INNER CONTACT	

APPROVALS	DATE
PREPARED BY: RATCHFORD	
ENGINEER IN CHARGE: RATCHFORD	04-Nov-02
DESIGN MANAGER: A. DAVIS	
DESIGN ACTIVITY GROUP: MIL-AERO	
THIRD ANGLE PROJECTION	

PARTS LIST

AMPHENOL CORPORATION
 40-60 DELAWARE AVENUE
 SIDNEY, N.Y. 13858

**CONTACT, PIN, QUADRAX,
 ELECTRICAL CONNECTOR,
 TYPE M38999 I § III, PCB**

SIZE C	CAGE CODE 77820	DOCUMENT NO. 21-33398-21	REV. C
------------------	---------------------------	------------------------------------	------------------

SCALE: 10.0 REF: 21-33398-31 SHEET 1 OF 1

21-33398-21

SHEET 1 OF 1

C REV

C

B

A

SHEET 1 OF 1

21-33398-21

A

U