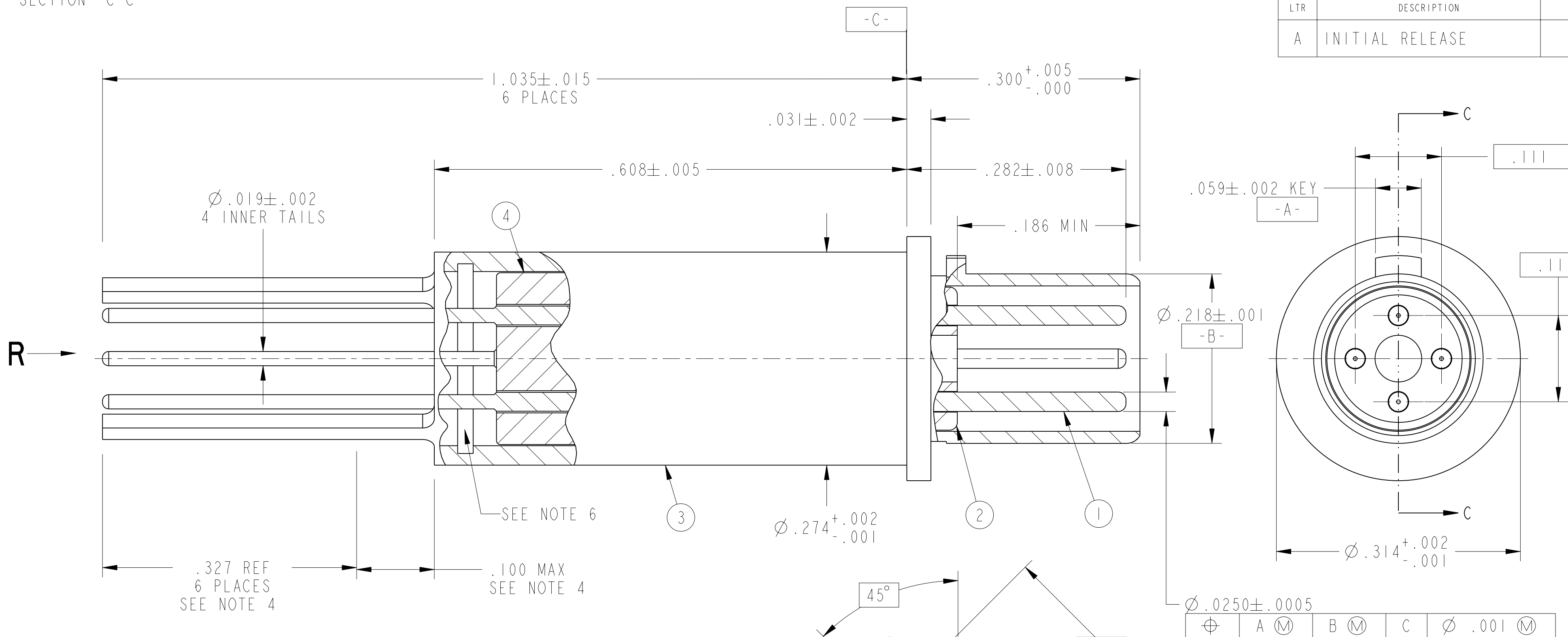


REV. A	SHEET 1 OF 1	21-33398-61
REVISIONS		
LTR	DESCRIPTION	DATE
A	INITIAL RELEASE	

SECTION C-C



8. ALL DIMENSIONS ARE AFTER PLATING AND PRETINNING.
7. MATES WITH M38999 QUADRAX SOCKETS 21-33385-().
6. FIXTURE THEN EPOXY FILL INDICATED AREA WITH EPOXY 9-4954-5 TO HOLD INNER COMPONENTS IN PLACE. .030 MAX EPOXY WICKING BEYOND CONTACT BODY PERMISSIBLE. CURE EPOXY AT 250°F FOR 3 HOURS.
5. PROCESS SPEC: 9-4954-5, 9-7894
4. PRETIN INDICATED AREA TO WITHIN .100 MAX OF THE CONTACT BODY PER 9-7894 (PRETINNING IN NITROGEN INERTING WAVE SOLDER POT RECOMMENDED).
3. MATERIALS:
OUTER & INNER CONTACTS- BERYLLIUM COPPER PER ASTM-B-196
FRONT INSULATOR & SPACER INSULATOR- TFE RESIN PER ASTM 3651
2. FINISH:
GOLD PLATED PER MIL-G-45204 TYPE II, GRADE C, CLASS I (.000050 MIN)
OVER NICKEL PLATE PER QQ-N-290 (.000050 MIN).
1. CONTACTS MEET THE ENVELOPE DIMENSIONAL REQUIREMENTS OF M39029/90.

NOTES:

THE USE OF THIS DOCUMENT IS UNLIMITED. HOWEVER, DOCUMENTS REFERENCED HEREON MAY CONTAIN LIMITED RIGHTS DATA.

RELEASED / Oct. 23 2003, 07:46 AM

N/A	PRO/ENGINEER INFORMATION
N/A	Pro/e Model Used: 21-33398-61_BP_TV_QUAD_ASY_PCB_ASSEM
	Drawing Name: 21-33398-61_BP_TV_QUAD_ASY_PCB

UNLESS OTHERWISE SPECIFIED	SPECIFICATIONS
LINEAR DIMENSIONS ARE IN INCHES TOLERANCES: .XXXX = ±.0005 ANGLES= ±2° .XXX = ±.010 .XX = ±.03 .X = ±.1	MATERIAL SPEC. N/A
DIM. & TOL. PER ASME Y14.5M; DRM PER MIL-DTL-31000; OTHER Amphenol Sds. PER 9-3800	PROCESS SPEC. SEE NOTE 5
LEGENDS: = FLAG NOTE CALL OUT REFERENCE ONLY	

POS	QTY	PART NUMBER	DESCRIPTION	NOTE
4	1	21-33398-65	SPACER INSULATOR	
3	1	21-33398-24	OUTER CONTACT	
2	1	21-33398-63	FRONT INSULATOR	
1	4	21-33398-62	INNER CONTACT	

APPROVALS	DATE
PREPARED BY FALSE	
ENGINEER IN CHARGE RATCHFORD	17-0c1-03
DESIGN MANAGER A. DAVIS	
DESIGN ACTIVITY GROUP MIL-AERO	
THIRD ANGLE PROJECTION	

PARTS LIST			
AMPHENOL CORPORATION 40-60 DELAWARE AVENUE SIDNEY, N.Y. 13839			
CONTACT, PIN, QUADRAX, ELECTRICAL CONNECTOR, TYPE M38999 I & III, PCB			
SIZE C	CAGE CODE 77820	DOCUMENT NO. 21-33398-61	REV. A
SCALE: 10.0 REF: 21-33398-21		SHEET 1 OF 1	

21-33398-61

SHEET 1 OF 1

REV. A

C

B

A

SHEET 1 OF 1

21-33398-61

A