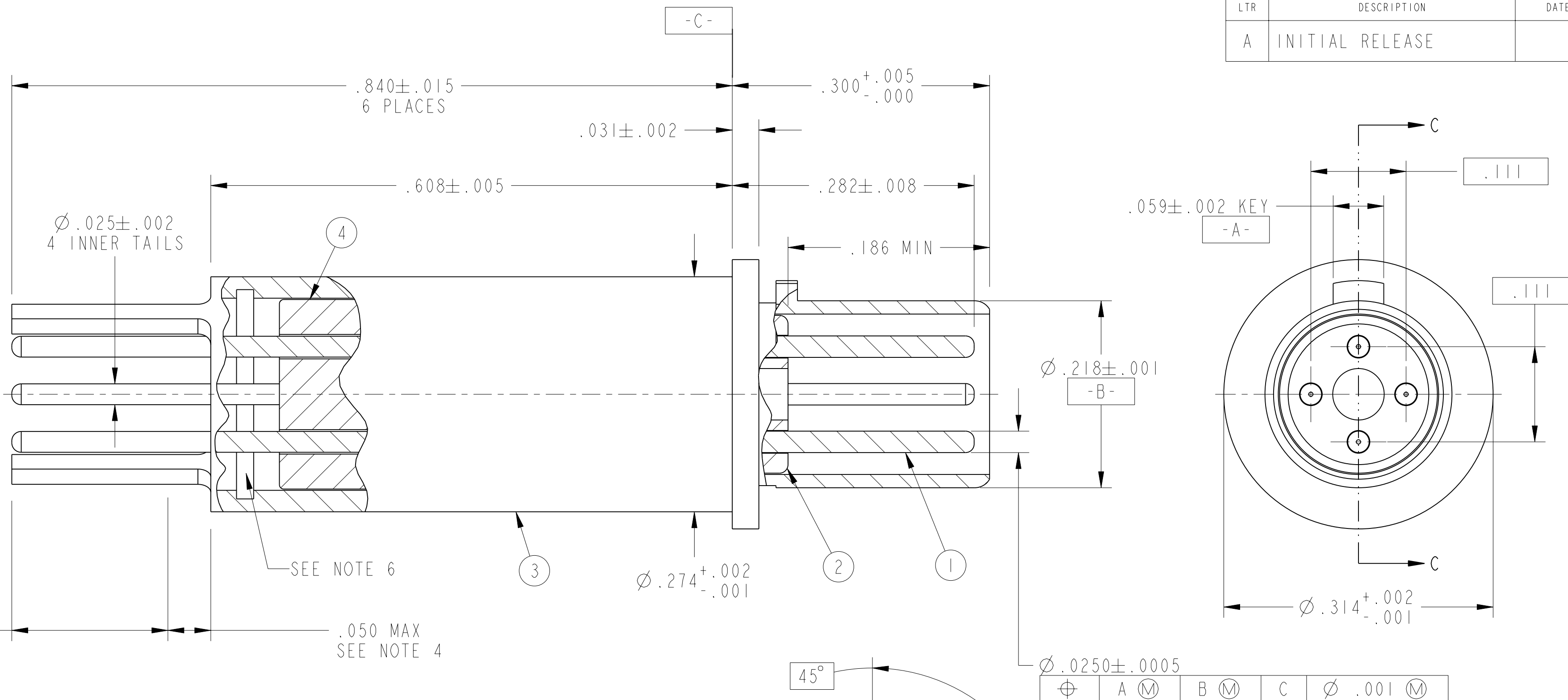


REV. A		SHEET 1 OF 1		21-33398-81	
REVISIONS					
LTR	DESCRIPTION		DATE		
A	INITIAL RELEASE				

21-33398-81

SHEET 1 OF 1

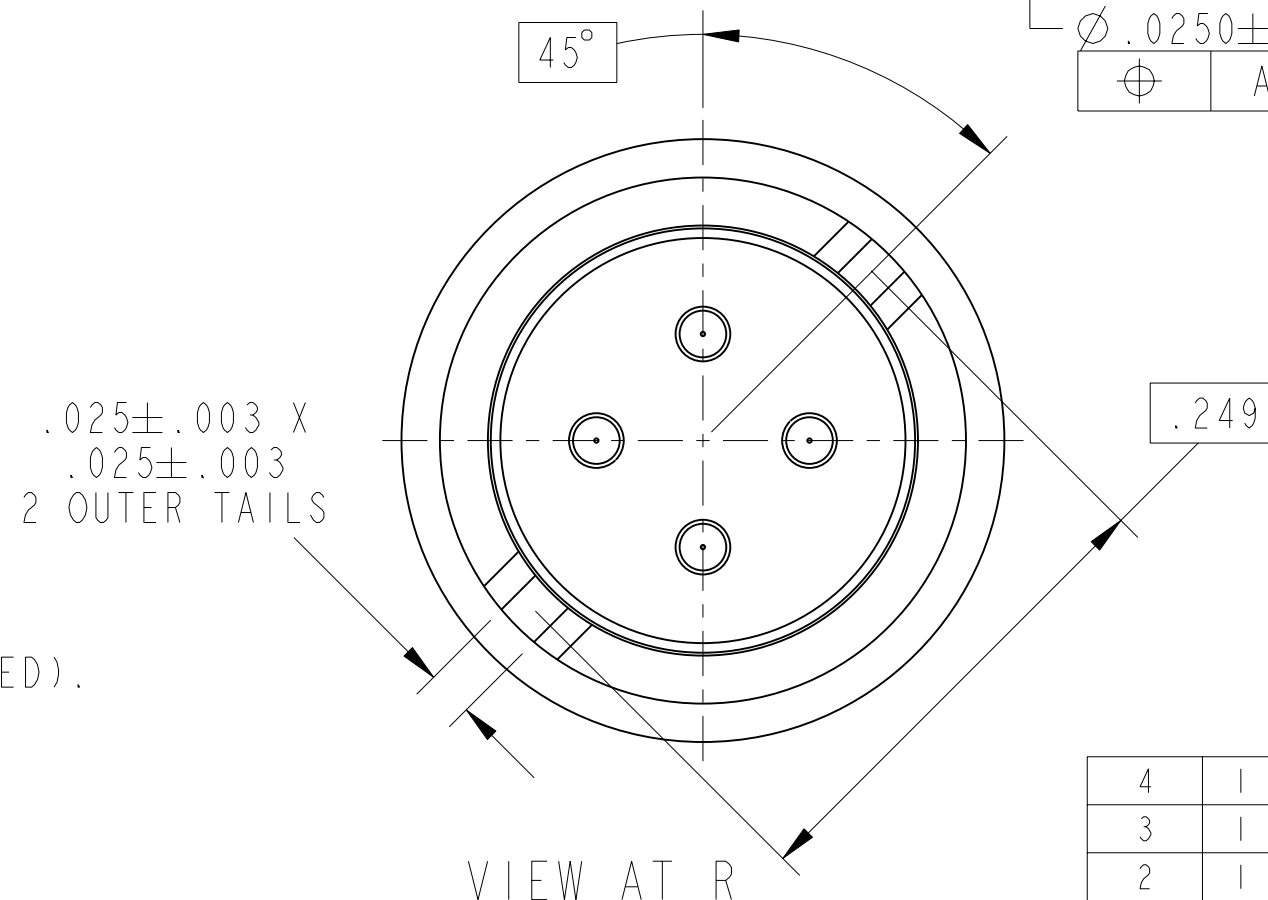
R



8. ALL DIMENSIONS ARE AFTER PLATING AND PRETINNING.
7. MATES WITH M38999 QUADRAX SOCKETS 21-33385-31.
6. FIXTURE THEN EPOXY FILL INDICATED AREA WITH EPOXY 9-4954-5 TO HOLD INNER COMPONENTS IN PLACE. .030 MAX EPOXY WICKING BEYOND CONTACT BODY PERMISSIBLE. CURE EPOXY AT 250°F FOR 3 HOURS.
5. PROCESS SPEC: 9-4954-5, 9-7894
4. PRETIN INDICATED AREA TO WITHIN .050 MAX OF THE CONTACT BODY PER 9-7894 (PRETINNING IN NITROGEN INERTING WAVE SOLDER POT RECOMMENDED).
3. MATERIALS:
OUTER & INNER CONTACTS- BERYLLIUM COPPER PER ASTM-B-196
FRONT INSULATOR & SPACER INSULATOR- TFE RESIN PER AMS 3651
2. FINISH:
GOLD PLATED PER MIL-G-45204 TYPE II, GRADE C, CLASS I (.000050 MIN)
OVER NICKEL PLATE PER QQ-N-290 (.000050 MIN).
1. CONTACTS MEET THE ENVELOPE DIMENSIONAL REQUIREMENTS OF M39029/90.

NOTES:

THE USE OF THIS DOCUMENT IS UNLIMITED. HOWEVER, DOCUMENTS REFERENCED HEREON MAY CONTAIN LIMITED RIGHTS DATA.



POS	QTY	PART NUMBER	DESCRIPTION	NOTE
4	1	21-33398-65	SPACER INSULATOR	
3	1	21-33398-84	OUTER CONTACT	
2	1	21-33398-63	FRONT INSULATOR	
1	4	21-33398-82	INNER CONTACT	

APPROVALS		DATE
PREPARED BY	RATCHFORD	17-0c1-03
ENGINEER IN CHARGE	RATCHFORD	
DESIGN MANAGER	A. DAVIS	
DESIGN ACTIVITY GROUP	MIL-AERO	
THIRD ANGLE PROJECTION		

PARTS LIST			
AMPHENOL CORPORATION			
<small>40-60 DELAWARE AVENUE SIDNEY, N.Y. 13858</small>			
CONTACT, PIN, QUADRAX, ELECTRICAL CONNECTOR, TYPE M38999 I & III, PCB			
SIZE C	CAGE CODE 77820	DOCUMENT NO. 21-33398-81	REV. A
SCALE: 10.0 REF: 21-33398-21		SHEET 1 OF 1	

UNLESS OTHERWISE SPECIFIED

LINEAR DIMENSIONS ARE IN INCHES
TOLERANCES:
.XXXX = ±.0005 ANGLES = ±2°
.XXX = ±.010
.XX = ±.03
.X = ±.1

DIM. & TOL. PER ASME Y14.5M;
DRM PER MIL-DTL-31000;
OTHER Amphenol Sds. PER 9-3800

LEGENDS:
= FLAG NOTE CALL OUT REFERENCE ONLY

N/A	PRO/ENGINEER INFORMATION
N/A	Pro/e Model Used: 21-33398-81_BP_TV_QUAD_ASY_PCB_ASSEM
N/A	Drawing Name: 21-33398-81_BP_TV_QUAD_ASY_PCB
N/A	NEXT ASSEMBLY

RELEASED / Dec. 19 2003, 03:31 PM

21-33398-81

SHEET 1 OF 1

REV. A

SHEET 1 OF 1

21-33398-81