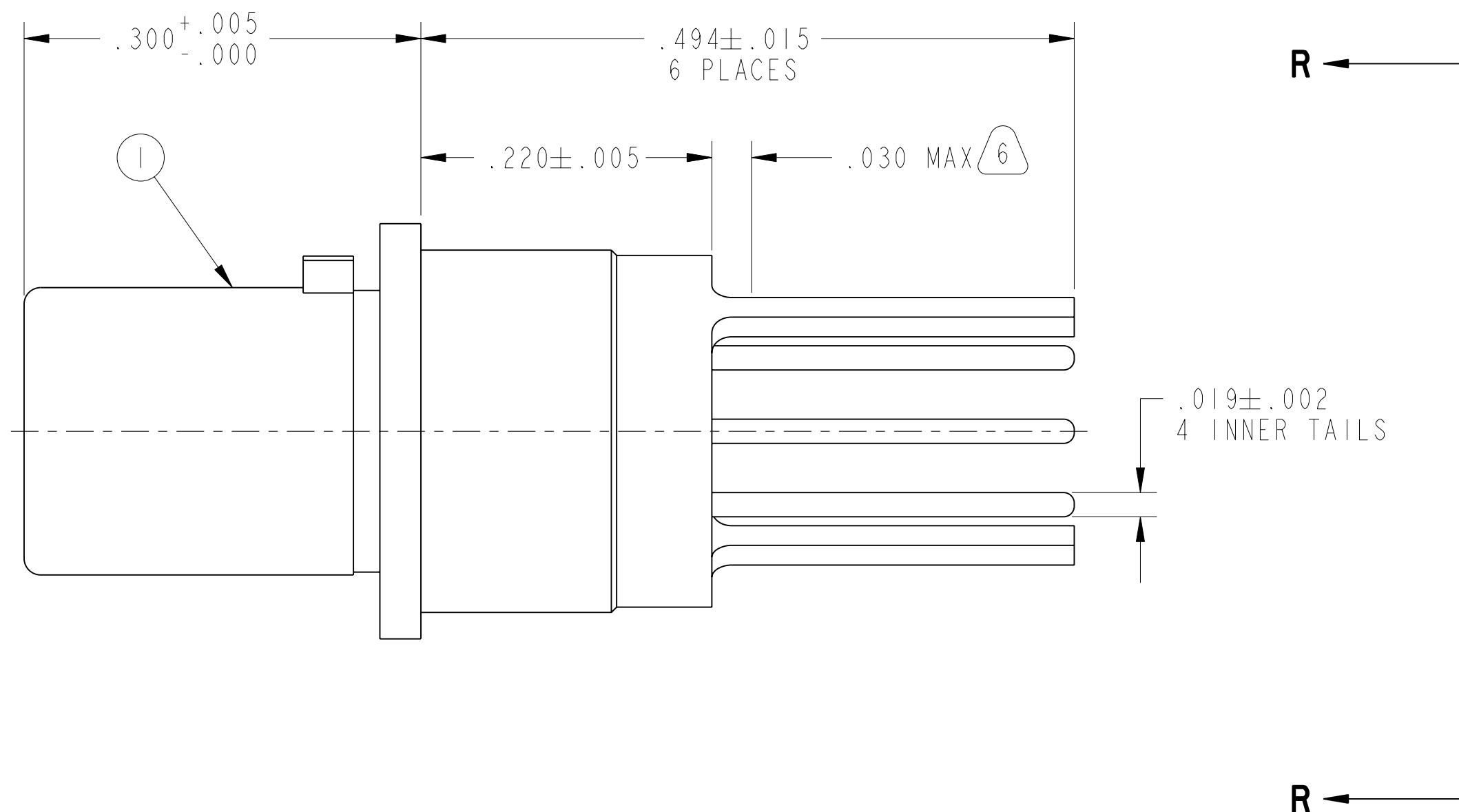
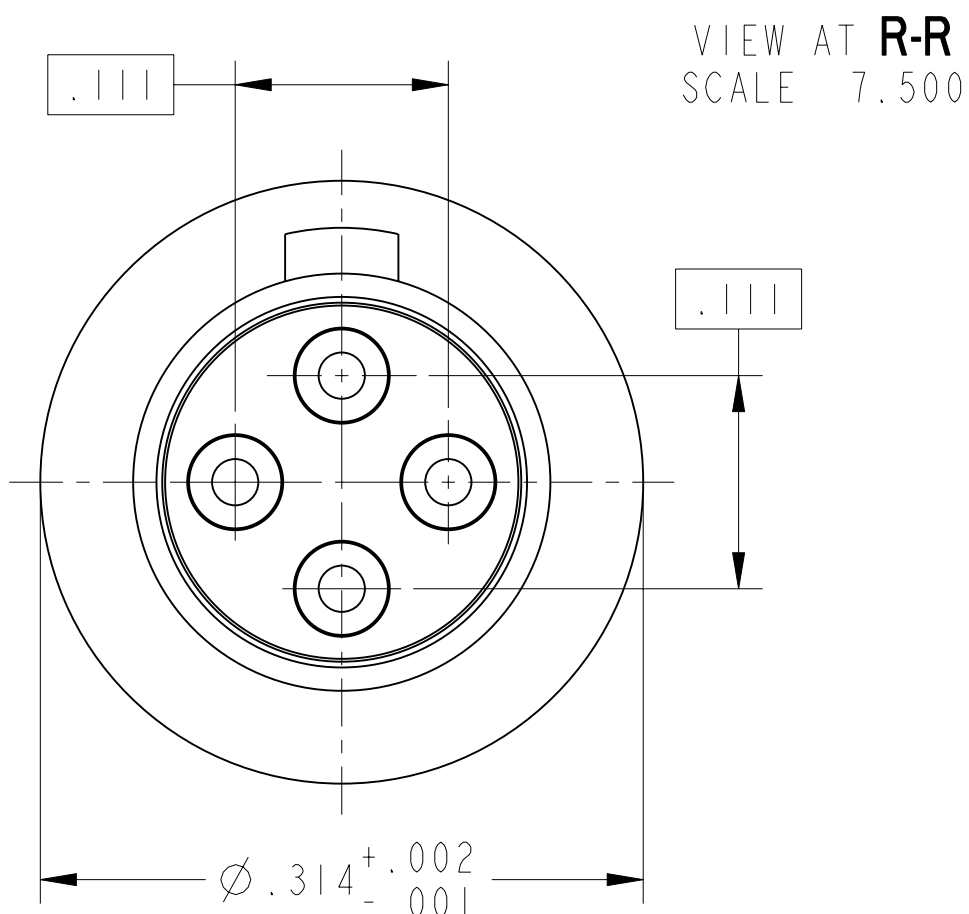
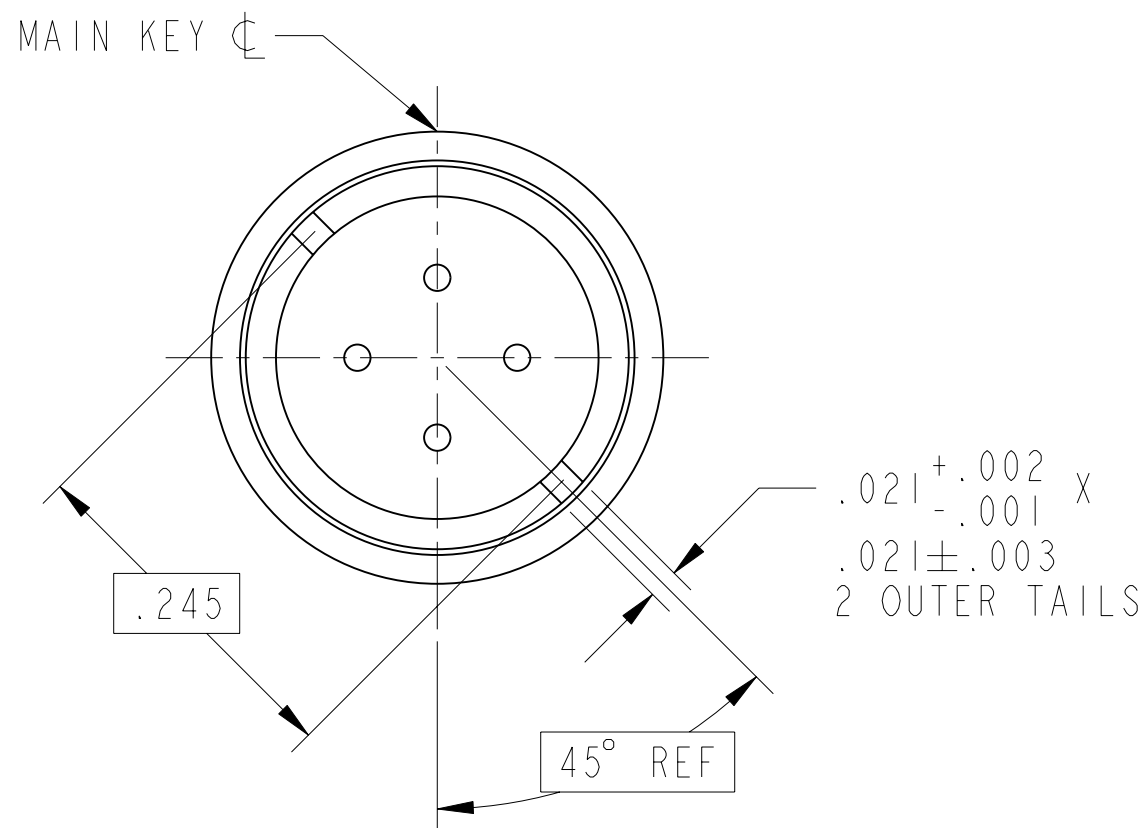


REV. A	SHEET 1 OF 1	DOCUMENT NO. 21-033398-231
REVISIONS		
LTR	DESCRIPTION	DATE
A	INITIAL RELEASE	-



- 6. EPOXY MAY BE PRESENT ON CONTACT TAILS IN INDICATED AREA.
- 5. ALL DIMENSIONS ARE AFTER PLATING.
- 4. MATES WITH M38999 QUADRAX SOCKETS 21-033385-051 & OTHERS.
- 3. MATERIALS:
 OUTER & INNER CONTACTS- BERYLLIUM COPPER PER ASTM-B-196
 FRONT INSULATOR & SPACER INSULATOR- TFE RESIN PER AMS 3651
- 2. FINISH:
 GOLD PLATED PER MIL-G-45204 TYPE II, GRADE C, CLASS I (.000050 MIN)
 OVER NICKEL PLATE PER QQ-N-290 (.000050 MIN).
- 1. CONTACTS MEET THE ENVELOPE DIMENSIONAL REQUIREMENTS OF M39029/90.

NOTES:

THE USE OF THIS DOCUMENT IS UNLIMITED. HOWEVER, DOCUMENTS REFERENCED HEREON MAY CONTAIN LIMITED RIGHTS DATA.

RELEASED / Apr. 17 2008, 03:49 PM

DOCUMENT NO. 21-033398-231 SHEET 1 OF 1 REV. A

10-628485-561X
 NEXT ASSEMBLY

PRO/ENGINEER INFORMATION
 Pro/e Model Used:
 21-033398-231.ASSEM
 Drawing Name:
 21-033398-231

UNLESS OTHERWISE SPECIFIED	SPECIFICATIONS
LINEAR DIMENSIONS ARE IN INCHES TOLERANCES: .XXXX = ±.0005 ANGLES= ±2° .XXX = ±.010 .XX = ±.03 .X = ±.1	MATERIAL SPEC. N/A
DIM. & TOL. PER ASME Y14.5M; DRM PER MIL-DTL-31000; OTHER Amphenol Stds. PER 9-3800	PROCESS SPEC. N/A
LEGENDS: = FLAG NOTE CALL OUT REFERENCE ONLY	

I	I	21-033398-231M	CONTACT, PIN, QUADRAX, PCB	
POS	QTY	PART NUMBER	DESCRIPTION	NOTE
PARTS LIST				
APPROVALS PREPARED BY D. PHILLIPS ENGINEER IN CHARGE L. RATCHFORD DESIGN MANAGER H. JOHNSON DESIGN ACTIVITY GROUP MIL-AERO DEVELOP DATE 10-Apr-08 THIRD ANGLE PROJECTION				
AMPHENOL CORPORATION 40-60 DELAWARE AVENUE SIDNEY, N.Y. 13858 CONTACT, PIN, QUADRAX, ELECTRICAL CONNECTOR, TYPE M38999 I & III, PCB				
SIZE C	CAGE CODE 77820	DOCUMENT NO. 21-033398-231	REV. A	
SCALE: 10.0	REF. 21-033398-181	SHEET 1 OF 1		

21-033398-231

SHEET 1 OF 1

REV. A

C

B

A

FORMAT: C-0, E-1

D

C

VERSION 3

REVISION A

RELEASE STATE Released

REV. A

SHEET 1 OF 1

21-033398-231