

REV. A	SHEET 1 OF 1	DOCUMENT NO. 21-033398-251
REVISIONS		
LTR	DESCRIPTION	DATE
A	INITIAL RELEASE	-

21-033398-251

SHEET 1 OF 1

REV. A

C

B

A

D

C

VERSION 2

REVISION A

RELEASE STATE Released

REV. A

SHEET 1 OF 1

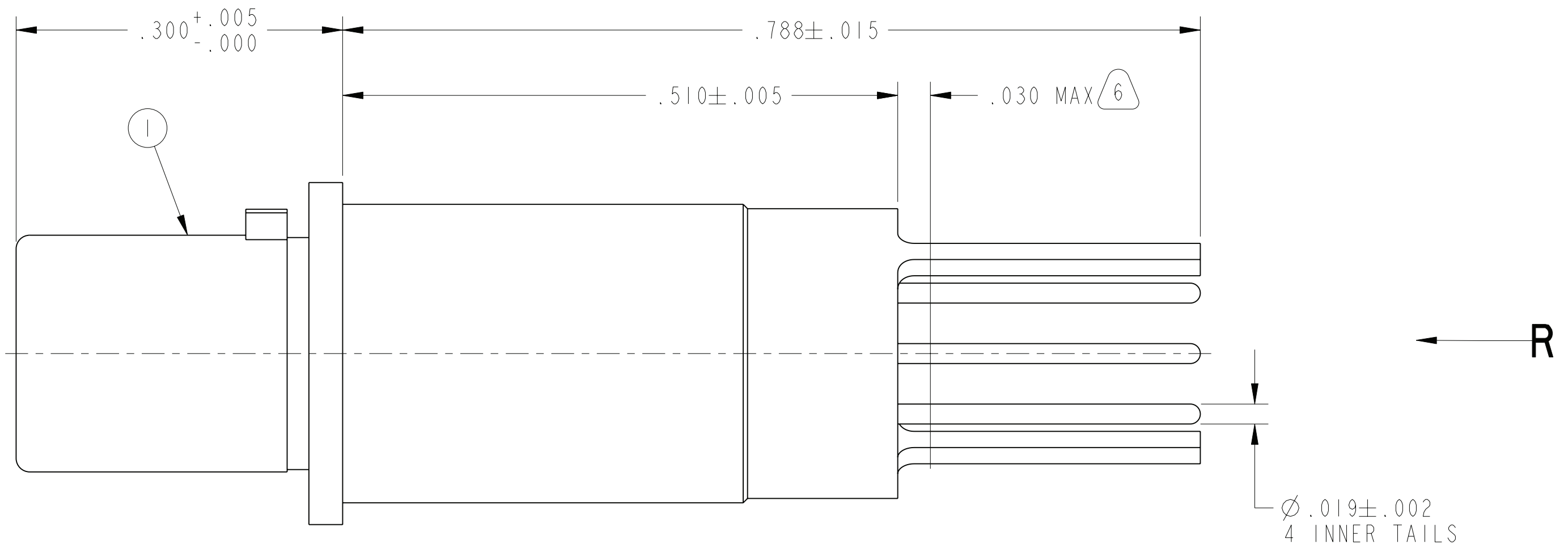
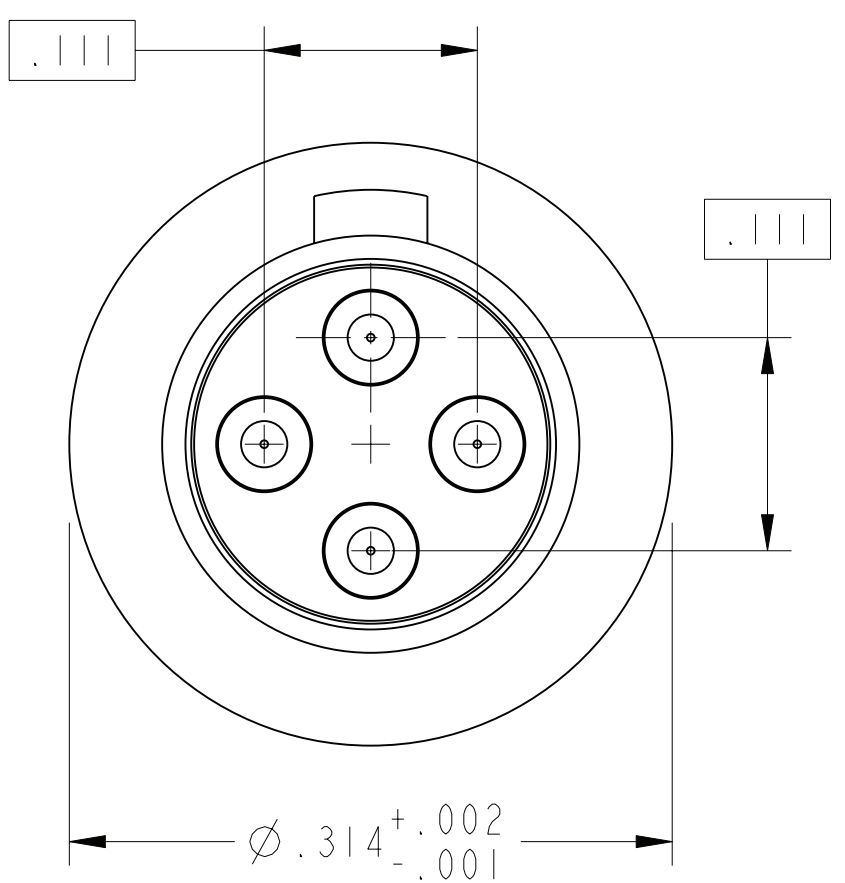
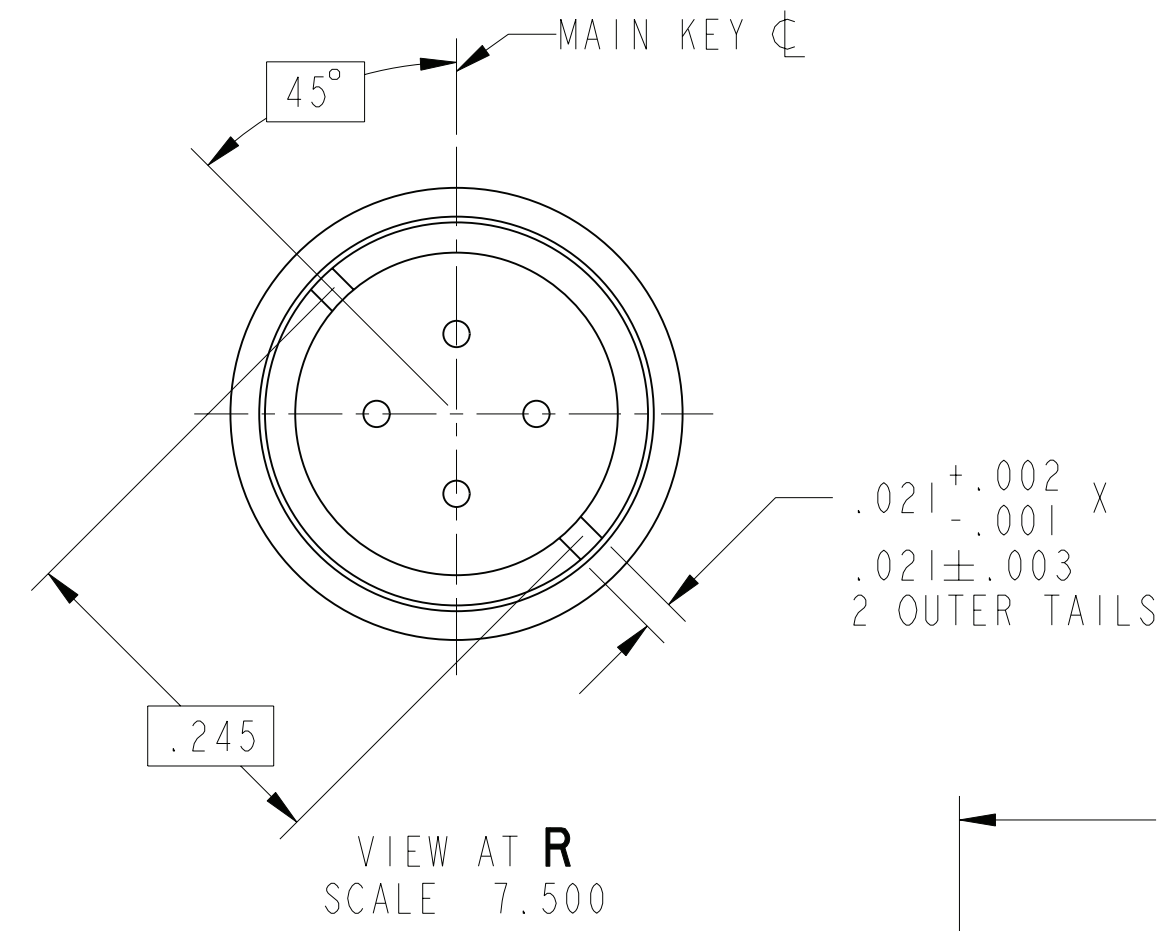
21-033398-251

REV. A

4

3

2



- CONTACTS MEET THE ENVELOPE DIMENSIONAL REQUIREMENTS OF M39029/90.
- FINISH:
GOLD PLATED PER MIL-G-45204 TYPE II, GRADE C, CLASS I (.000050 MIN)
OVER NICKEL PLATE PER QQ-N-290 (.000050 MIN).
- MATERIALS:
OUTER & INNER CONTACTS- BERYLLIUM COPPER PER ASTM-B-196
FRONT INSULATOR & SPACER INSULATOR- TFE RESIN PER AMS 3651
- MATES WITH M38999 QUADRAX SOCKETS 21-033385-051 & OTHERS.
- ALL DIMENSIONS ARE AFTER PLATING.
- EPOXY MAY BE PRESENT ON CONTACT TAILS IN INDICATED AREA.

NOTES:

THE USE OF THIS DOCUMENT IS UNLIMITED. HOWEVER, DOCUMENTS REFERENCED HEREON MAY CONTAIN LIMITED RIGHTS DATA.

RELEASED / Apr . 06 2010, 2:31:57 PM

DOCUMENT NO. 21-033398-251

SHEET 1 OF 1

REV. A

10-628485-755X

PRO/ENGINEER INFORMATION

Pro/e Model Used:

21-033398-251.ASSEM

Drawing Name:

21-033398-251

UNLESS OTHERWISE SPECIFIED	SPECIFICATIONS
LINEAR DIMENSIONS ARE IN INCHES TOLERANCES: .XXXX = \pm .0005 ANGLES= \pm 2° .XXX = \pm .010 .XX = \pm .03 .X = \pm .1	MATERIAL SPEC. N/A
DIM. & TOL. PER ASME Y14.5M; DRM PER MIL-DTL-31000; OTHER Amphenol Stds. PER 9-3800	PROCESS SPEC. N/A
LEGENDS: ∇ = FLAG NOTE CALL OUT REFERENCE ONLY	

I	I	21-033398-251M	CONTACT, PIN, QUADRAX, PCB	
POS	QTY	PART NUMBER	DESCRIPTION	NOTE
PARTS LIST				
AMPHENOL CORPORATION 40-60 DELAWARE AVENUE SIDNEY, N.Y. 13858				
CONTACT, PIN, QUADRAX, ELECTRICAL CONNECTOR, TYPE M38999 I & III, PCB				
APPROVALS	DATE			
PREPARED BY D. PHILLIPS	10-Feb-10			
ENGINEER IN CHARGE L. RATCHFORD				
DESIGN MANAGER R. SELFRIDGE				
DESIGN ACTIVITY GROUP MIL-AERO DEVELOP				
THIRD ANGLE PROJECTION				
SIZE	CAGE CODE	DOCUMENT NO.	REV.	
C	77820	21-033398-251	A	
SCALE: 10.0	REF. 21-033398-181	SHEET 1 OF 1		

4

3

2

1