

REV. B		SHEET 1 OF 1		DOCUMENT NO. 21-033398-281	
REVISIONS					
LTR	DESCRIPTION	DATE			
A	INITIAL RELEASE	10/11/2006			
B	(CL 1) ADDED NOTE 7 SEE ECN B1723	----			

21-033398-281

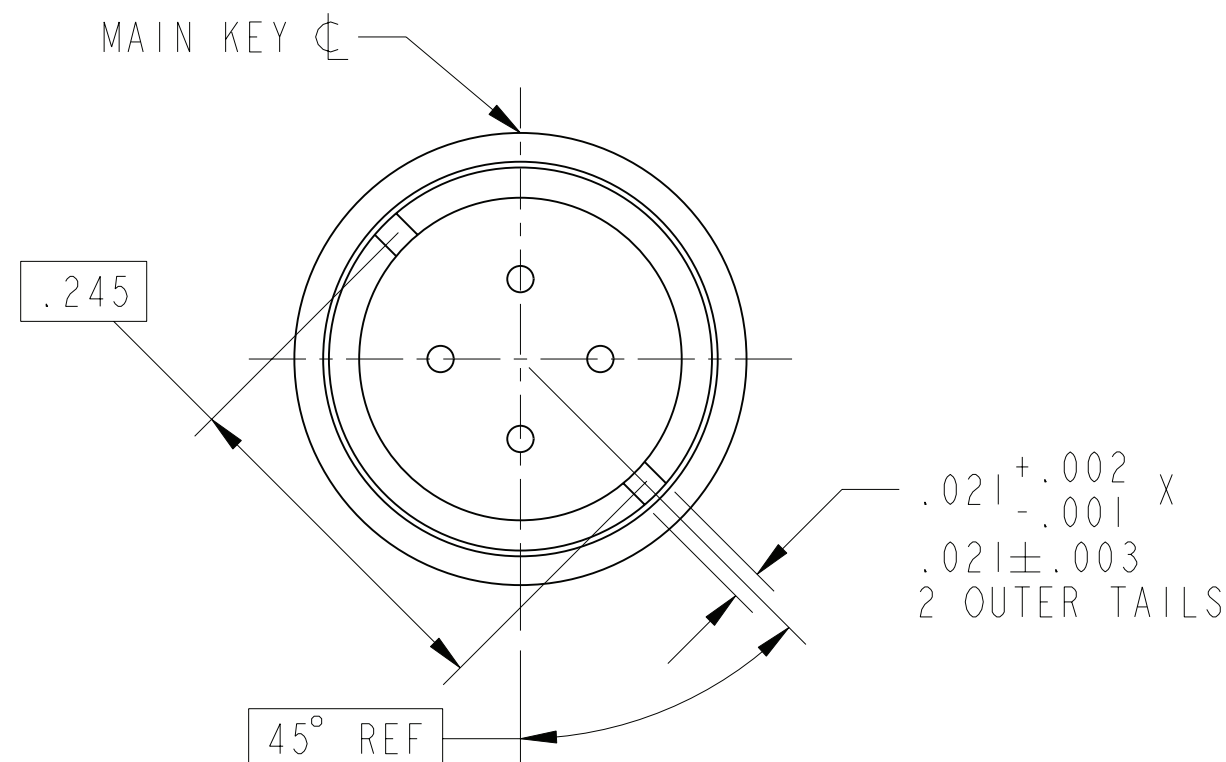
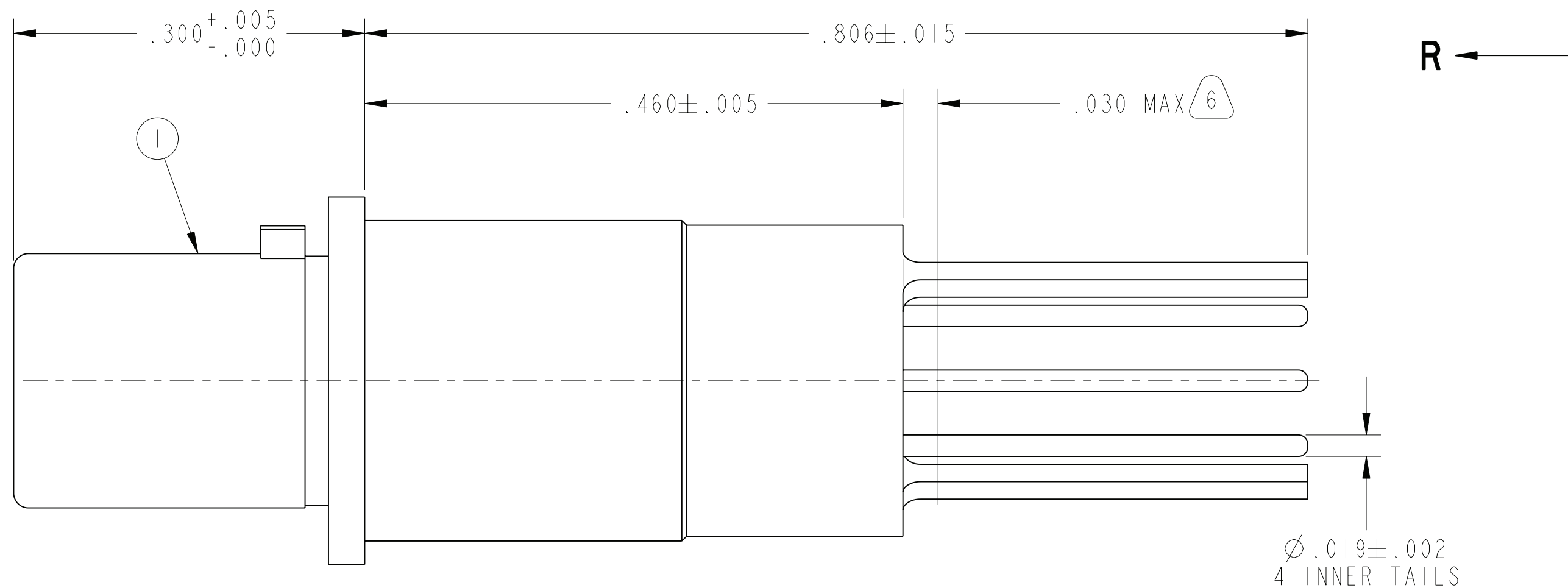
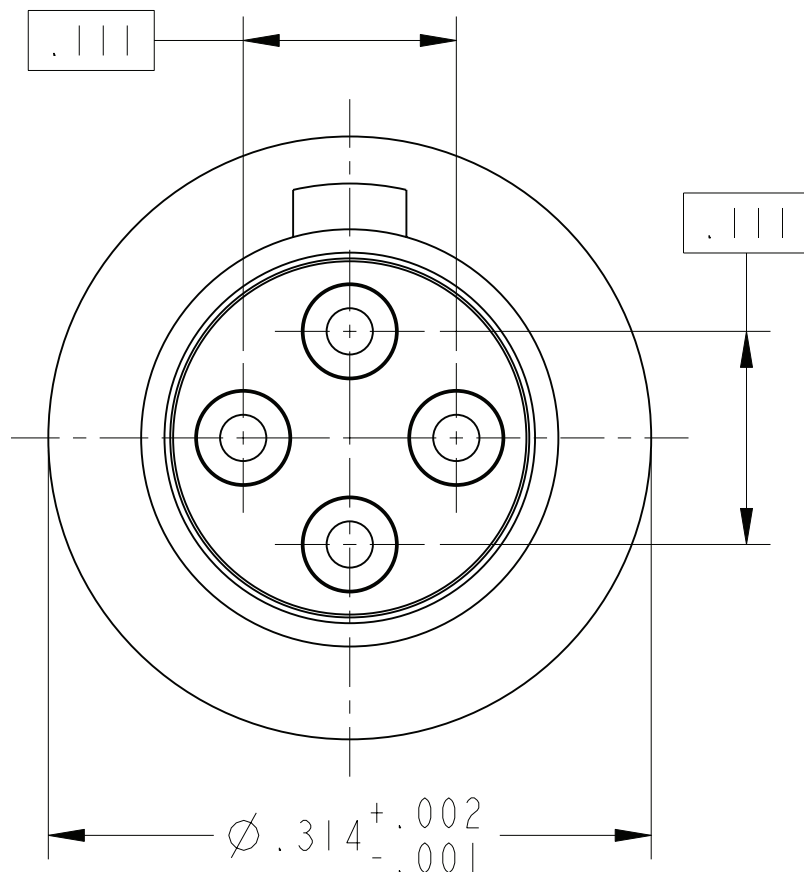
SHEET 1 OF 1

REV. B

C

B

A



VIEW AT R-R
SCALE 7.500

7. FOR LEAK CHECKED CONTACT ASSEMBLIES, ADD LAST CHARACTER SUFFIX TO PART NUMBER:

DESCRIPTION	SUFFIX	TEST
NOT CHECKED	<NONE>	<NONE>
10 ⁻³ CC/SEC He	-XXXZ	9-5266-111
15 PSI	-XXXV	9-5266-110
10 PSI	-XXXW	9-5266-110, EXCEPT 10PSI
5 PSI	-XXXV	9-5266-110, EXCEPT 5 PSI

6. EPOXY MAY BE PRESENT ON CONTACT TAILS IN INDICATED AREA.

5. ALL DIMENSIONS ARE AFTER PLATING.

4. MATES WITH M38999 QUADRAX SOCKETS 21-033385-051 & OTHERS.

3. MATERIALS:
OUTER & INNER CONTACTS- BERYLLIUM COPPER PER ASTM-B-196
FRONT INSULATOR & SPACER INSULATOR- TFE RESIN PER AMS 3651

2. FINISH:
GOLD PLATED PER MIL-G-45204 TYPE II, GRADE C, CLASS I (.000050 MIN)
OVER NICKEL PLATE PER QQ-N-290 (.000050 MIN).

1. CONTACTS MEET THE ENVELOPE DIMENSIONAL REQUIREMENTS OF M39029/90.

NOTES:

THE USE OF THIS DOCUMENT IS UNLIMITED. HOWEVER, DOCUMENTS REFERENCED HEREON MAY CONTAIN LIMITED RIGHTS DATA.

10-628485-433X	PRO/ENGINEER INFORMATION
NEXT ASSEMBLY	Pro/e Model Used:
	21-033398-281.ASSEM
	Drawing Name:
	21-033398-281

UNLESS OTHERWISE SPECIFIED		SPECIFICATIONS		PARTS LIST	
POS	QTY	PART NUMBER	DESCRIPTION	NOTE	
		21-033398-281M	CONTACT, PIN, QUADRAX, PCB		
LINEAR DIMENSIONS ARE IN INCHES TOLERANCES: .XXXX = ±.0005 ANGLES= ±2° .XXX = ±.010 .XX = ±.03 .X = ±.1		MATERIAL SPEC. N/A		APPROVALS	
DIM. & TOL. PER ASME Y14.5M; DRM PER MIL-DTL-31000; OTHER Amphenol Stds. PER 9-3800		PROCESS SPEC. N/A		DATE 29-Mar-06	
LEGENDS: =FLAG NOTE CALL OUT REFERENCE ONLY		THIRD ANGLE PROJECTION		AMPHENOL CORPORATION 40-60 DELAWARE AVENUE SIDNEY, NY. 13858	
				CONTACT, PIN, QUADRAX, BOX PATTERN, ELECTRICAL CONNECTOR, TYPE M38999 I & III, PCB	
				SIZE C	CAGE CODE 77820
				DOCUMENT NO. 21-033398-281	REV. B
				SCALE: 10.0	REF. 21-033398-191
				SHEET 1 OF 1	

21-033398-281

SHEET 1 OF 1

REV. B

C

B

A

21-033398-281