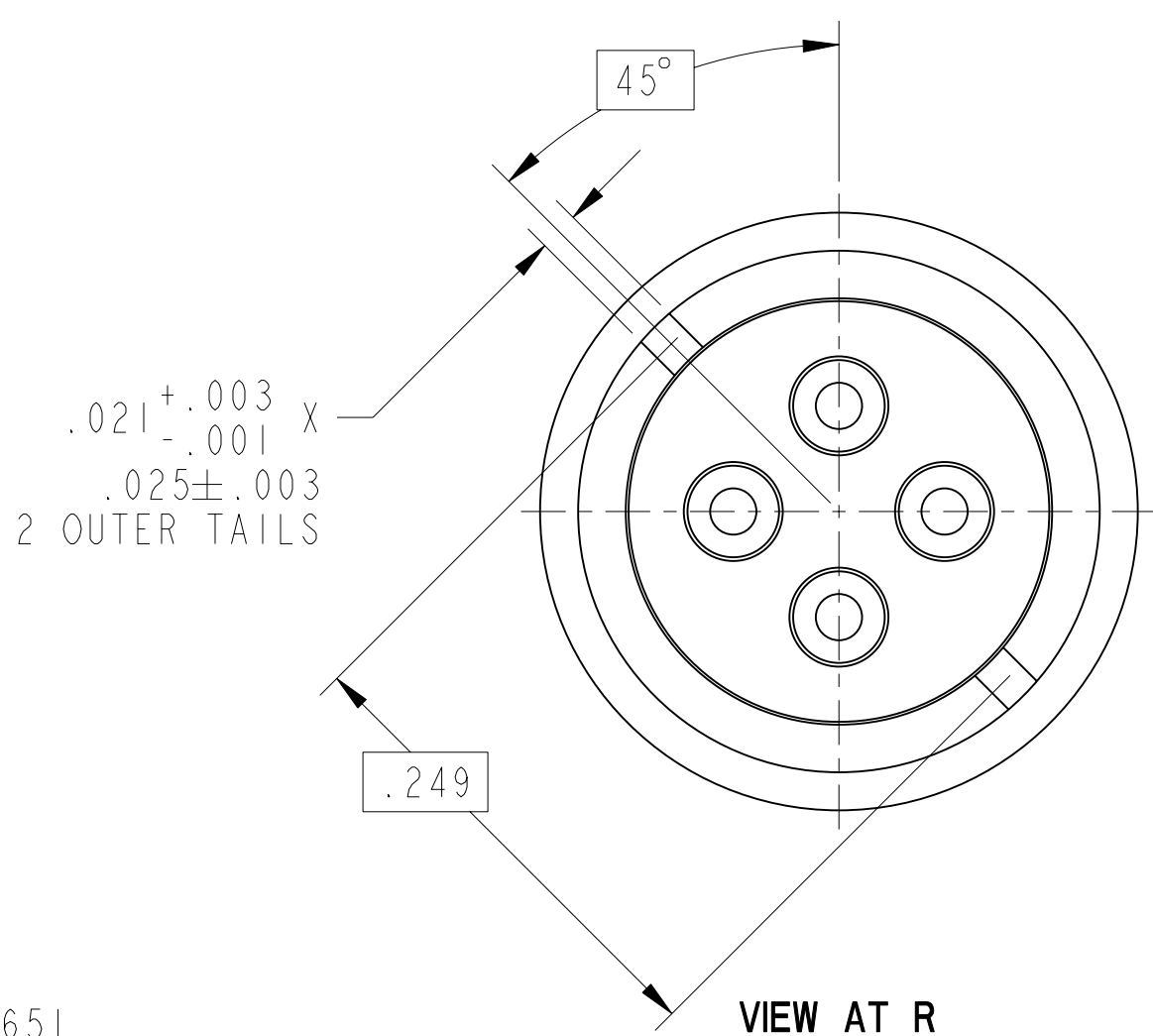
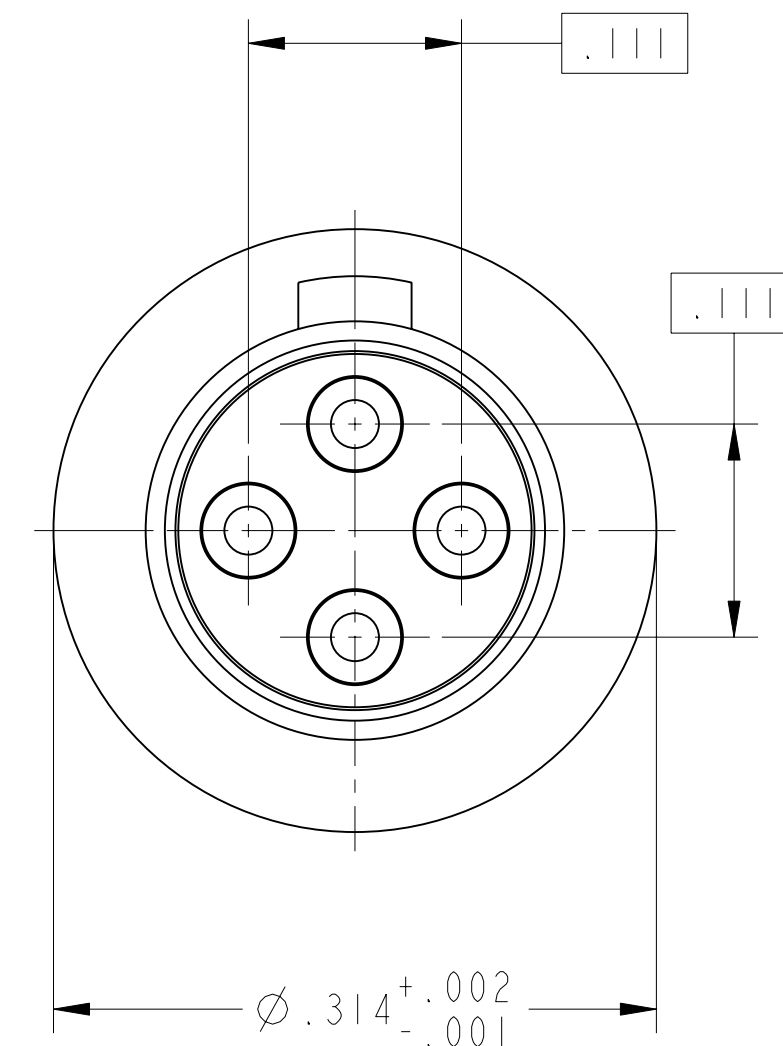
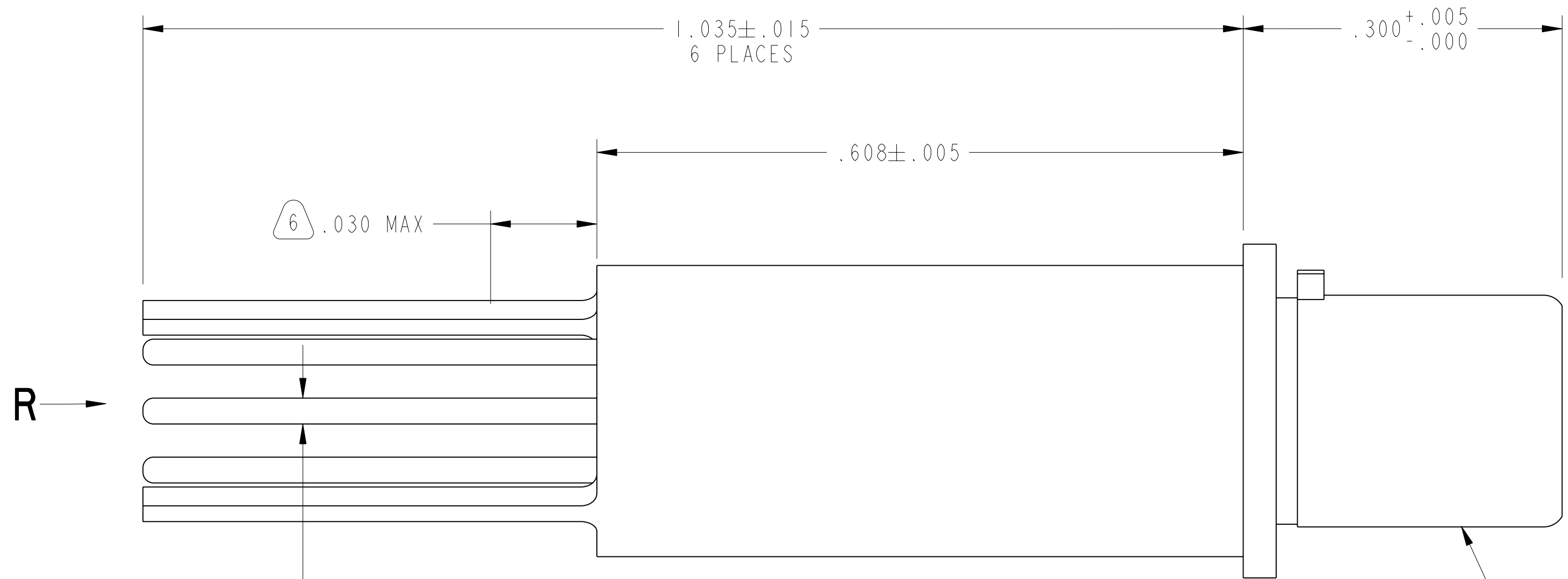


REV. A	SHEET 1 OF 1	DOCUMENT NO. 21-033398-291
REVISIONS		
LTR	DESCRIPTION	DATE
A	INITIAL RELEASE	-



- 6. EPOXY MAY BE PRESENT ON CONTACT TAILS IN INDICATED AREA.
- 5. ALL DIMENSIONS ARE AFTER PLATING.
- 4. MATES WITH M38999 QUADRAX SOCKETS 21-33385-() & OTHERS.
- 3. MATERIALS:
OUTER & INNER CONTACTS- BERYLLIUM COPPER PER ASTM-B-196
FRONT INSULATOR & SPACER INSULATOR- TFE RESIN PER AMS 3651
- 2. FINISH:
GOLD PLATED PER MIL-G-45204 TYPE II, GRADE C, CLASS I (.000050 MIN)
OVER NICKEL PLATE PER QQ-N-290 (.000050 MIN).
- 1. CONTACTS MEET THE ENVELOPE DIMENSIONAL REQUIREMENTS OF M39029/90.

NOTES:

THE USE OF THIS DOCUMENT IS UNLIMITED. HOWEVER, DOCUMENTS REFERENCED HEREON MAY CONTAIN LIMITED RIGHTS DATA.

DOCUMENT NO.	SHEET 1 OF 1	REV. A
21-033398-291		

PRO/ENGINEER INFORMATION
Pro/e Model Used:
21-033398-291.ASSEM
Drawing Name:
21-033398-291

UNLESS OTHERWISE SPECIFIED	SPECIFICATIONS
LINEAR DIMENSIONS ARE IN INCHES TOLERANCES: .XXXX = ±.0005 ANGLES= ±2° .XXX = ±.010 .XX = ±.03 .X = ±.1	MATERIAL SPEC. SEE NOTE 3
DIM. & TOL. PER ASME Y14.5M; DRM PER MIL-DTL-31000; OTHER Amphenol Stds. PER 9-3800	PROCESS SPEC. N/A
LEGENDS: = FLAG NOTE CALL OUT REFERENCE ONLY	

I	I	21-33398-291M	CONTACT, PIN, QUADRAX, PCB	
POS	QTY	PART NUMBER	DESCRIPTION	NOTE
PARTS LIST				
AMPHENOL CORPORATION 40-60 DELAWARE AVENUE SIDNEY, N.Y. 13858				
CONTACT, PIN, QUADRAX, ELECTRICAL CONNECTOR, TYPE M38999 I & III, PCB				
SIZE	CAGE CODE	DOCUMENT NO.	REV.	
C	77820	21-033398-291	A	
SCALE: 10.0	REF. 21-33398-21	SHEET 1 OF 1		

DOCUMENT NO. 21-033398-291
 SHEET 1 OF 1
 REV. A
 C
 B
 A

D
 C
 B
 A
 REV. 0
 REVISION A
 RELEASE STATE WIP
 SHEET 1 OF 1
 DOCUMENT NO. 21-033398-291