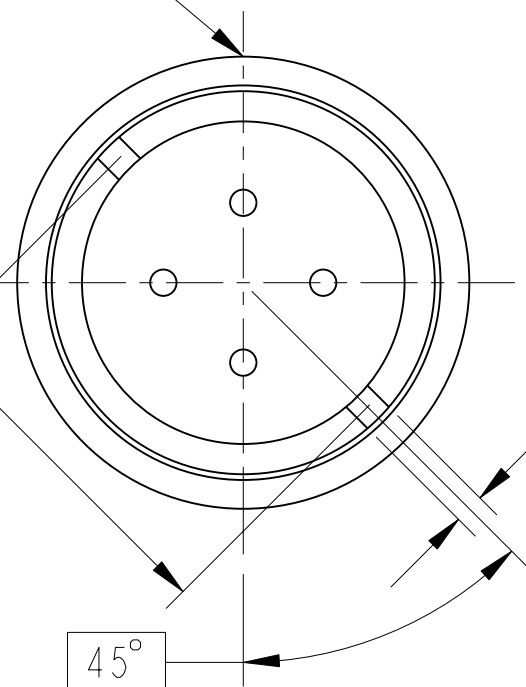


REV. A	SHEET 1 OF 1	DOCUMENT NO. 21-033398-301
REVISIONS M		
LTR	DESCRIPTION	DATE
A	INITIAL RELEASE	-

MAIN KEY ϕ

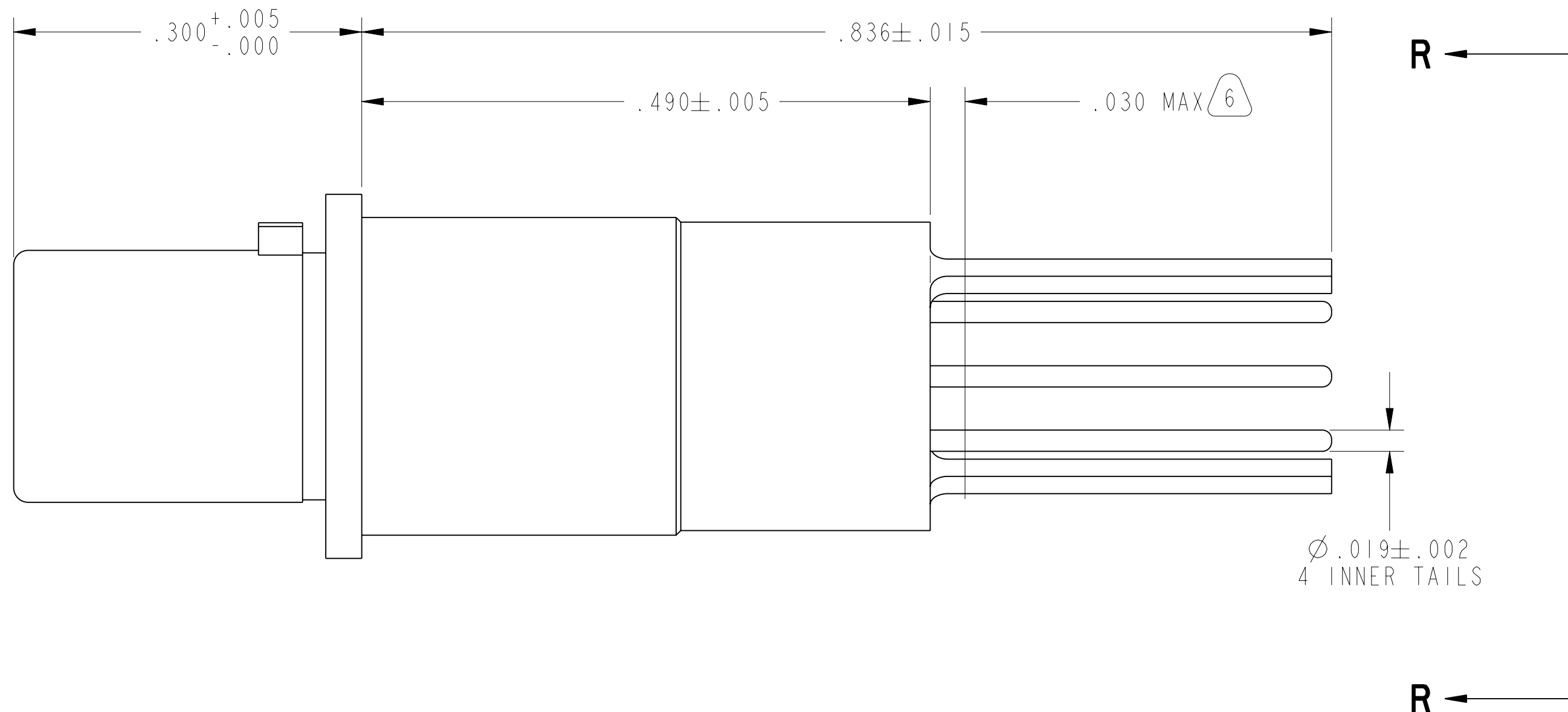
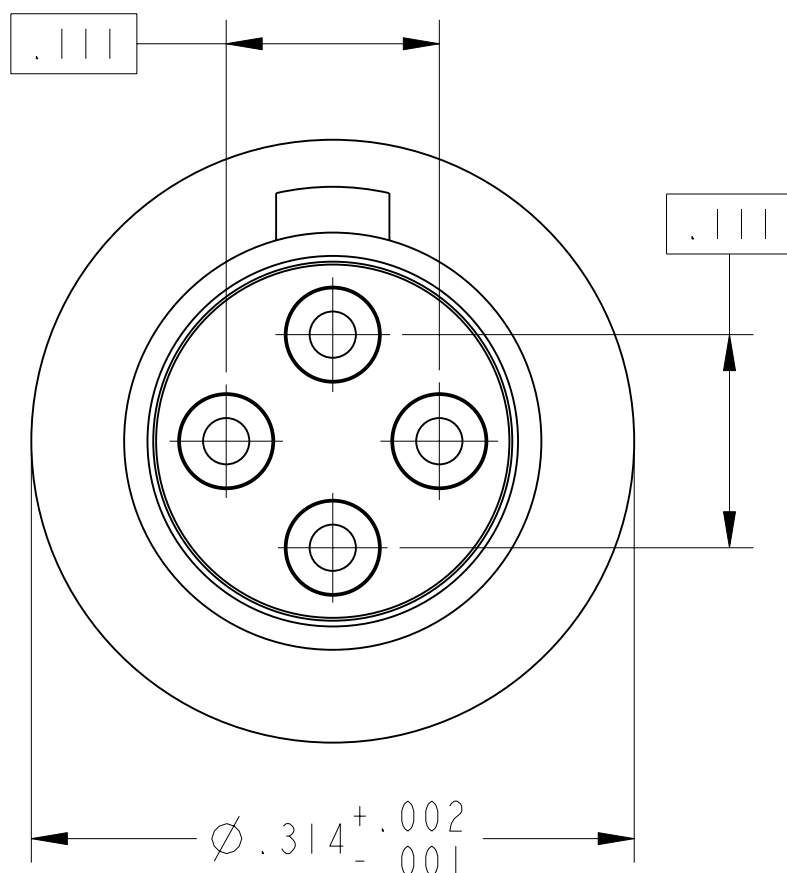
.245



.021^{+.002}_{-.001} X
 .021±.003
 2 OUTER TAILS

45°

VIEW AT R-R
SCALE 7.500



- CONTACTS MEET THE ENVELOPE DIMENSIONAL REQUIREMENTS OF M39029/90.
- FINISH:
GOLD PLATED PER MIL-G-45204 TYPE II, GRADE C, CLASS I (.000050 MIN)
OVER NICKEL PLATE PER QQ-N-290 (.000050 MIN).
- MATERIALS:
OUTER & INNER CONTACTS- BERYLLIUM COPPER PER ASTM-B-196
FRONT & SPACER INSULATOR- PFA PER ASTM D3307 OR PTFE PER ASTM D 1710
- MATES WITH M38999 QUADRAX SOCKETS 21-033385-051 & OTHERS.
- ALL DIMENSIONS ARE AFTER PLATING.
- EPOXY MAY BE PRESENT ON CONTACT TAILS IN INDICATED AREA.

NOTES:

THE USE OF THIS DOCUMENT IS UNLIMITED. HOWEVER, DOCUMENTS REFERENCED HEREON MAY CONTAIN LIMITED RIGHTS DATA.

N/A
NEXT ASSEMBLY

PRO/ENGINEER INFORMATION
 Pro/e Model Used:
 21-033398-301.ASSEM
 Drawing Name:
 21-033398-301

UNLESS OTHERWISE SPECIFIED	SPECIFICATIONS	POS	QTY	PART NUMBER	DESCRIPTION	NOTE
LINEAR DIMENSIONS ARE IN INCHES TOLERANCES: .XXXX = ±.0005 ANGLES= ±2° .XXX = ±.010 .XX = ±.03 .X = ±.1 DIM. & TOL. PER ASME Y14.5M; DRM PER MIL-DTL-31000; OTHER Amphenol Stds. PER 9-3800 LEGENDS: =FLAG NOTE CALL OUT REFERENCE ONLY	MATERIAL SPEC.	PARTS LIST				
	N/A	AMPHENOL CORPORATION 40-60 DELAWARE AVENUE SIDNEY, N.Y. 13858 CONTACT, PIN, QUADRAX, BOX PATTERN, ELECTRICAL CONNECTOR, TYPE M38999 I & III, PCB				
PROCESS SPEC.	N/A	THIRD ANGLE PROJECTION		APPROVALS PREPARED BY D. PHILLIPS ENGINEER IN CHARGE L. RATCHFORD DESIGN MANAGER H. JOHNSON DESIGN ACTIVITY GROUP MIL-AERO DEVELOP DATE 11-May-06	SIZE C CAGE CODE 77820 SCALE: 10.0	DOCUMENT NO. 21-033398-301 REF. 21-033398-281 SHEET 1 OF 1

RELEASED / Jan . 19 2015, 1:28:58 PM

DOCUMENT NO. 21-033398-301

SHEET 1 OF 1

REV. A

DOCUMENT NO. 21-033398-301
 SHEET 1 OF 1
 REV. A
 Eng. PDM Information For Reference Only
 REVISION A
 VERSION 4

DOCUMENT NO. 21-033398-301
 SHEET 1 OF 1
 REV. A

C

B

A