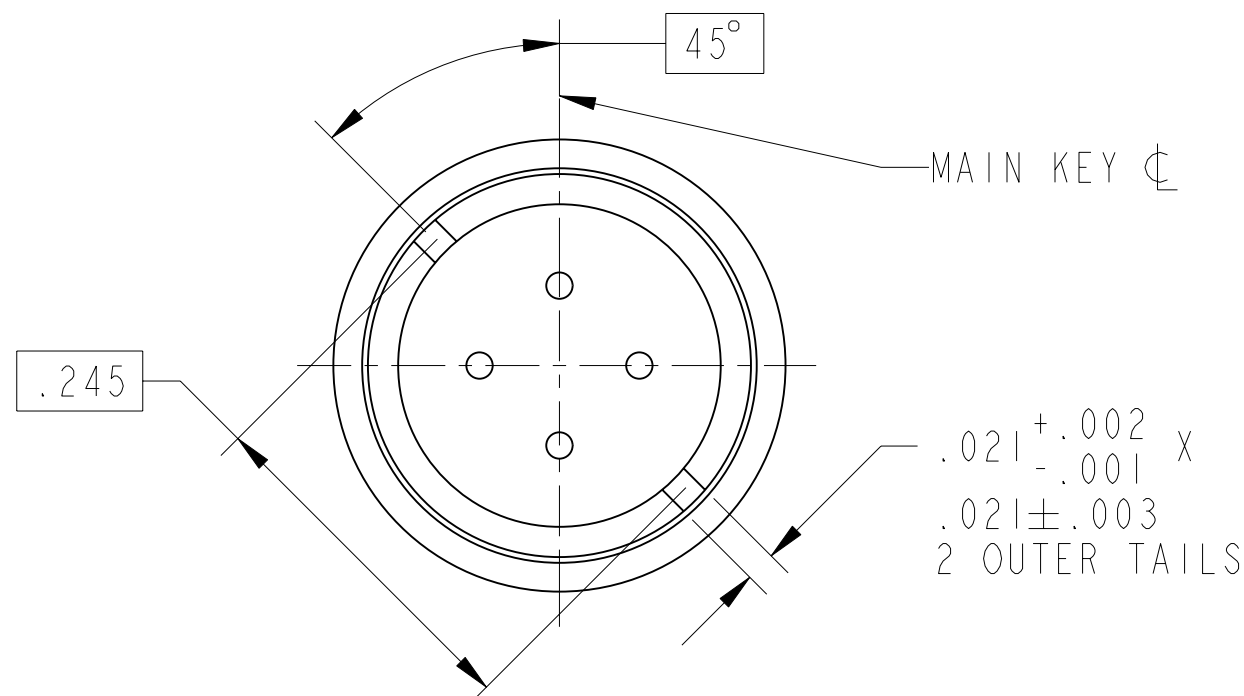
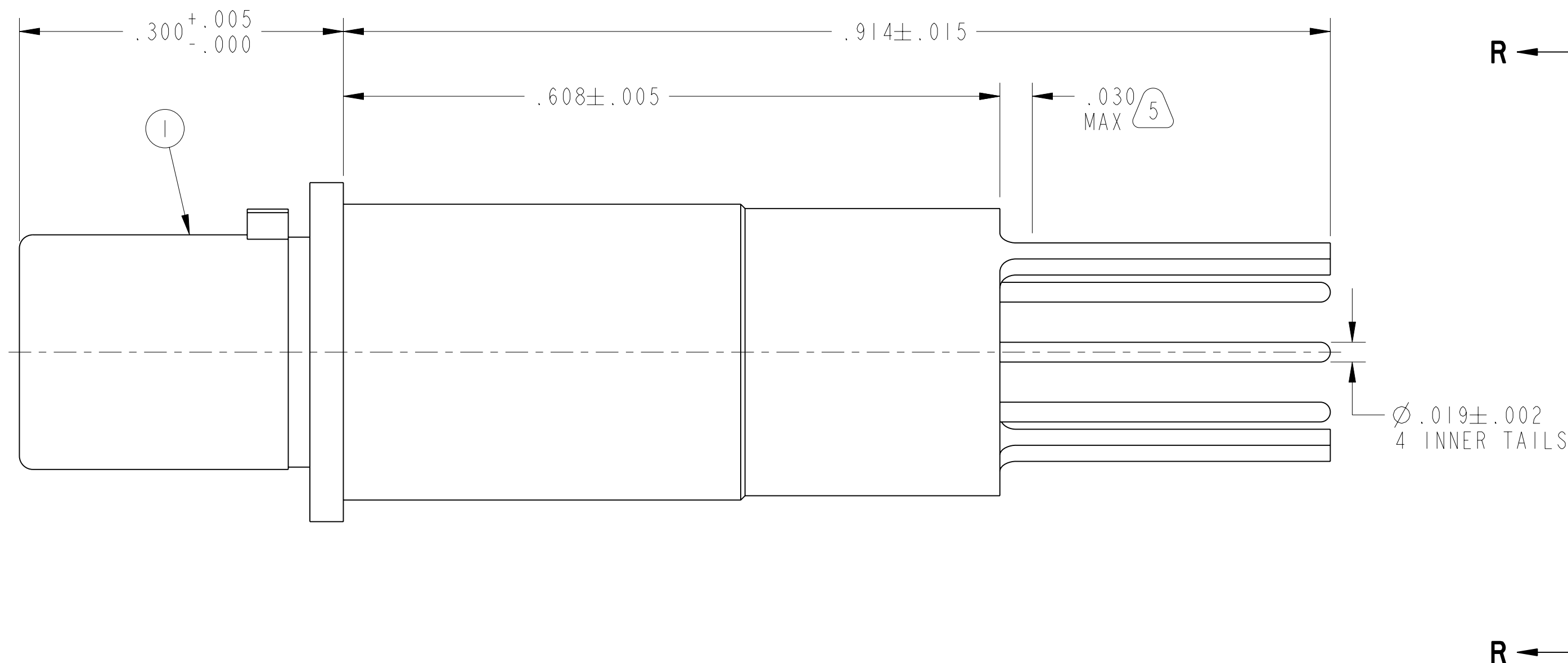
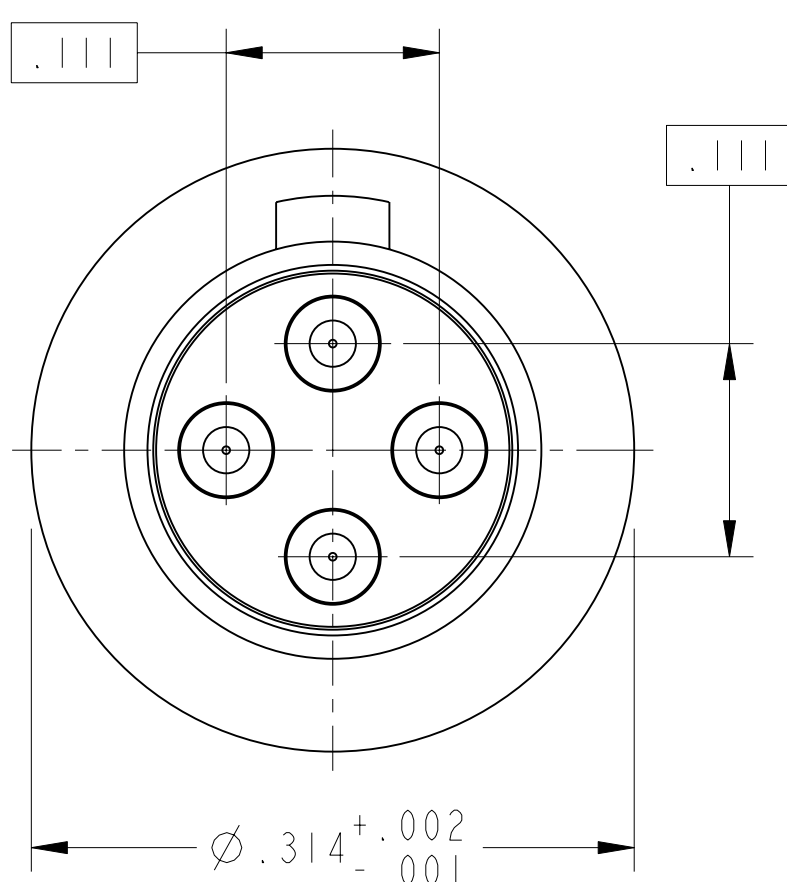


REV. A	SHEET 1 OF 1	DOCUMENT NO. 21-033398-381
REVISIONS		
LTR	DESCRIPTION	DATE
A	INITIAL RELEASE	-



VIEW AT R-R
SCALE 7.500



- CONTACTS MEET THE ENVELOPE DIMENSIONAL REQUIREMENTS OF M39029/90.
- FINISH:
GOLD PLATED PER MIL-G-45204 TYPE II, GRADE C, CLASS I (.000050 MIN)
OVER NICKEL PLATE PER QQ-N-290 (.000050 MIN).
- MATERIALS:
OUTER & INNER CONTACTS- BERYLLIUM COPPER PER ASTM-B-196
FRONT INSULATOR & SPACER INSULATOR- TFE RESIN PER AMS 3651
- MATES WITH M38999 QUADRAX SOCKETS 21-033385-051 & OTHERS.
- EPOXY MAY BE PRESENT ON CONTACT TAILS IN INDICATED AREA.

NOTES:

THE USE OF THIS DOCUMENT IS UNLIMITED. HOWEVER, DOCUMENTS REFERENCED HEREON MAY CONTAIN LIMITED RIGHTS DATA.

UNLESS OTHERWISE SPECIFIED	SPECIFICATIONS
LINEAR DIMENSIONS ARE IN INCHES TOLERANCES: .XXXX = ±.0005 ANGLES= ±2° .XXX = ±.010 .XX = ±.03 .X = ±.1	MATERIAL SPEC. N/A
DIM. & TOL. PER ASME Y14.5M; DRM PER MIL-DTL-31000; OTHER Amphenol Stds. PER 9-3800	PROCESS SPEC. N/A
LEGENDS: = FLAG NOTE CALL OUT REFERENCE ONLY	

POS	QTY	21-033398-381M	PIN, QUADRAX, PCB	NOTE
PARTS LIST				
AMPHENOL CORPORATION 40-60 DELAWARE AVENUE SIDNEY, N.Y. 13858				
CONTACT, PIN, QUADRAX, ELECTRICAL CONNECTOR, TYPE M38999 I & III, PCB				
SIZE	CAGE CODE	DOCUMENT NO.	REV.	
C	77820	21-033398-381	A	
SCALE: 10.0		REF. 21-033398-361	SHEET 1 OF 1	

PRO/ENGINEER INFORMATION
Pro/e Model Used:
21-033398-381.ASSEM
Drawing Name:
21-033398-381

10-628485-132X
NEXT ASSEMBLY

RELEASED / Jan . 31 2008, 04:19 PM

DOCUMENT NO. 21-033398-381

SHEET 1 OF 1

REV. A

DOCUMENT NO. 21-033398-381

SHEET 1 OF 1

REV. A

RELEASE STATE Released

REVISION A

REVISION Z

REV. A

SHEET 1 OF 1

DOCUMENT NO. 21-033398-381