

REV. A	SHEET 1 OF 1	DOCUMENT NO. 21-033398-401
REVISIONS		
LTR	DESCRIPTION	DATE
A	INITIAL RELEASE	-

21-033398-401

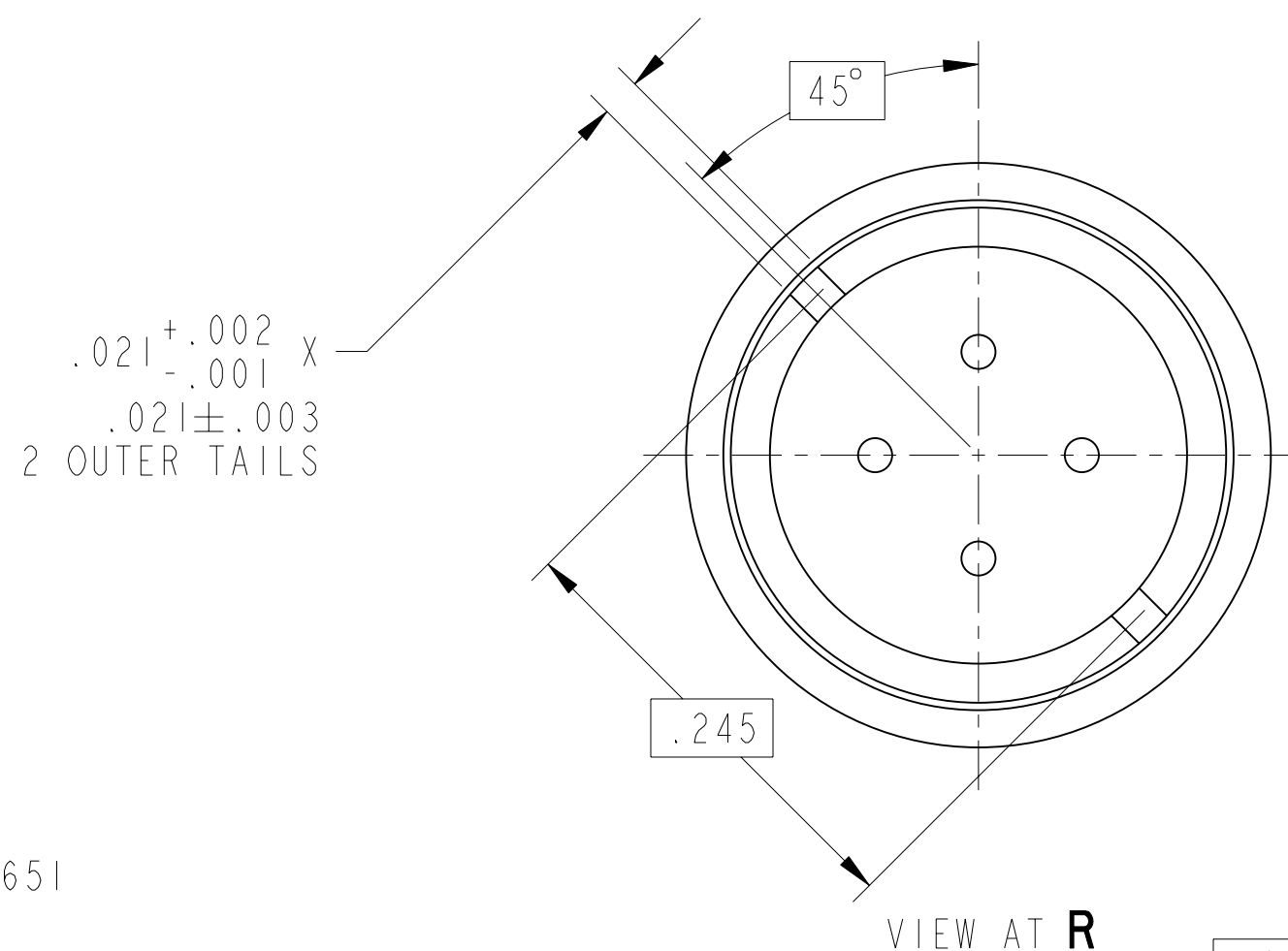
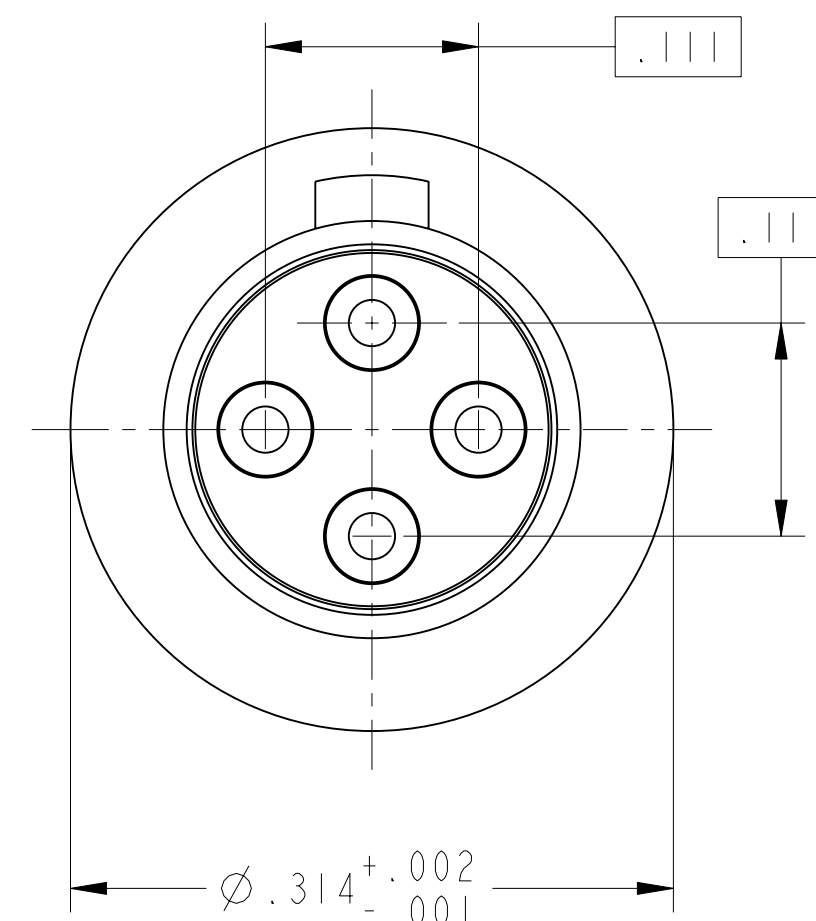
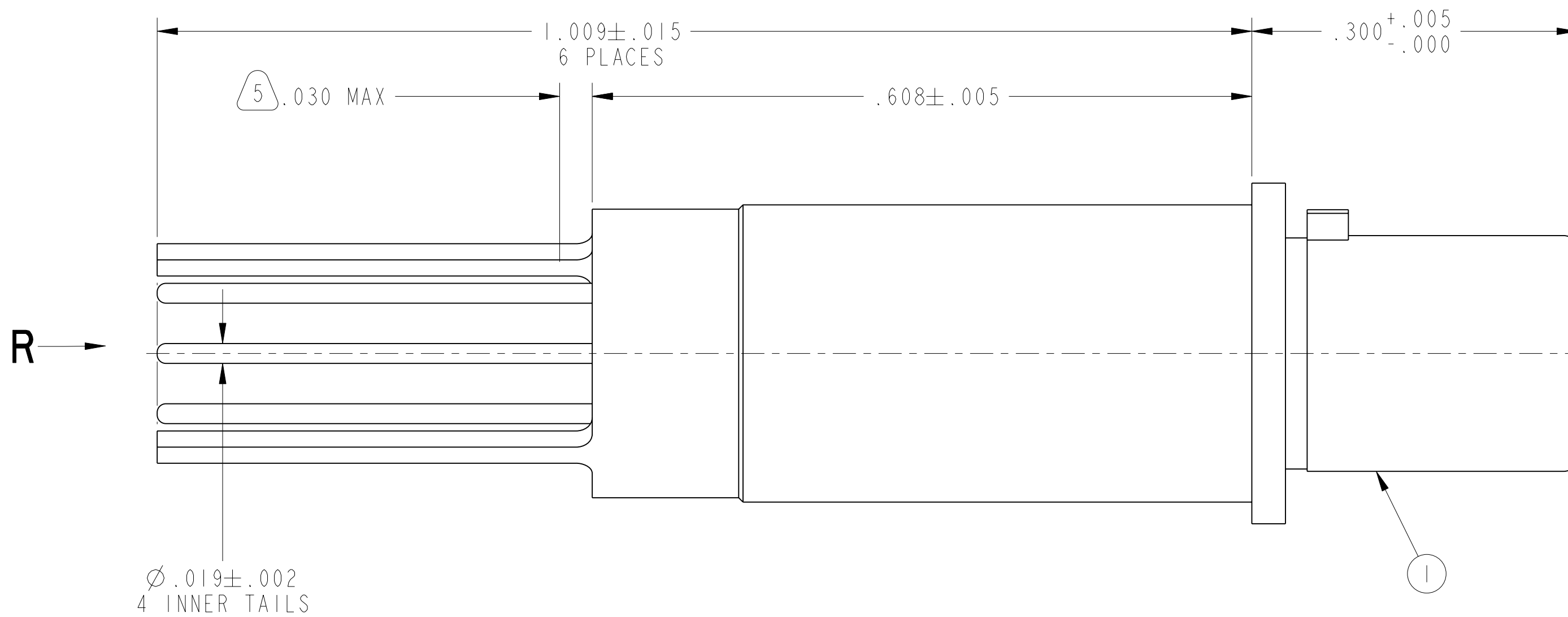
SHEET 1 OF 1

REV. A

C

B

A



- CONTACTS MEET THE ENVELOPE DIMENSIONAL REQUIREMENTS OF M39029/90.
- FINISH: GOLD PLATED IN ACCORDANCE WITH AS39029. OVER NICKEL PLATE PER QQ-N-290 (.000050 MIN).
- MATERIALS: OUTER & INNER CONTACTS- BERYLLIUM COPPER PER ASTM-B-196 FRONT INSULATOR & SPACER INSULATOR- TFE RESIN PER AMS 3651
- MATES WITH M38999 QUADRAX SOCKETS 21-033385-() & OTHERS.
- EPOXY MAY BE PRESENT ON CONTACT TAILS IN INDICATED AREA.

NOTES:

THE USE OF THIS DOCUMENT IS UNLIMITED. HOWEVER, DOCUMENTS REFERENCED HEREON MAY CONTAIN LIMITED RIGHTS DATA.

RELEASED / Feb . 07 2013, 9:08:59 AM

21-033398-401

SHEET 1 OF 1

REV. A

10-646402-070X

NEXT ASSEMBLY

PRO/ENGINEER INFORMATION

Pro/e Model Used: 21-033398-401.ASSEM Drawing Name: 21-033398-401

UNLESS OTHERWISE SPECIFIED	SPECIFICATIONS
LINEAR DIMENSIONS ARE IN INCHES TOLERANCES: .XXXX = ±.0005 ANGLES= ±2° .XXX = ±.010 .XX = ±.03 .X = ±.1	MATERIAL SPEC. N/A
DIM. & TOL. PER ASME Y14.5M; DRM PER MIL-DTL-31000; OTHER Amphenol Stds. PER 9-3800	PROCESS SPEC. N/A
LEGENDS: = FLAG NOTE CALL OUT REFERENCE ONLY	

POS	QTY	21-033398-401M	CONTACT, PIN, QUADRAX, PCB	NOTE
PARTS LIST				
APPROVALS				
PREPARED BY	D. PHILLIPS	DATE		
ENGINEER IN CHARGE	L. RATCHFORD	01-Feb-13		
DESIGN MANAGER	R. SELFRIDGE			
DESIGN ACTIVITY GROUP	MIL-AERO DEVELOP			
THIRD ANGLE PROJECTION				
SIZE	C	CAGE CODE	77820	DOCUMENT NO.
SCALE:	10.0			21-033398-401
		REF.	21-033398-431	SHEET 1 OF 1

AMPHENOL CORPORATION
40-60 DELAWARE AVENUE
SIDNEY, N.Y. 13858

CONTACT, PIN, QUADRAX,
ELECTRICAL CONNECTOR,
TYPE M38999 I & III, PCB

21-033398-401

VERSION 3

REVISION A

Eng PDM Information For Reference Only

REV. A

SHEET 1 OF 1

DOCUMENT NO. 21-033398-401

REV. A