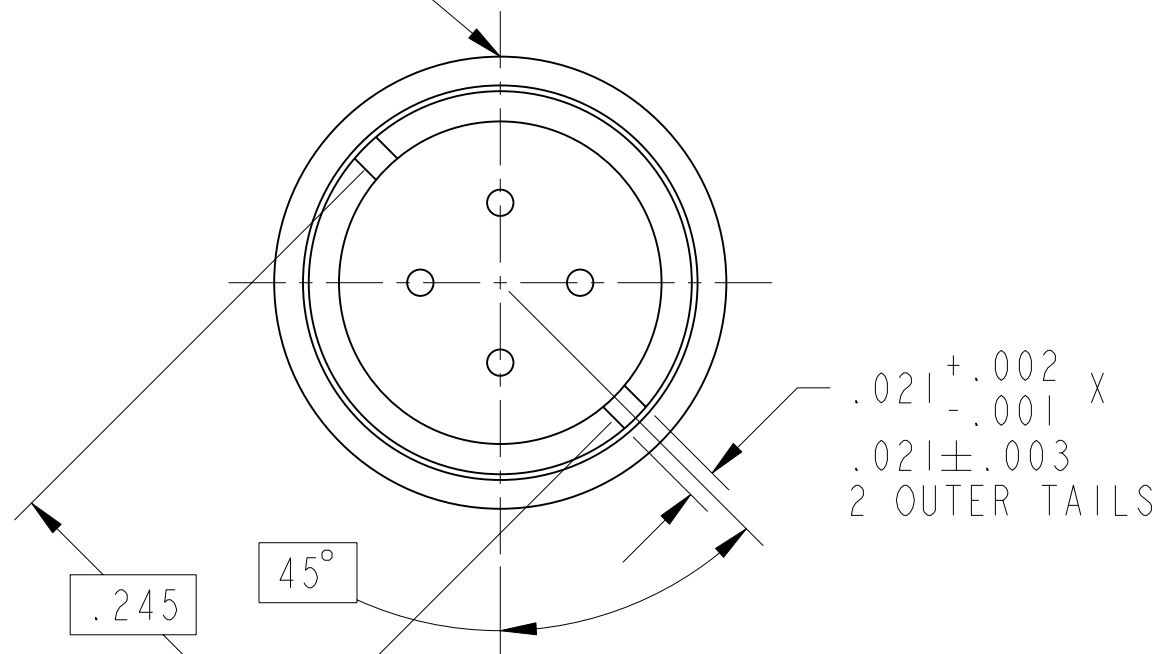
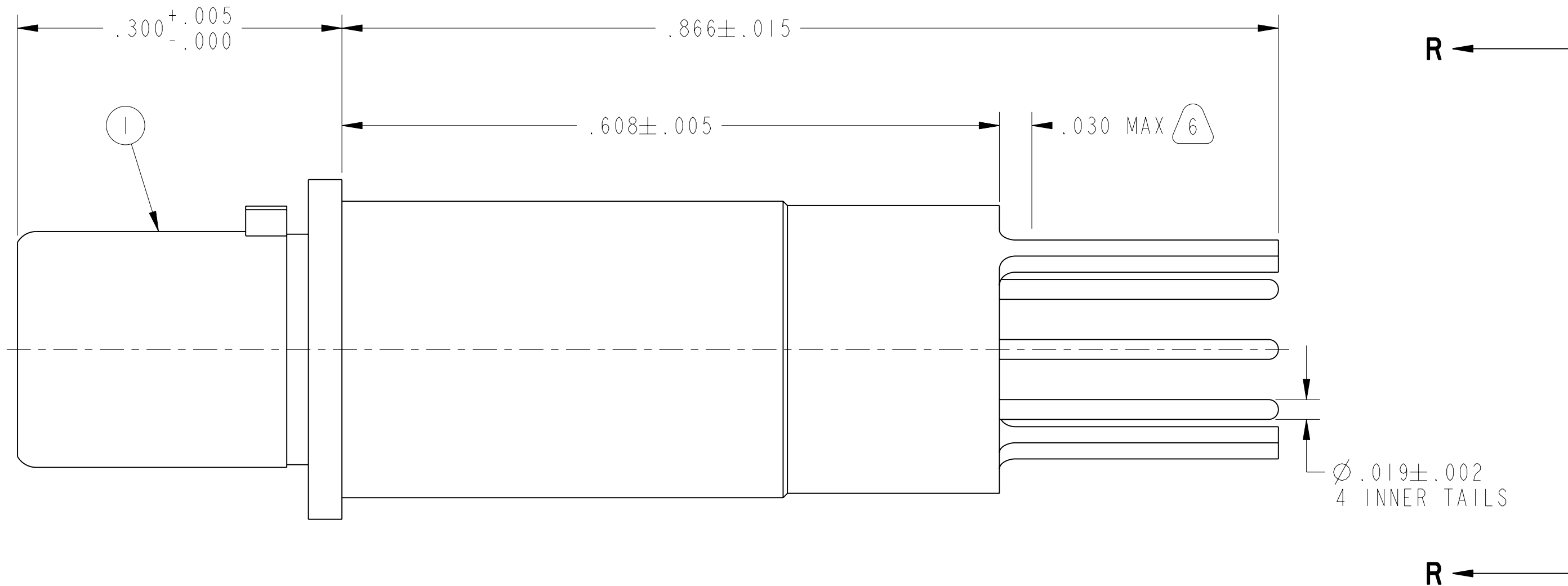
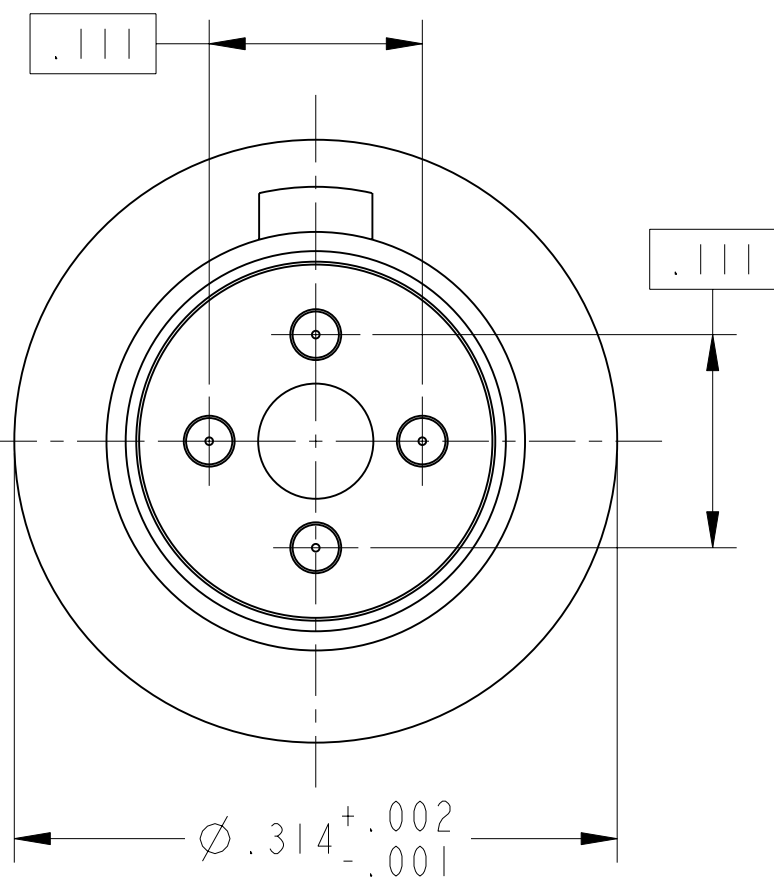


REV. A	SHEET 1 OF 1	DOCUMENT NO. 21-033398-411
REVISIONS		
LTR	DESCRIPTION	DATE
A	INITIAL RELEASE	-

MAIN KEY ϕ



VIEW AT R-R
SCALE 7.500



6. EPOXY MAY BE PRESENT ON CONTACT TAILS IN INDICATED AREA.
5. ALL DIMENSIONS ARE AFTER PLATING.
4. MATES WITH M38999 QUADRAX SOCKETS 21-033385-191 & OTHERS.
3. MATERIALS:
OUTER & INNER CONTACTS- BERYLLIUM COPPER PER ASTM-B-196
FRONT INSULATOR & SPACER INSULATOR- TFE RESIN PER AMS 3651
2. FINISH:
GOLD PLATED PER MIL-G-45204 TYPE II, GRADE C, CLASS I (.000050 MIN)
OVER NICKEL PLATE PER QQ-N-290 (.000050 MIN).
1. CONTACTS MEET THE ENVELOPE DIMENSIONAL REQUIREMENTS OF M39029/90.

NOTES:

THE USE OF THIS DOCUMENT IS UNLIMITED. HOWEVER, DOCUMENTS REFERENCED HEREON MAY CONTAIN LIMITED RIGHTS DATA.

RELEASED / Jan . 31 2008, 04:18 PM

DOCUMENT NO. 21-033398-411

SHEET 1 OF 1

REV. A

10-628485-579X

NEXT ASSEMBLY

PRO/ENGINEER INFORMATION

Pro/e Model Used:
21-033398-411.ASSEM
Drawing Name:
21-033398-411

UNLESS OTHERWISE SPECIFIED

LINEAR DIMENSIONS ARE IN INCHES
TOLERANCES:
.XXXX = ±.0005 ANGLES= ±2°
.XXX = ±.010
.XX = ±.03
.X = ±.1

DIM. & TOL. PER ASME Y14.5M;
DRM PER MIL-DTL-31000;
OTHER Amphenol Stds. PER 9-3800

LEGENDS:
= FLAG NOTE CALL OUT
REFERENCE ONLY

SPECIFICATIONS

MATERIAL SPEC.

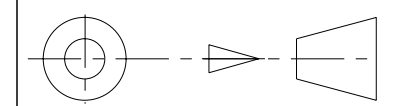
PROCESS SPEC.

N/A

I	I	21-033398-411M	CONTACT, PIN, QUADRAX, PCB	
POS	QTY	PART NUMBER	DESCRIPTION	NOTE

APPROVALS		DATE
PREPARED BY	J. BORDEAU	07-Jan-08
ENGINEER IN CHARGE	D. PHILLIPS	
DESIGN MANAGER	H. JOHNSON	
DESIGN ACTIVITY GROUP	MIL-AERO	

THIRD ANGLE PROJECTION



PARTS LIST			
AMPHENOL CORPORATION 40-60 DELAWARE AVENUE SIDNEY, N.Y. 13856			
CONTACT, PIN, QUADRAX, ELECTRICAL CONNECTOR, TYPE M38999 I & III, PCB			
SIZE C	CAGE CODE 77820	DOCUMENT NO. 21-033398-411	REV. A
SCALE: 10:0	REF. 21-33398-31	SHEET 1 OF 1	

21-033398-411

SHEET 1 OF 1

REV. A

C

B

A

FORMAT: C-U-E-1

D

C

VERSION

REVISION

RELEASE STATE

Released

REV.

SHEET 1 OF 1

21-033398-411

REV. A