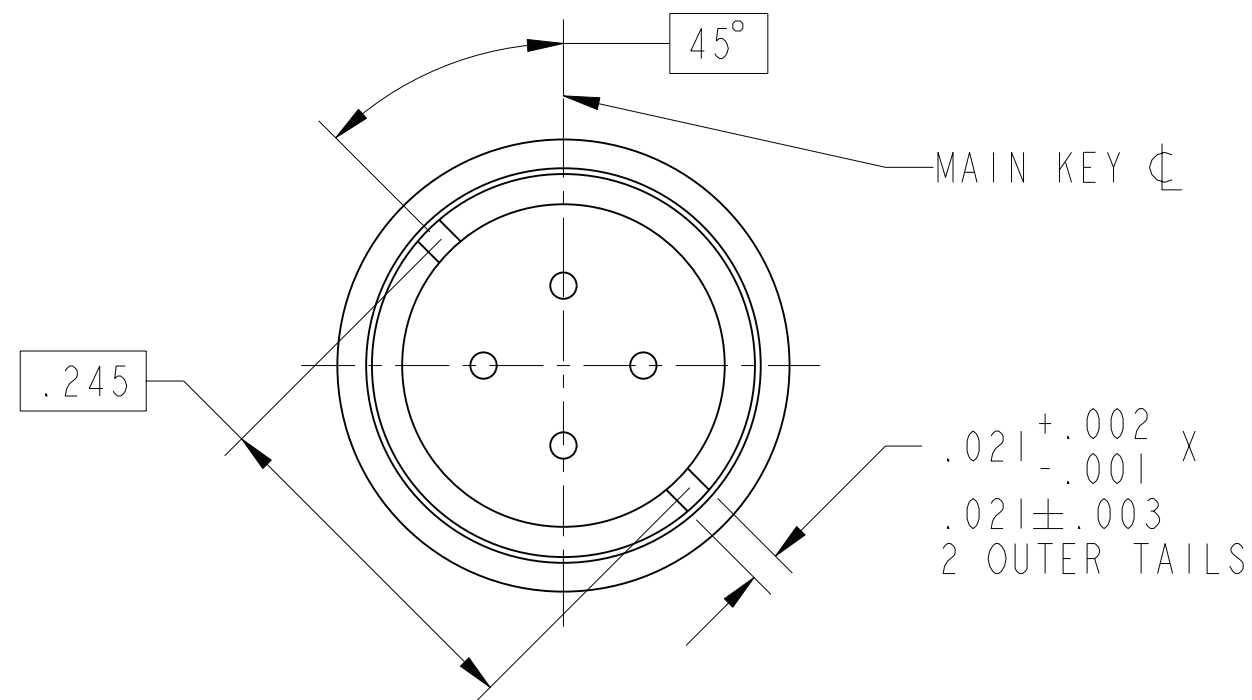
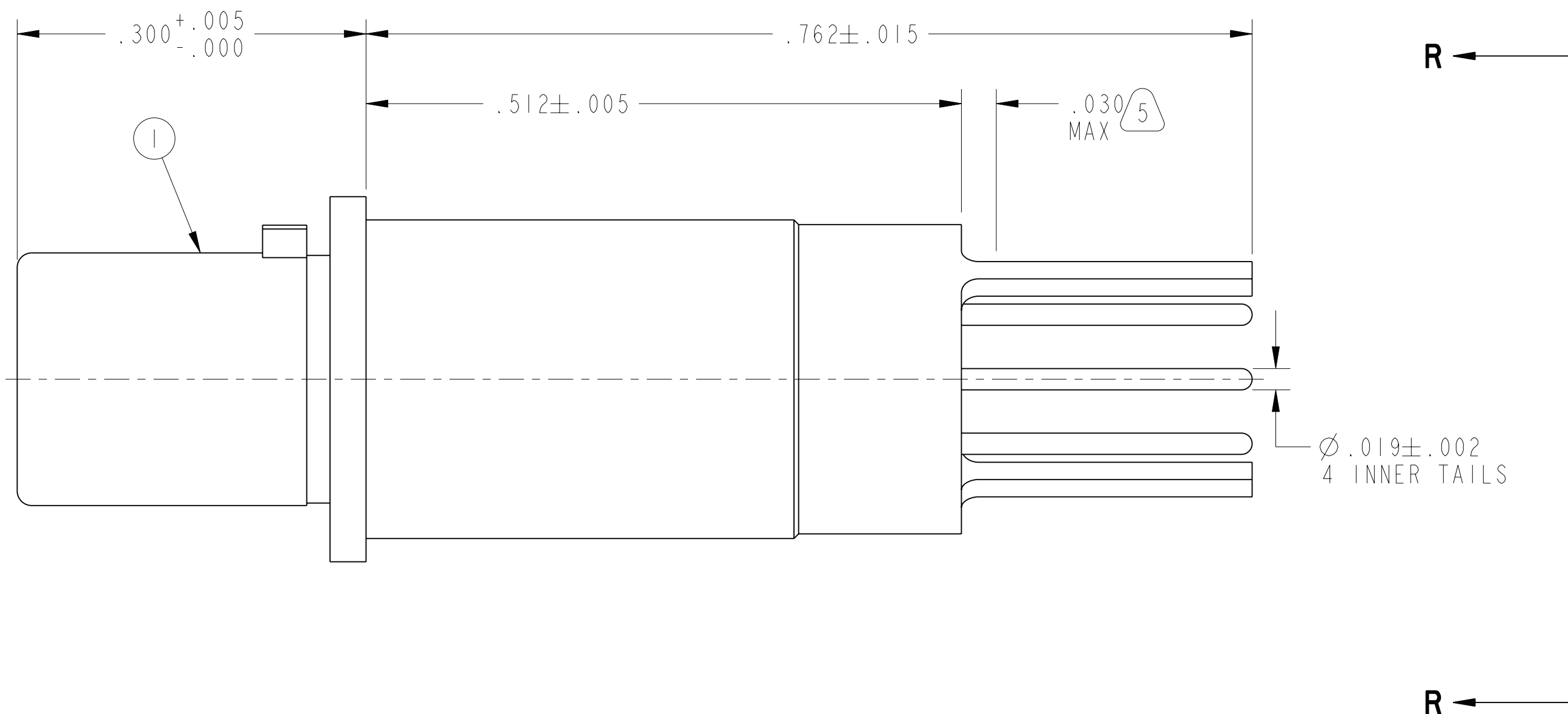
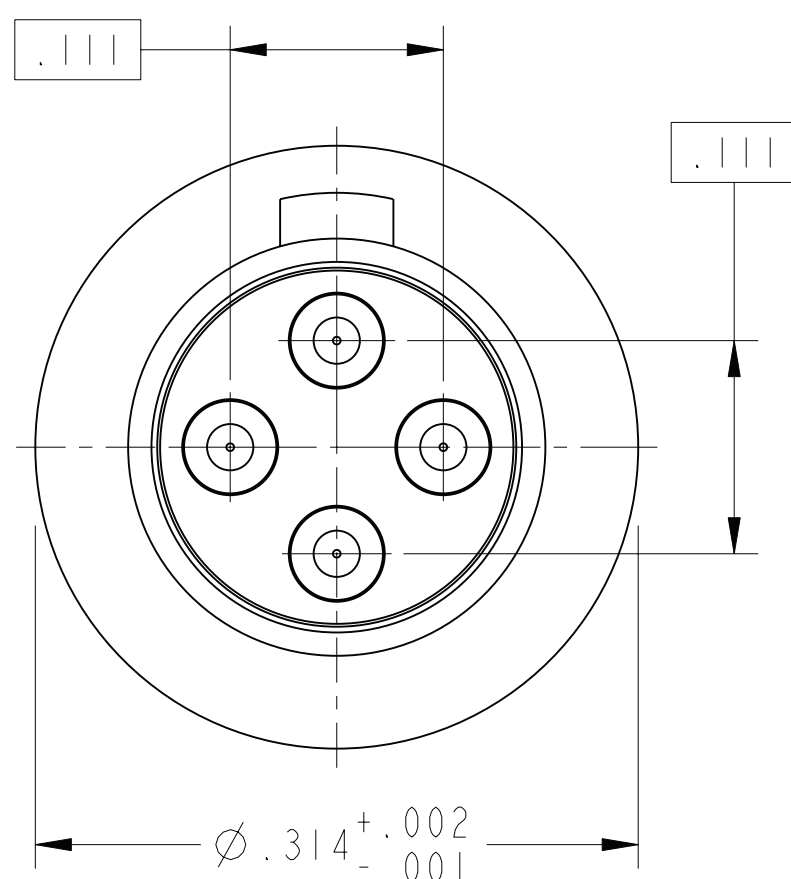


REV. A	SHEET 1 OF 1	DOCUMENT NO. 21-033398-461
REVISIONS		
LTR	DESCRIPTION	DATE
A	INITIAL RELEASE	-



VIEW AT R-R
SCALE 7.500



5. EPOXY MAY BE PRESENT ON CONTACT TAILS IN INDICATED AREA.
4. MATES WITH M38999 QUADRAX SOCKETS 21-033385-051 & OTHERS.
3. MATERIALS:
OUTER & INNER CONTACTS- BERYLLIUM COPPER PER ASTM-B-196
FRONT INSULATOR & SPACER INSULATOR- TFE RESIN PER AMS 3651
2. FINISH:
GOLD PLATED PER MIL-G-45204 TYPE II, GRADE C, CLASS I (.000050 MIN)
OVER NICKEL PLATE PER QQ-N-290 (.000050 MIN).
1. CONTACTS MEET THE ENVELOPE DIMENSIONAL REQUIREMENTS OF M39029/90.

NOTES:

THE USE OF THIS DOCUMENT IS UNLIMITED. HOWEVER, DOCUMENTS REFERENCED HEREON MAY CONTAIN LIMITED RIGHTS DATA.

UNLESS OTHERWISE SPECIFIED		SPECIFICATIONS		PARTS LIST											
LINEAR DIMENSIONS ARE IN INCHES	TOLERANCES:	MATERIAL SPEC.	PROCESS SPEC.	APPROVALS	DATE										
.XXXX = ±.0005	ANGLES = ±2°	N/A	N/A	PREPARED BY D. PHILLIPS	06-Aug-08										
.XXX = ±.010				ENGINEER IN CHARGE L. RATCHFORD											
.XX = ±.03				DESIGN MANAGER H. JOHNSON											
.X = ±.1				DESIGN ACTIVITY GROUP MIL-AERO DEVELOP											
DIM. & TOL. PER ASME Y14.5M; DRM PER MIL-DTL-31000; OTHER Amphenol Stds. PER 9-3800				THIRD ANGLE PROJECTION											
LEGENDS: = FLAG NOTE CALL OUT REFERENCE ONLY				<table border="1"> <tr> <td>POS</td> <td>QTY</td> <td>PART NUMBER</td> <td>DESCRIPTION</td> <td>NOTE</td> </tr> <tr> <td>I</td> <td>I</td> <td>21-033398-461M</td> <td>PIN, QUADRAX, PCB</td> <td></td> </tr> </table>		POS	QTY	PART NUMBER	DESCRIPTION	NOTE	I	I	21-033398-461M	PIN, QUADRAX, PCB	
POS	QTY	PART NUMBER	DESCRIPTION	NOTE											
I	I	21-033398-461M	PIN, QUADRAX, PCB												
				<p>AMPHENOL CORPORATION 40-60 DELAWARE AVENUE SIDNEY, N.Y. 13858</p> <p>CONTACT, PIN, QUADRAX, ELECTRICAL CONNECTOR, TYPE M38999 I & III, PCB</p>											
		SIZE C	CAGE CODE 77820	DOCUMENT NO. 21-033398-461	REV. A										
		SCALE: 10.0	REF. 21-033398-361	SHEET 1 OF 1											

PRO/ENGINEER INFORMATION
Pro/e Model Used:
21-033398-461.ASSEM
Drawing Name:
21-033398-461

10-628485-615X
NEXT ASSEMBLY

RELEASED / Mar . 18 2009, 10:37:32 AM

DOCUMENT NO. 21-033398-461

SHEET 1 OF 1

REV. A

4

3

2

21-033398-461

SHEET 1 OF 1

REV. A

C

B

A

FORMAT: C-U-E-I

4

3

2

1

21-033398-461

SHEET 1 OF 1

REV. A

C

B

A

FORMAT: C-U-E-I

3