

REV. A	SHEET 1 OF 1	DOCUMENT NO. 21-033398-471
REVISIONS M		
LTR	DESCRIPTION	DATE
A	INITIAL RELEASE	- - -

21-033398-471

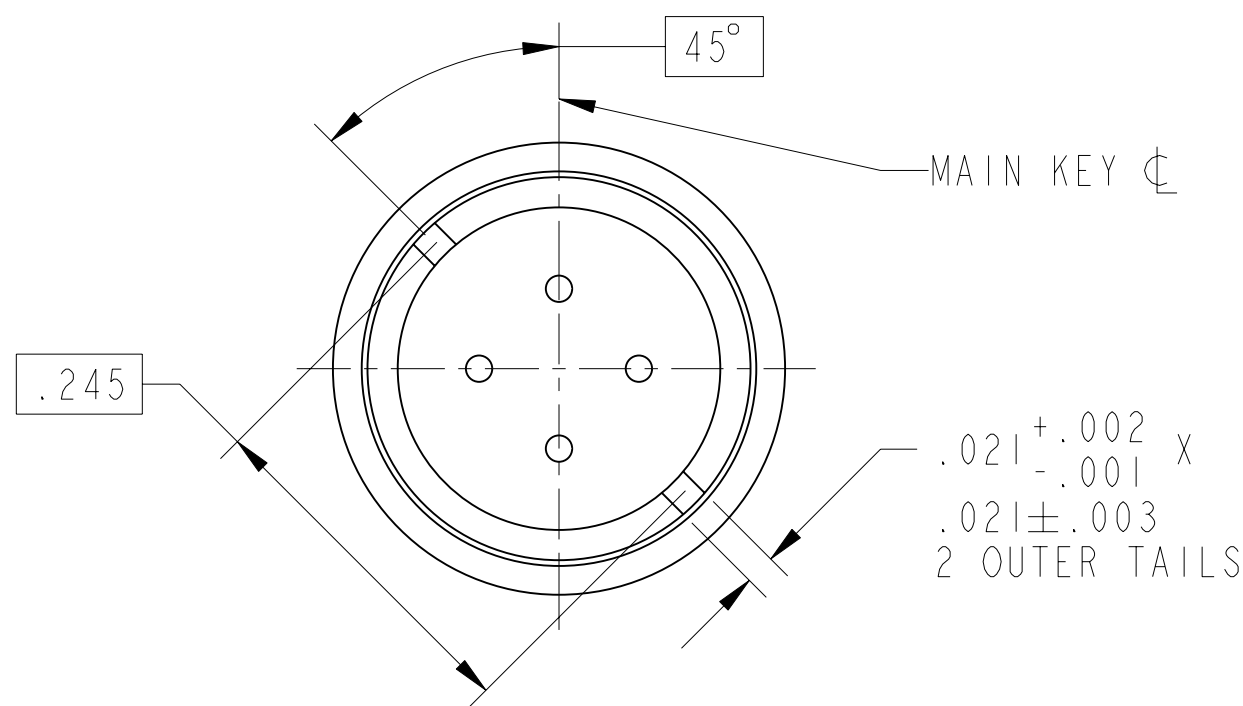
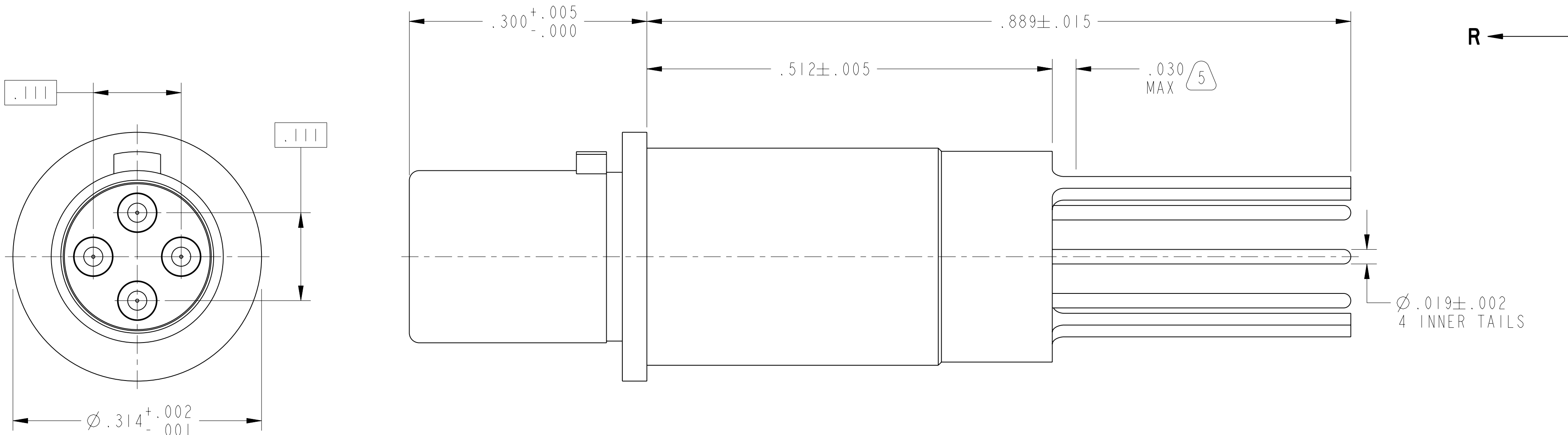
SHEET 1 OF 1

REV. A

C

B

A



VIEW AT R-R  
SCALE 7.500

6. FOR LEAK CHECKED CONTACT ASSEMBLIES, ADD LAST CHARACTER SUFFIX TO PART NUMBER:

DESCRIPTION	SUFFIX
NOT CHECKED	<NONE>
10 <sup>-3</sup> CC/SEC He	
15 PSI	-XXXV
10 PSI	-XXXW
5 PSI	-XXXV

5. EPOXY MAY BE PRESENT ON CONTACT TAILS IN INDICATED AREA.

4. MATES WITH M38999 QUADRAX SOCKETS 21-033385-051 & OTHERS.

3. MATERIALS:  
OUTER & INNER CONTACTS- BERYLLIUM COPPER PER ASTM-B-196  
FRONT INSULATOR & SPACER INSULATOR- PFA PER ASTM D3307 OR PTFE PER ASTM D1710

2. FINISH:  
GOLD PLATED PER MIL-G-45204 TYPE II, GRADE C, CLASS I (.000050 MIN)  
OVER NICKEL PLATE PER QQ-N-290 (.000050 MIN).

1. CONTACTS MEET THE ENVELOPE DIMENSIONAL REQUIREMENTS OF M39029/90.

NOTES:

THE USE OF THIS DOCUMENT IS UNLIMITED. HOWEVER, DOCUMENTS REFERENCED HEREON MAY CONTAIN LIMITED RIGHTS DATA.

RELEASED / Jun . 17 2015, 4:15:39 PM  
DOCUMENT NO. 21-033398-471  
SHEET 1 OF 1  
REV. A

N/A  
NEXT ASSEMBLY

PRO/ENGINEER INFORMATION  
Pro/e Model Used:  
21-033398-471.ASSEM  
Drawing Name:  
21-033398-471

UNLESS OTHERWISE SPECIFIED	SPECIFICATIONS	POS	QTY	PART NUMBER	DESCRIPTION	NOTE
LINEAR DIMENSIONS ARE IN INCHES TOLERANCES: .XXXX = ±.0005 ANGLES= ±2° .XXX = ±.010 .XX = ±.03 .X = ±.1 DIM. & TOL. PER ASME Y14.5M; DRM PER MIL-DTL-31000; OTHER Amphenol Stds. PER 9-3800 LEGENDS: =FLAG NOTE CALL OUT REFERENCE ONLY	MATERIAL SPEC.	APPROVALS		DATE	PARTS LIST	
	N/A	PREPARED BY M. GLYNN			<b>AMPHENOL CORPORATION</b> 40-60 DELAWARE AVENUE SIDNEY, N.Y. 13858 <b>CONTACT, PIN, QUADRAX,            ELECTRICAL CONNECTOR,            TYPE M38999 I &amp; III, PCB</b>	
PROCESS SPEC.	N/A	ENGINEER IN CHARGE D. PHILLIPS		Apr-14-15	SIZE C CAGE CODE 77820 DOCUMENT NO. 21-033398-471 REV. A SCALE: 10.0 REF. 21-033398-361 SHEET 1 OF 1	
		DESIGN MANAGER E. HICKEY				
		DESIGN ACTIVITY GROUP C-1				
		THIRD ANGLE PROJECTION				

D

C

VERSION 2

REVISION A

Eng. PDM Information For Reference Only

REV. A

SHEET 1 OF 1

21-033398-471