

REV. A		SHEET 1 OF 1		DOCUMENT NO. 21-033398-491	
REVISIONS					
LTR	DESCRIPTION			DATE	
A	INITIAL RELEASE				

21-033398-491

SHEET 1 OF 1

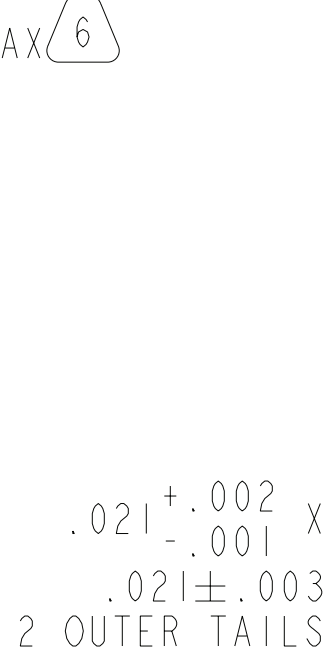
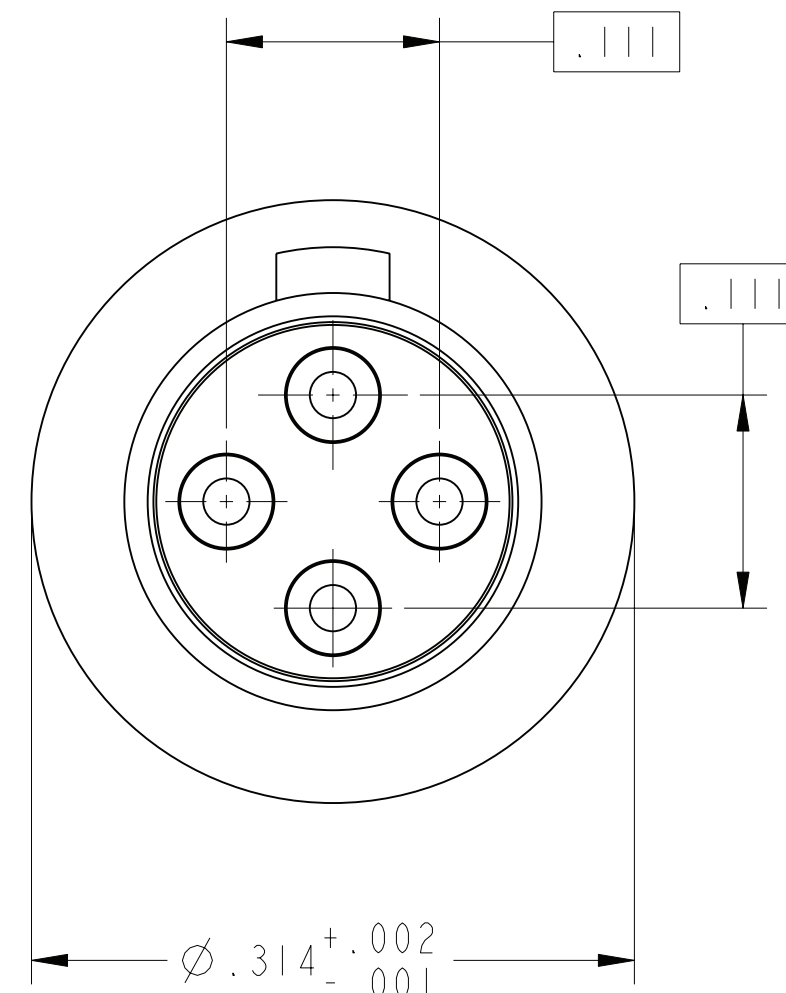
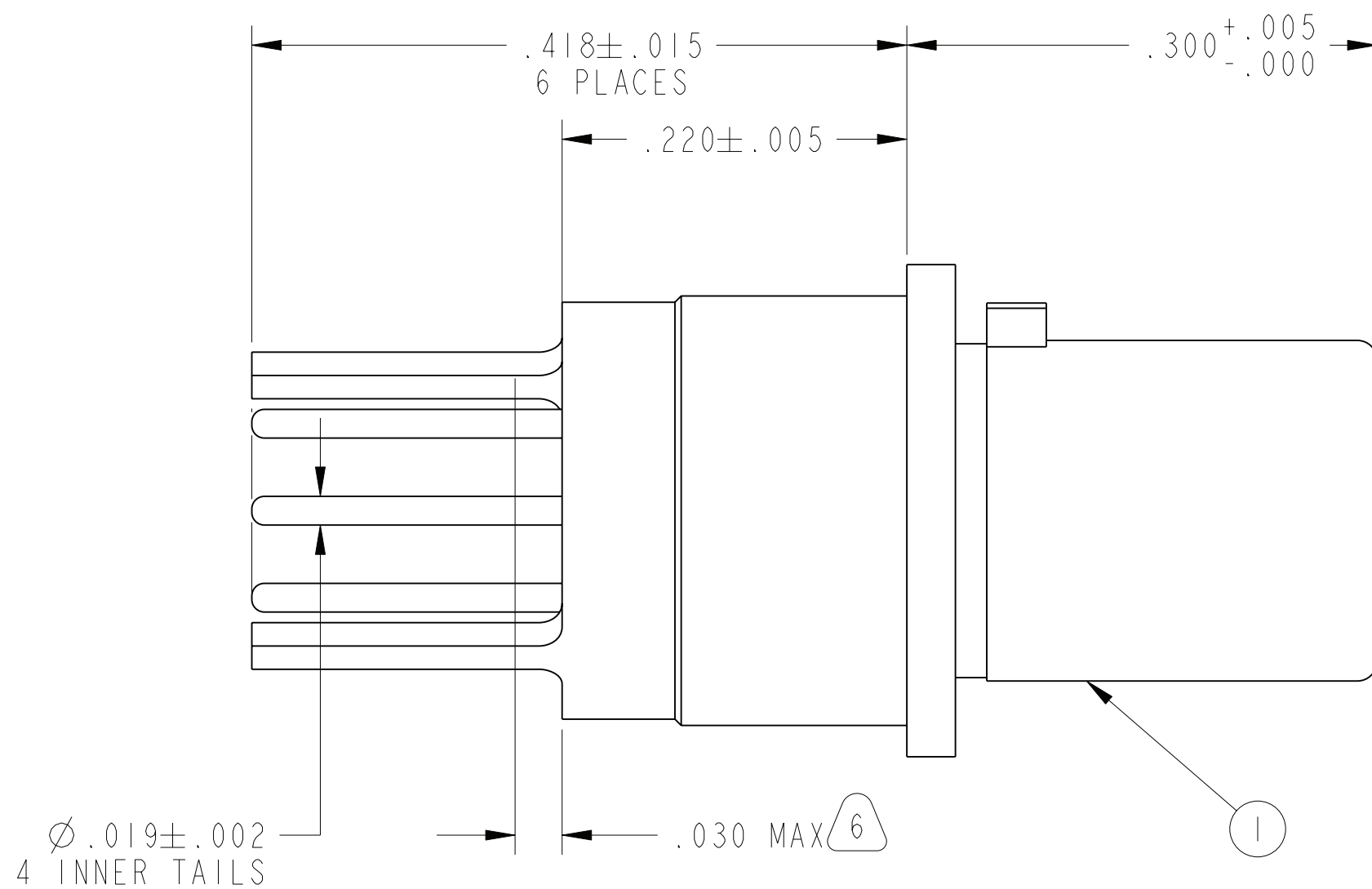
REV. A

C

B

A

R →



ORIENTATION KEY ☐

VIEW AT R

- 6. EPOXY MAY BE PRESENT ON CONTACT TAILS IN INDICATED AREA.
- 5. ALL DIMENSIONS ARE AFTER PLATING.
- 4. MATES WITH M38999 QUADRAX SOCKETS 21-033385-() & OTHERS.
- 3. MATERIALS:
 OUTER & INNER CONTACTS- BERYLLIUM COPPER PER ASTM-B-196
 FRONT INSULATOR & SPACER INSULATOR- TFE RESIN PER AMS 3651
- 2. FINISH:
 GOLD PLATED PER MIL-G-45204 TYPE II, GRADE C, CLASS I (.000050 MIN)
 OVER NICKEL PLATE PER QQ-N-290 (.000050 MIN).
- 1. CONTACTS MEET THE ENVELOPE DIMENSIONAL REQUIREMENTS OF M39029/90.

NOTES:

THE USE OF THIS DOCUMENT IS UNLIMITED. HOWEVER, DOCUMENTS REFERENCED HEREON MAY CONTAIN LIMITED RIGHTS DATA.

RELEASED / Mar . 30 2009, 9:09:25 AM

21-033398-491

SHEET 1 OF 1

REV. A

10-628485-136X

NEXT ASSEMBLY

PRO/ENGINEER INFORMATION

Pro/e Model Used: 21-033398-491.ASSEM
Drawing Name: 21-033398-491

UNLESS OTHERWISE SPECIFIED	SPECIFICATIONS
LINEAR DIMENSIONS ARE IN INCHES TOLERANCES: .XXXX = ±.0005 ANGLES= ±2° .XXX = ±.010 .XX = ±.03 .X = ±.1	MATERIAL SPEC. N/A
DIM. & TOL. PER ASME Y14.5M; DRM PER MIL-DTL-31000; OTHER Amphenol Stds. PER 9-3800	PROCESS SPEC. N/A
LEGENDS: ☐ = FLAG NOTE CALL OUT REFERENCE ONLY	

I	I	21-033398-491M	CONTACT, PIN, QUADRAX, PCB	
POS	QTY	PART NUMBER	DESCRIPTION	NOTE
PARTS LIST				
AMPHENOL CORPORATION 40-60 DELAWARE AVENUE SIDNEY, N.Y. 13858				
CONTACT, PIN, QUADRAX, ELECTRICAL CONNECTOR, TYPE M38999 I & III, PCB				
SIZE	CAGE CODE	DOCUMENT NO.	REV.	
C	77820	21-033398-491	A	
SCALE: 10.0	REF. 21-033398-141	SHEET 1 OF 1		

21-033398-491

SHEET 1 OF 1

REV. A

C

B

A

21-033398-491