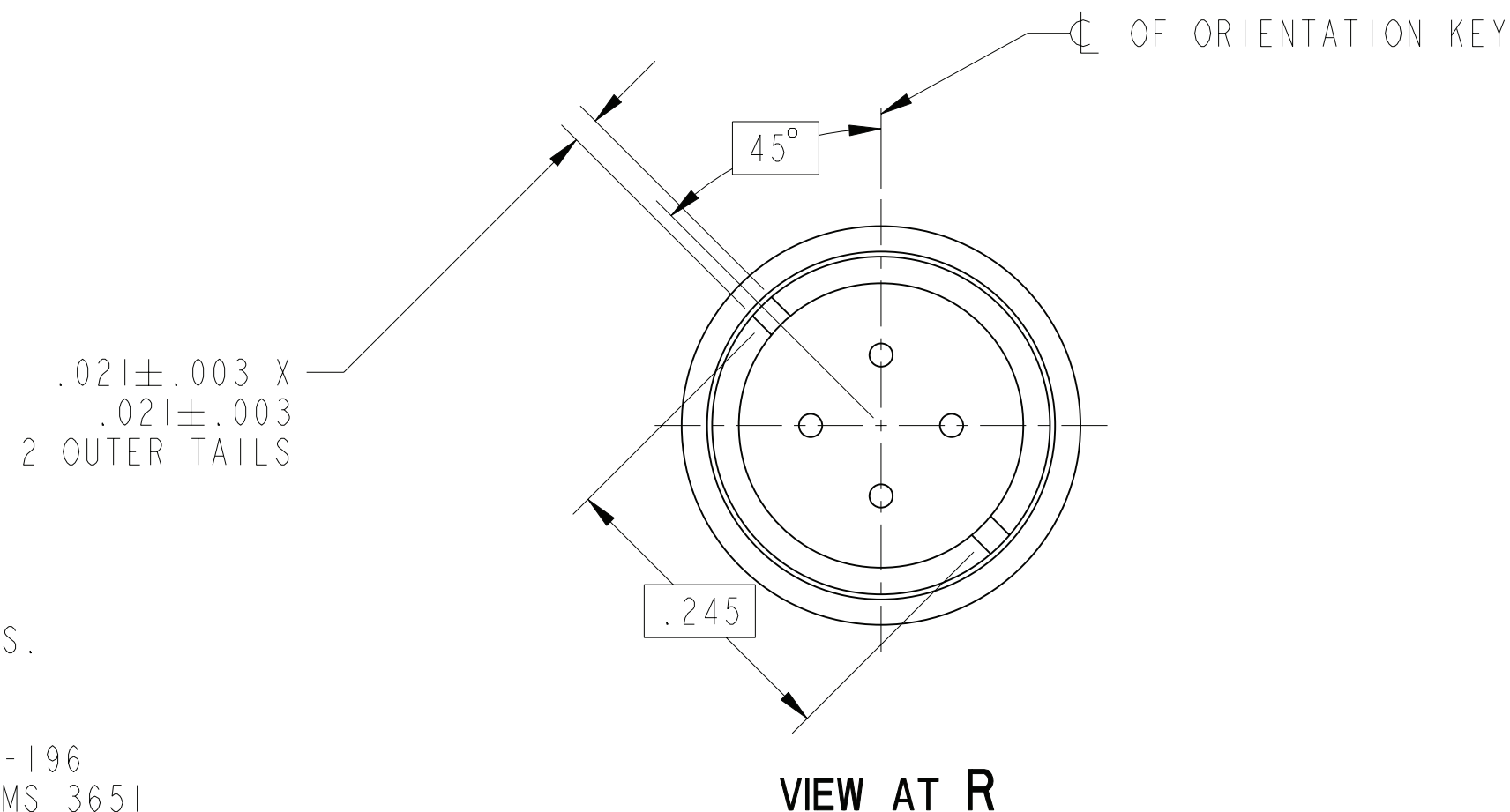
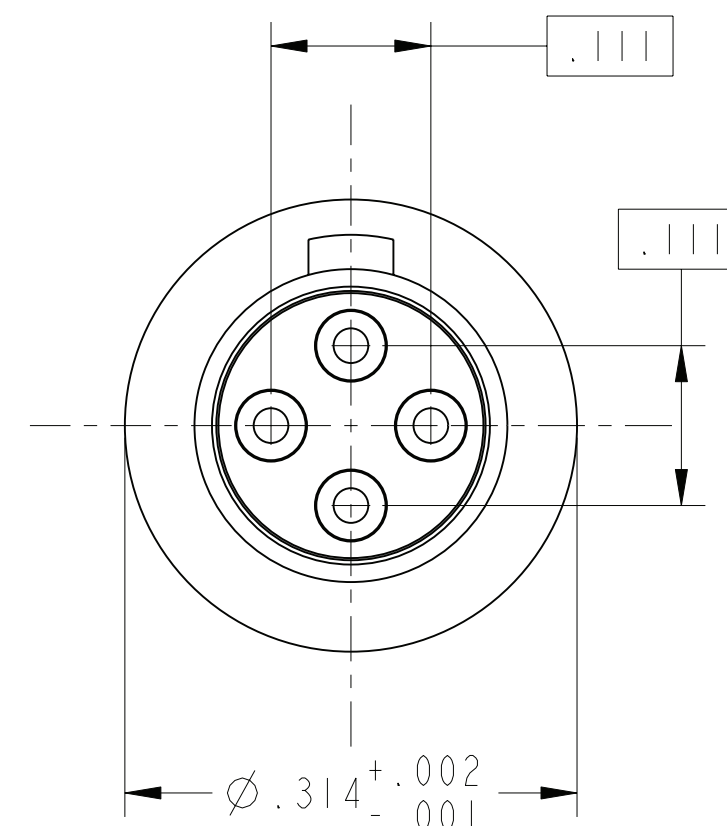
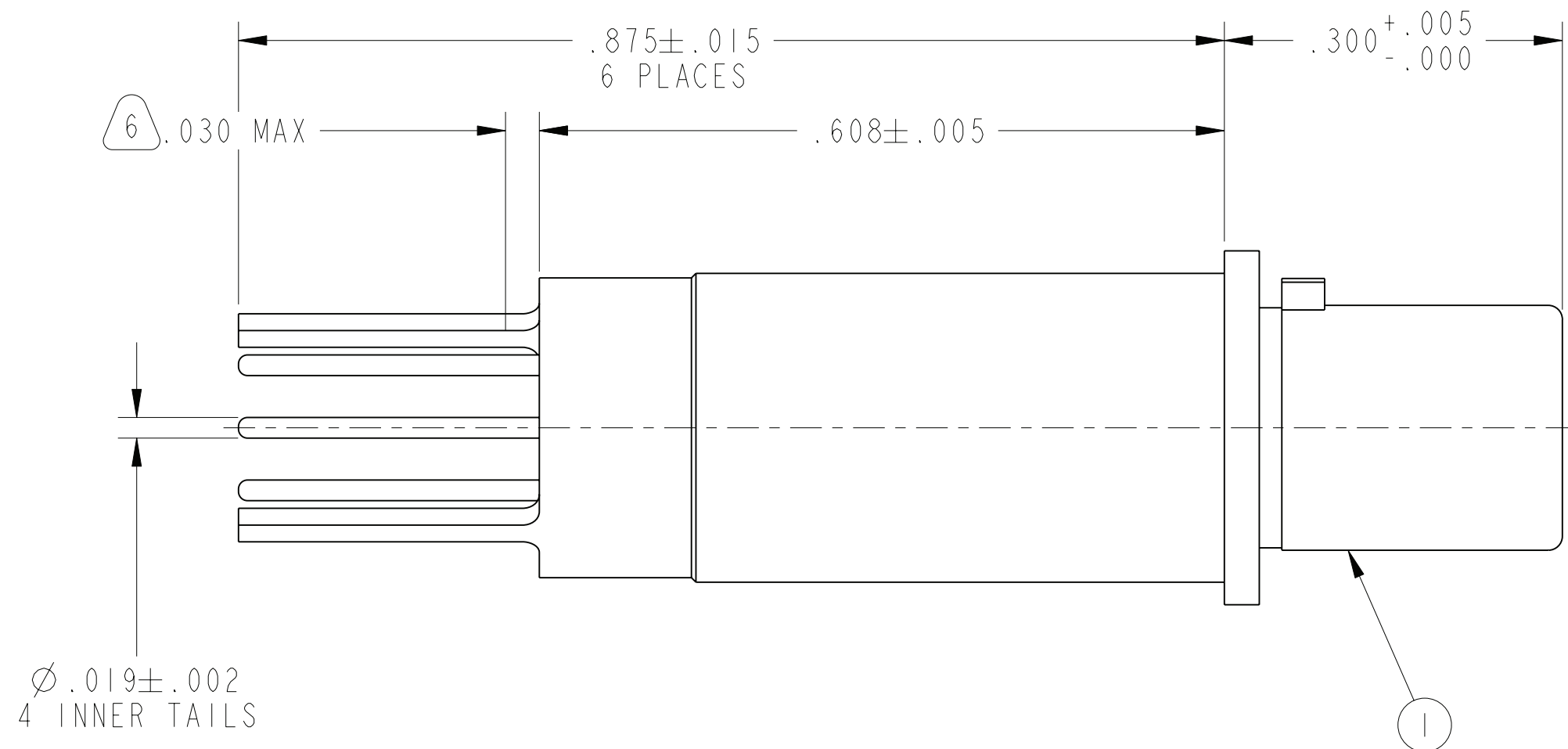


REV. A	SHEET 1 OF 1	DOCUMENT NO. 21-033398-501
REVISIONS		
LTR	DESCRIPTION	DATE
A	INITIAL RELEASE	-



- 6. EPOXY PERMISSIBLE IN INDICATED AREA ON TAILS.
- 5. ALL DIMENSIONS ARE AFTER PLATING.
- 4. MATES WITH M38999 QUADRAX SOCKETS 21-033385-( ) & OTHERS.
- 3. MATERIALS:  
 OUTER & INNER CONTACTS- BERYLLIUM COPPER PER ASTM-B-196  
 FRONT INSULATOR & SPACER INSULATOR- TFE RESIN PER AMS 3651
- 2. FINISH:  
 GOLD PLATED PER MIL-G-45204 TYPE II, GRADE C, CLASS I (.000050 MIN)  
 OVER NICKEL PLATE PER QQ-N-290 (.000050 MIN).
- 1. CONTACTS MEET THE ENVELOPE DIMENSIONAL REQUIREMENTS OF M39029/90.

NOTES:

THE USE OF THIS DOCUMENT IS UNLIMITED. HOWEVER, DOCUMENTS REFERENCED HEREON MAY CONTAIN LIMITED RIGHTS DATA.

10-628485-668X  
NEXT ASSEMBLY

PRO/ENGINEER INFORMATION  
Pro/e Model Used:  
21-033398-501.ASSEM  
Drawing Name:  
21-033398-501

UNLESS OTHERWISE SPECIFIED

LINEAR DIMENSIONS ARE IN INCHES  
TOLERANCES:  
 .XXXX = ±.0005 ANGLES= ±2°  
 .XXX = ±.010  
 .XX = ±.03  
 .X = ±.1

DIM. & TOL. PER ASME Y14.5M;  
 DRM PER MIL-DTL-31000;  
 OTHER Amphenol Stds. PER 9-3800

LEGENDS:  
 =FLAG NOTE CALL OUT REFERENCE ONLY

SPECIFICATIONS

MATERIAL SPEC.  
N/A

PROCESS SPEC.  
N/A

I	I	21-033398-501M	CONTACT, PIN, QUADRAX, PCB	NOTE
POS	QTY	PART NUMBER	DESCRIPTION	
PARTS LIST				
<b>AMPHENOL CORPORATION</b> 40-60 DELAWARE AVENUE SIDNEY, N.Y. 13858				
<b>CONTACT, PIN, QUADRAX, ELECTRICAL CONNECTOR, TYPE M38999 I &amp; III, PCB</b>				
APPROVALS	DATE			
PREPARED BY D. PHILLIPS	17-Feb-09			
ENGINEER IN CHARGE L. RATCHFORD				
DESIGN MANAGER H. JOHNSON				
DESIGN ACTIVITY GROUP MIL-AERO DEVELOP				
THIRD ANGLE PROJECTION				
SIZE <b>C</b>	CAGE CODE <b>77820</b>	DOCUMENT NO. <b>21-033398-501</b>	REV. <b>A</b>	
SCALE: 7.5	REF. 21-033398-311	SHEET 1 OF 1		