

REV. A	SHEET 1 OF 1	DOCUMENT NO. 21-033398-591
REVISIONS		
LTR	DESCRIPTION	DATE
A	INITIAL RELEASE	---

21-033398-591

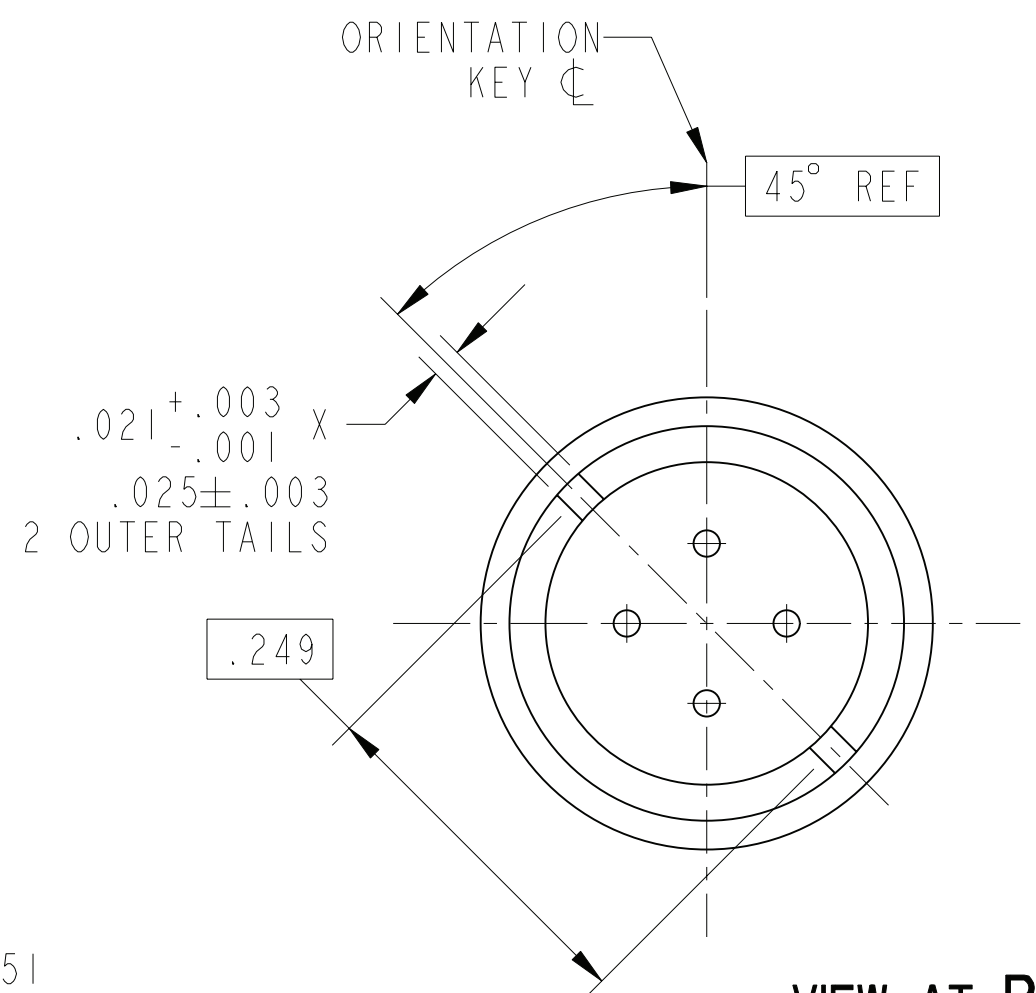
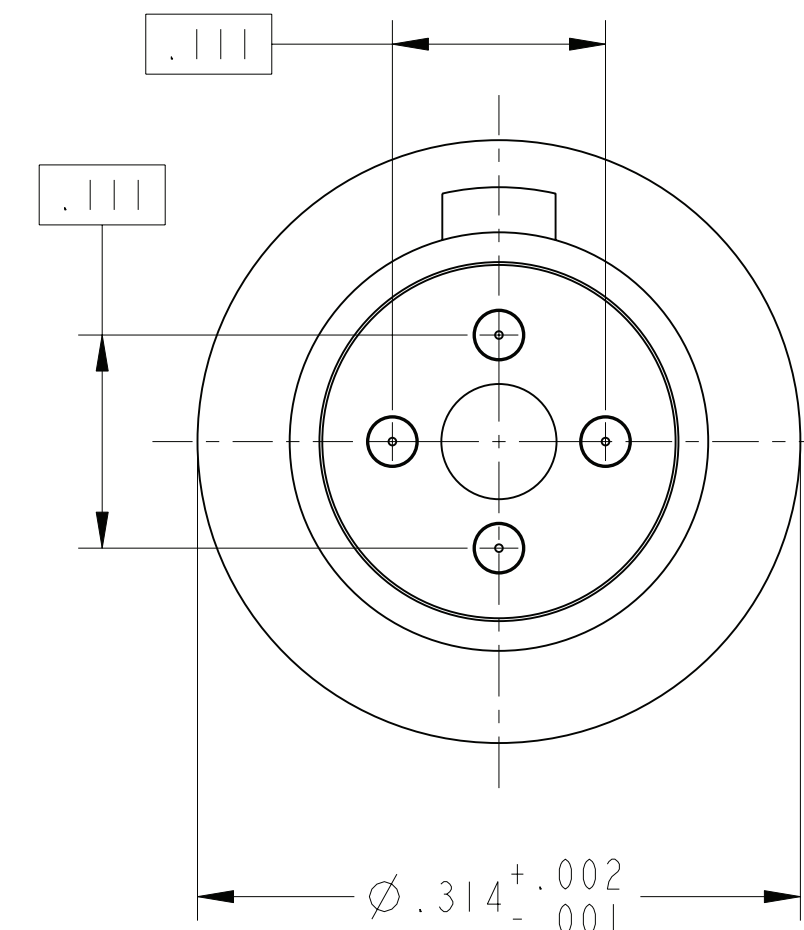
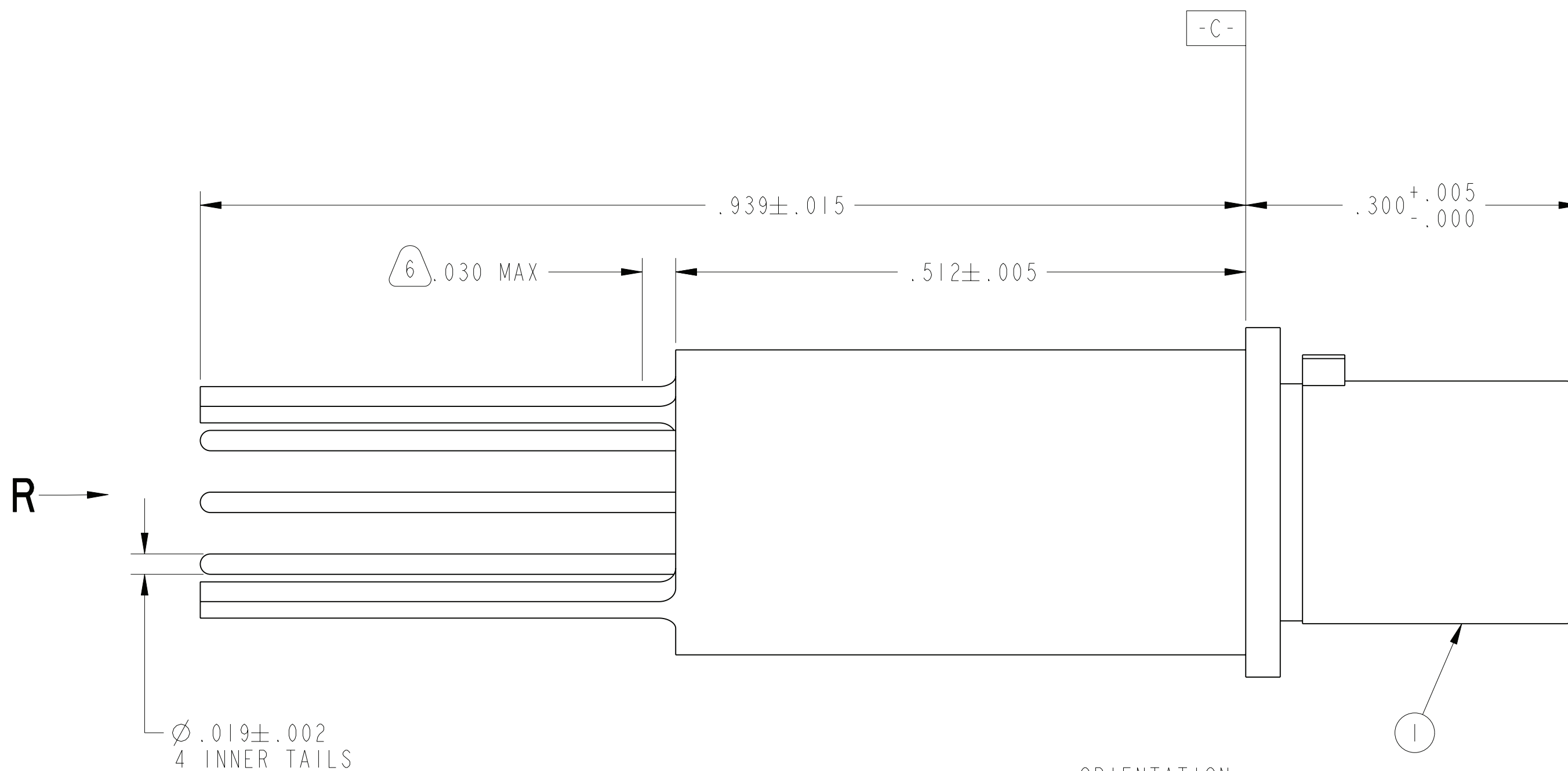
SHEET 1 OF 1

REV. A

C

B

A



VIEW AT R
SCALE 7.500

- 6. EPOXY MAY BE PRESENT ON CONTACT TAILS IN INDICATED AREA.
- 5. ALL DIMENSIONS ARE AFTER PLATING.
- 4. MATES WITH M38999 QUADRAX SOCKETS 21-033385-().
- 3. MATERIALS:
OUTER & INNER CONTACTS- BERYLLIUM COPPER PER ASTM-B-196
FRONT INSULATOR & SPACER INSULATOR- TFE RESIN PER ASTM 3651
- 2. FINISH:
GOLD PLATED PER MIL-G-45204 TYPE II, GRADE C, CLASS I (.000050 MIN)
OVER NICKEL PLATE PER QQ-N-290 (.000050 MIN).
- 1. CONTACTS MEET THE ENVELOPE DIMENSIONAL REQUIREMENTS OF M39029/90.

NOTES:

THE USE OF THIS DOCUMENT IS UNLIMITED. HOWEVER, DOCUMENTS REFERENCED HEREON MAY CONTAIN LIMITED RIGHTS DATA.

RELEASED / Sep. 16 2011, 8:40:33 AM

21-033398-591

SHEET 1 OF 1

REV. A

N/A

NEXT ASSEMBLY

PRO/ENGINEER INFORMATION

Pro/e Model Used:
21-033398-591.ASSEM
Drawing Name:
21-033398-591

UNLESS OTHERWISE SPECIFIED

LINEAR DIMENSIONS ARE IN INCHES
TOLERANCES:
.XXXX = ±.0005 ANGLES= ±2°
.XXX = ±.010
.XX = ±.03
.X = ±.1

DIM. & TOL. PER ASME Y14.5M;
DRM PER MIL-DTL-31000;
OTHER Amphenol Stds. PER 9-3800
LEGENDS:
=FLAG NOTE CALL OUT REFERENCE ONLY

SPECIFICATIONS

MATERIAL SPEC.
N/A

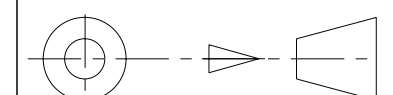
PROCESS SPEC.

N/A

POS	QTY	PART NUMBER	DESCRIPTION	NOTE
1	1	21-033398-591M	CONTACT, PIN, QUADRAX, PCB	

APPROVALS		DATE
PREPARED BY	D. PHILLIPS	16-Aug-11
ENGINEER IN CHARGE	RATCHFORD	
DESIGN MANAGER	E. HICKEY	
DESIGN ACTIVITY GROUP	C-1	

THIRD ANGLE PROJECTION



AMPHENOL CORPORATION
40-60 DELAWARE AVENUE
SIDNEY, N.Y. 13858

**CONTACT, PIN, QUADRAX,
ELECTRICAL CONNECTOR.
M38999 I & III, PCB**

SIZE C	CAGE CODE 77820	DOCUMENT NO. 21-033398-591	REV. A
SCALE: 10.0		REF. 21-33398-61	SHEET 1 OF 1

RELEASE STATE

Released

REV. A

SHEET 1 OF 1

21-033398-591