

REV. A	SHEET 1 OF 1	DOCUMENT NO. 21-033398-601
REVISIONS		
LTR	DESCRIPTION	DATE
A	INITIAL RELEASE	---

21-033398-601

SHEET 1 OF 1

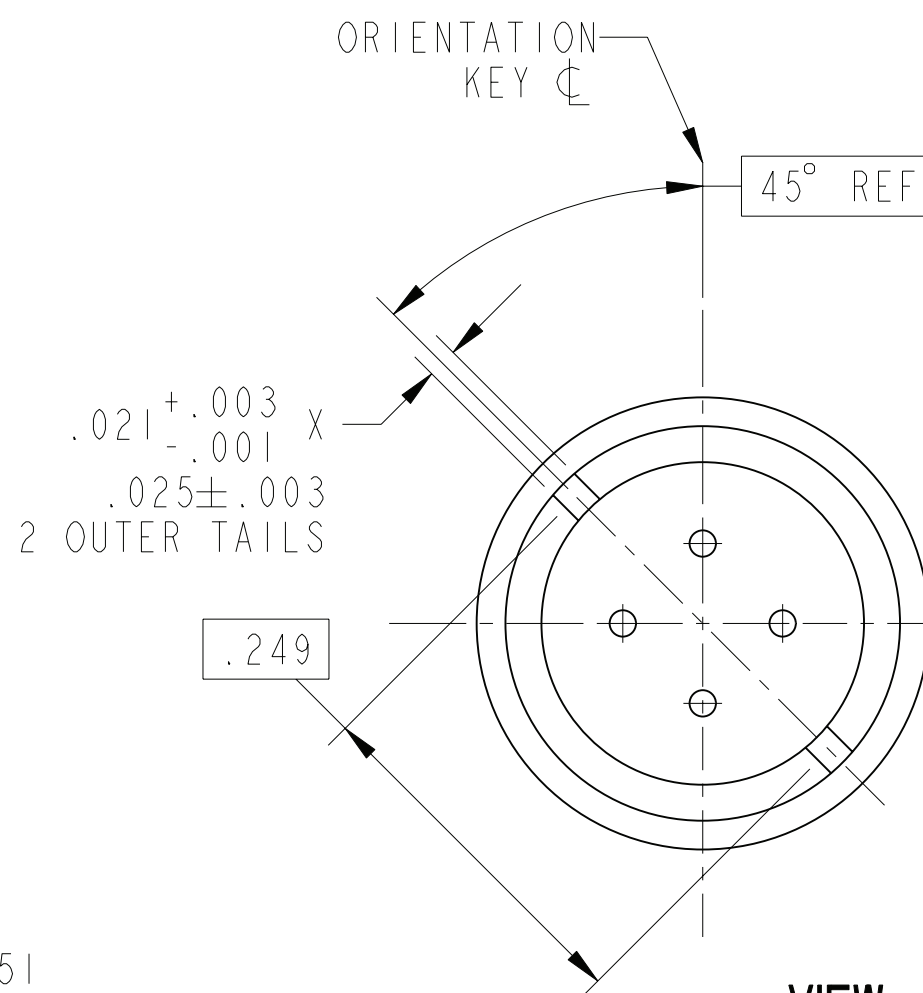
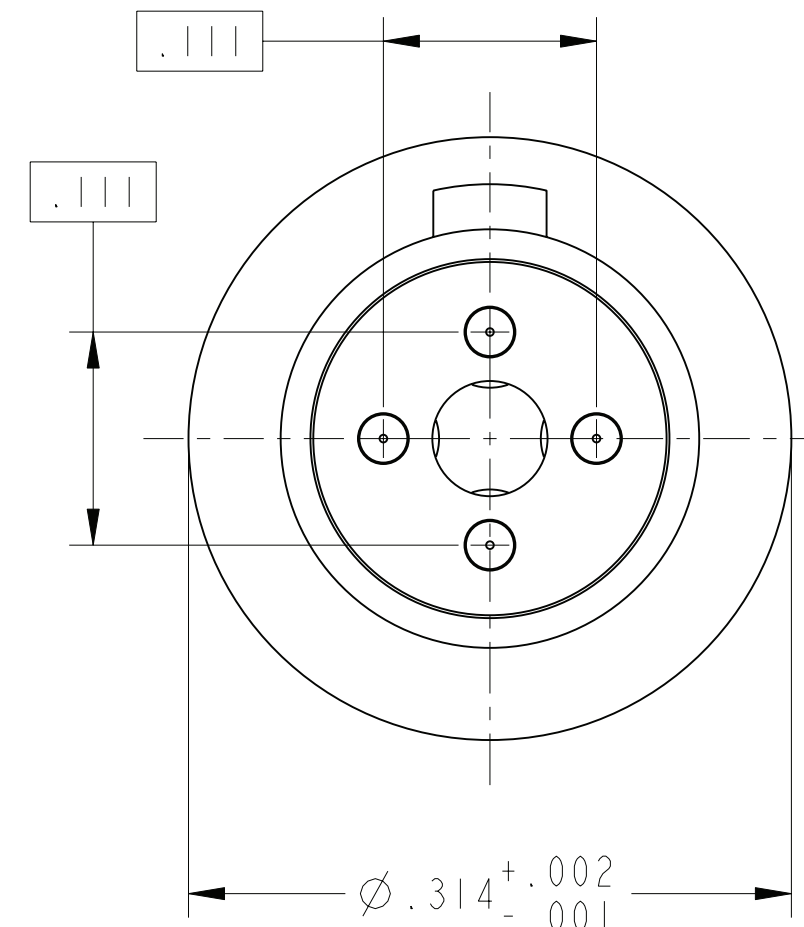
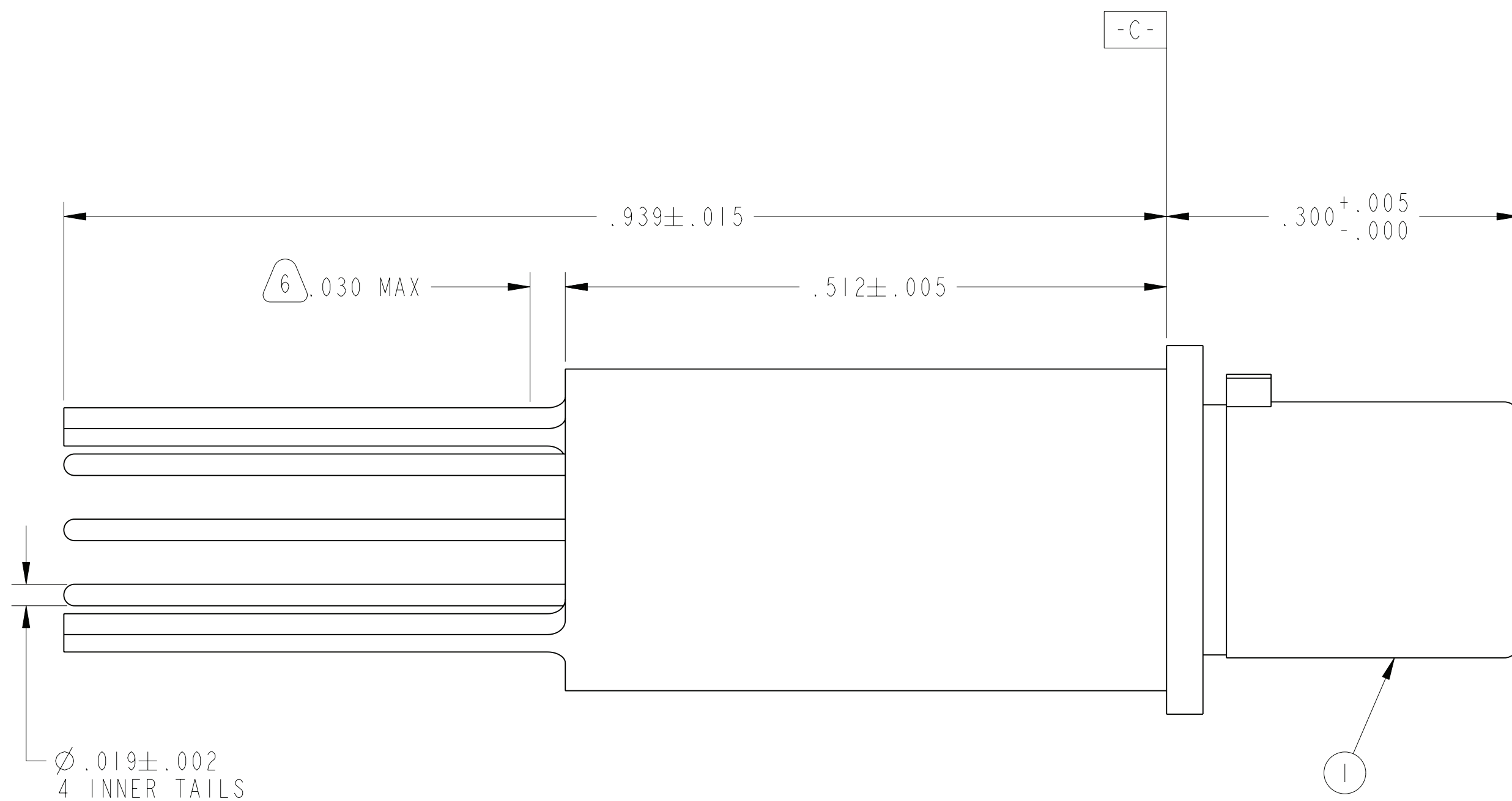
REV. A

C

B

A

R →



VIEW AT R
SCALE 7.500

- 6. EPOXY MAY BE PRESENT ON CONTACT TAILS IN INDICATED AREA.
- 5. ALL DIMENSIONS ARE AFTER PLATING.
- 4. MATES WITH M38999 QUADRAX SOCKETS 21-033385-().
- 3. MATERIALS:
OUTER & INNER CONTACTS- BERYLLIUM COPPER PER ASTM-B-196
FRONT INSULATOR & SPACER INSULATOR- TFE RESIN PER ASTM 3651
- 2. FINISH:
GOLD PLATED PER MIL-G-45204 TYPE II, GRADE C, CLASS I (.000050 MIN)
OVER NICKEL PLATE PER QQ-N-290 (.000050 MIN).
- 1. CONTACTS MEET THE ENVELOPE DIMENSIONAL REQUIREMENTS OF M39029/90.

NOTES:

THE USE OF THIS DOCUMENT IS UNLIMITED. HOWEVER, DOCUMENTS REFERENCED HEREON MAY CONTAIN LIMITED RIGHTS DATA.

RELEASED / Sep. 19 2011, 1:26:31 PM

DOCUMENT NO. 21-033398-601

SHEET 1 OF 1

REV. A

N/A

NEXT ASSEMBLY

PRO/ENGINEER INFORMATION

Pro/e Model Used:
21-033398-601.ASSEM
Drawing Name:
21-033398-601

UNLESS OTHERWISE SPECIFIED

LINEAR DIMENSIONS ARE IN INCHES
TOLERANCES:
.XXXX = ±.0005 ANGLES= ±2°
.XXX = ±.010
.XX = ±.03
.X = ±.1

DIM. & TOL. PER ASME Y14.5M;
DRM PER MIL-DTL-31000;
OTHER Amphenol Stds. PER 9-3800

LEGENDS:
= FLAG NOTE CALL OUT
REFERENCE ONLY

SPECIFICATIONS

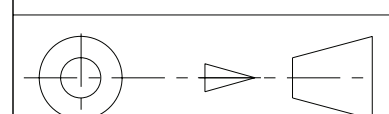
MATERIAL SPEC.
N/A

PROCESS SPEC.
N/A

POS	QTY	PART NUMBER	DESCRIPTION	NOTE
I	I	21-033398-601M	CONTACT, PIN, QUADRAX, PCB	

APPROVALS		DATE
PREPARED BY	J. BORDEAU	31-Aug-11
ENGINEER IN CHARGE	D. PHILLIPS	
DESIGN MANAGER	E. HICKEY	
DESIGN ACTIVITY GROUP	CI	

THIRD ANGLE PROJECTION



PARTS LIST			
AMPHENOL CORPORATION 40-60 DELAWARE AVENUE SIDNEY, N.Y. 13858			
CONTACT, PIN, QUADRAX, ELECTRICAL CONNECTOR. M38999 I & III, PCB			
SIZE C	CAGE CODE 77820	DOCUMENT NO. 21-033398-601	REV. A
SCALE: 10.0		REF. 21-033398-591	SHEET 1 OF 1

RELEASE STATE

Released

REV. A

SHEET 1 OF 1

DOCUMENT NO. 21-033398-601