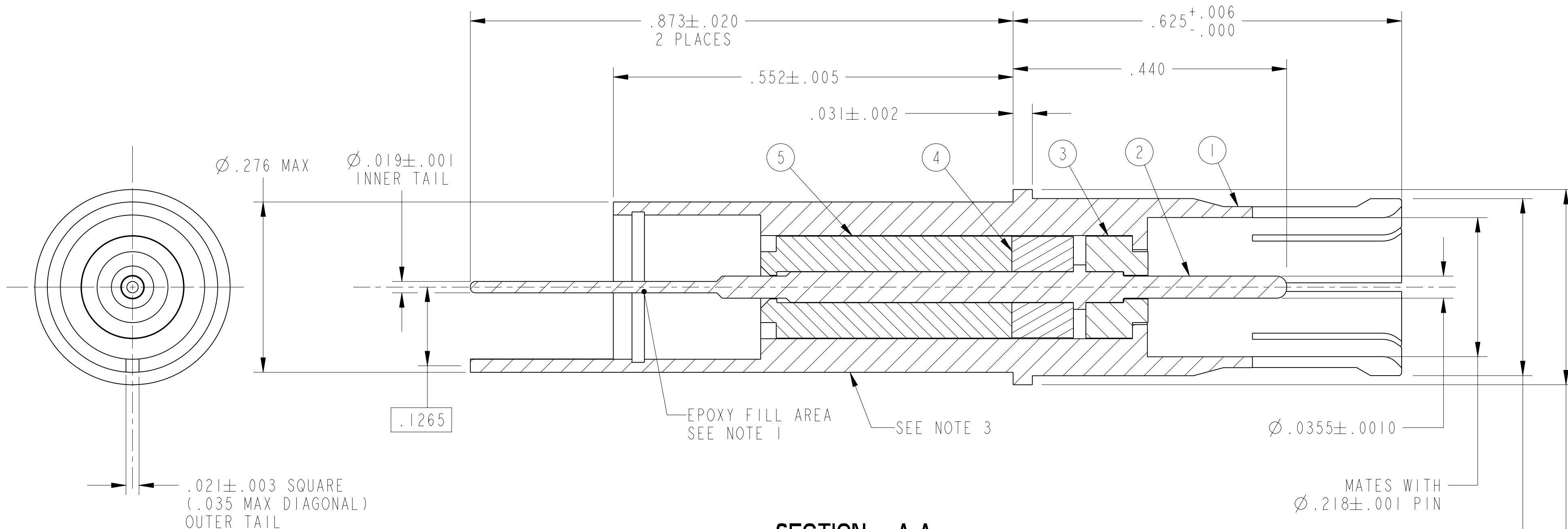


REV. D		SHEET 1 OF 1		DOCUMENT NO. 21-33426-1	
REVISIONS					
LTR	DESCRIPTION	DATE			
A	INITIAL RELEASE				
B	(CL11) CHANGED .782 TO .873 ECN: 94001	JHEATH 2/17/04			
C	(CL11) FIX SECTION A-A ECN: 96000	V. JONES 1-4-05			
D	(CL11) CHANGE DRAFTING ERROR ECN: A1770	DJSMITH 11-27-06			



SECTION A-A

- 4. PROCESS SPEC:  
9-6700, 9-7530, 9-3856-5, 9-4954-5
- 3. BLACK INK STAMP TRADEMARK 9-6700 TYPE IV PER 9-7530 OR 9-3856-5 IN INDICATED AREA. TRADEMARK MAY BE SOLID OR FRAME. DIRECTION OPTIONAL.
- 2. DRAWING ILLUSTRATES FINAL ASSEMBLY. PACKAGE PER PRODUCTION PROCESS SHEET.
- 1. EPOXY FILL INDICATED AREA WITH EPOXY 9-4954-5 TO HOLD INNER COMPONENTS IN PLACE. NO EPOXY PERMITTED ABOVE REAR SURFACE OF OUTER CONTACT BODY. CURE EPOXY AT 250° FOR 3 HOURS.

**NOTES:**

THE USE OF THIS DOCUMENT IS UNLIMITED. HOWEVER, DOCUMENTS REFERENCED HEREON MAY CONTAIN LIMITED RIGHTS DATA.

PRO/ENGINEER INFORMATION  
 Pro/e Model Used:  
 21-033426-001.ASSEM  
 Drawing Name:  
 21-033426-001

N/A  
 NEXT ASSEMBLY

DOCUMENT NO. 21-33426-1  
 SHEET 1 OF 1  
 REV. D

UNLESS OTHERWISE SPECIFIED	SPECIFICATIONS
LINEAR DIMENSIONS ARE IN INCHES TOLERANCES: .XXXX = ±.0005 ANGLES= ±2° .XXX = ±.010 .XX = ±.03 .X = ±.1	MATERIAL SPEC. N/A
DIM. & TOL. PER ASME Y14.5M; DRM PER MIL-DTL-31000; OTHER Amphenol Stds. PER 9-3800	PROCESS SPEC. SEE NOTE 4
LEGENDS: = FLAG NOTE CALL OUT REFERENCE ONLY	

POS	QTY	PART NUMBER	DESCRIPTION	NOTE
5	1	21-1305-33	REAR INSULATOR	
4	1	21-1312-1	CENTER INSULATOR	
3	1	21-1305-35	FRONT INSULATOR	
2	1	21-33426-3	INNER CONTACT	
1	1	21-33426-2	OUTER CONTACT	

APPROVALS

PREPARED BY: RATCHFORD  
 ENGINEER IN CHARGE: RATCHFORD  
 DESIGN MANAGER: A. DAVIS  
 DESIGN ACTIVITY GROUP: MIL-AERO

DATE: 27-Nov-06

THIRD ANGLE PROJECTION

AMPHENOL CORPORATION  
 40-60 DELAWARE AVENUE  
 SIDNEY, N.Y. 13858

CONTACT ASSEMBLY, SOCKET, PCB,  
 ELECTRICAL CONNECTOR,  
 TYPE M38999 I & III COAX

SIZE C CAGE CODE 77820 DOCUMENT NO. 21-33426-1 REV. D

SCALE: 8.0 REF 21-33840-1 SHEET 1 OF 1

21-33426-1

SHEET 1 OF 1

REV. D

C

B

A

FORMAT: C-U-E-1

D

C

0

D

MIP

REV. D

SHEET 1 OF 1

21-33426-1