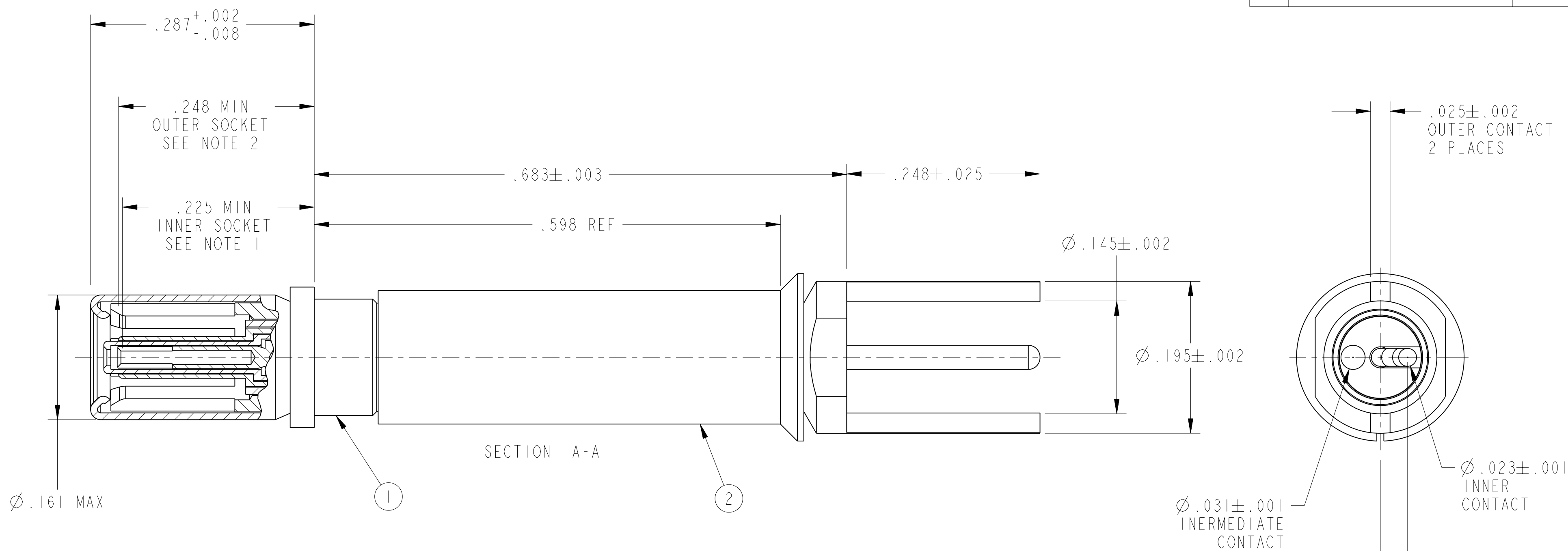


REV. A		SHEET 1 OF 1		21-33433-1	
REVISIONS					
LTR	DESCRIPTION			DATE	
A	INITIAL RELEASE				

DOCUMENT NO. 21-33433-1  
 SHEET 1 OF 1  
 REV. A



7. CLEANING OF PARTS IN CHLORINATED SOLVENTS IS NOT PERMISSIBLE.
6. MATES WITH SIZE 12 TRIAXIAL & TWINAXIAL PIN CONTACTS 21-33909-( ) (JN1104P75T INTERFACE TYPES).
5. MATERIALS & FINISHES:  
 CONTACTS: COPPER ALLOYS PER MIL-C-39029  
 GOLD PLATED PER MIL-C-45204  
 INSULATORS: ULTEM OR TEFLON
4. CONTACTS ARE DESIGNED FOR MIL-C-38999 SERIES II CONNECTORS.
3. HANDLE CONTACT ASSEMBLY CAREFULLY TO PREVENT DISTORTION OF PCB TAILS.
2. INDICATED DIMENSION IS FROM THE REAR OF THE OUTER SOCKET SHOULDER TO THE POINT AT WHICH A  $\varnothing .0940 \pm .0002$  SQUARE ENDED PIN ENGAGES THE OUTER SOCKET SPRING.
1. INDICATED DIMENSION IS FROM THE REAR OF THE OUTER SOCKET SHOULDER TO THE POINT AT WHICH A  $\varnothing .0150 \pm .0002$  SQUARE ENDED PIN ENGAGES THE INNER SOCKET SPRING.

**NOTES:**

THE USE OF THIS DOCUMENT IS UNLIMITED. HOWEVER, DOCUMENTS REFERENCED HEREON MAY CONTAIN LIMITED RIGHTS DATA.

RELEASED / Jan . 11 2005, 09:07 AM

N/A	PRO/ENGINEER INFORMATION
N/A	Pro/e Model Used: 21-33433-1.ASY.PCB.ASSEM
N/A	Drawing Name: 21-33433-1.ASY.PCB
N/A	NEXT ASSEMBLY

UNLESS OTHERWISE SPECIFIED

SPECIFICATIONS

MATERIAL SPEC.  
N/A

PROCESS SPEC.  
N/A

LINEAR DIMENSIONS ARE IN INCHES  
 TOLERANCES:  
 .XXXX =  $\pm .0005$  ANGLES =  $\pm 2^\circ$   
 .XXX =  $\pm .010$   
 .XX =  $\pm .03$   
 .X =  $\pm .1$

DIM. & TOL. PER ASME Y14.5M;  
 DRM PER MIL-DTL-31000;  
 OTHER Amphenol Sds. PER 9-3800

LEGENDS:  
 = FLAG NOTE CALL OUT  
 REFERENCE ONLY

POS	QTY	PART NUMBER	DESCRIPTION	NOTE
2	1	21-33432-112	EXTRACTION TOOL	
1	1	21-33433-1M	SOCKET CONTACT ASSEMBLY	

APPROVALS		DATE
PREPARED BY RATCHFORD		06-Dec-04
ENGINEER IN CHARGE RATCHFORD		
DESIGN MANAGER A. DAVIS		
DESIGN ACTIVITY GROUP MIL-AERO		
THIRD ANGLE PROJECTION		

PARTS LIST			
<b>AMPHENOL CORPORATION</b> 40-60 DELAWARE AVENUE SIDNEY, N.Y. 13838			
<b>CONTACT, SOCKET, PCB, ELECTRICAL CONNECTOR, TYPE JT-R, SIZE 12 TRIAX</b>			
SIZE <b>C</b>	CAGE CODE <b>77820</b>	DOCUMENT NO. <b>21-33433-1</b>	REV. <b>A</b>
SCALE: 10.0 REF:		21-33393-6	SHEET 1 OF 1

FORMAT: C-U-L-R-V-B

DOCUMENT NO. 21-33433-1  
 SHEET 1 OF 1  
 REV. A