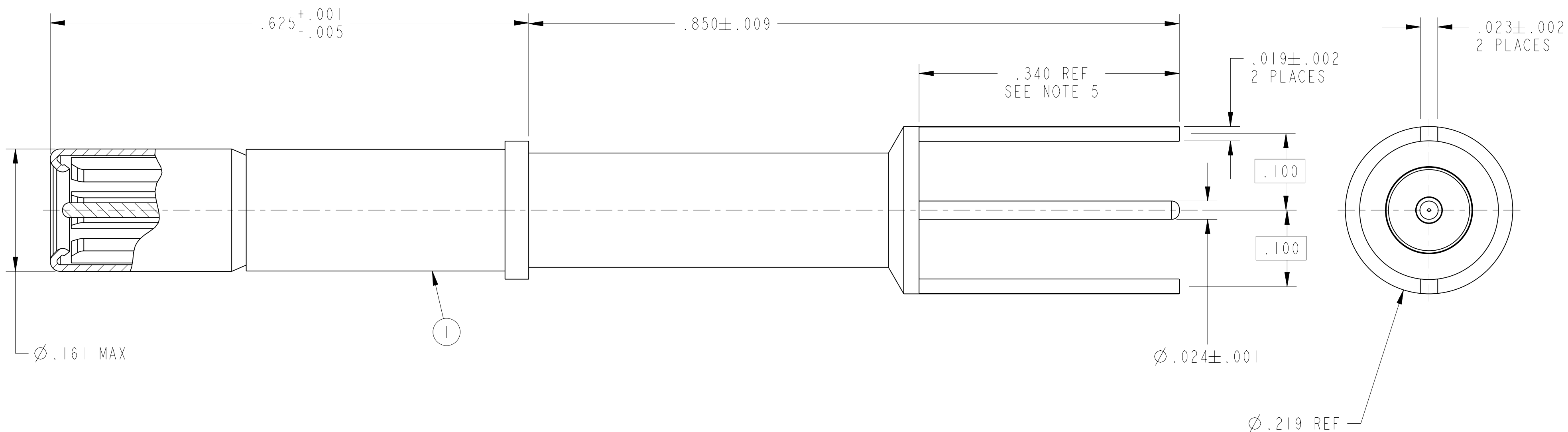
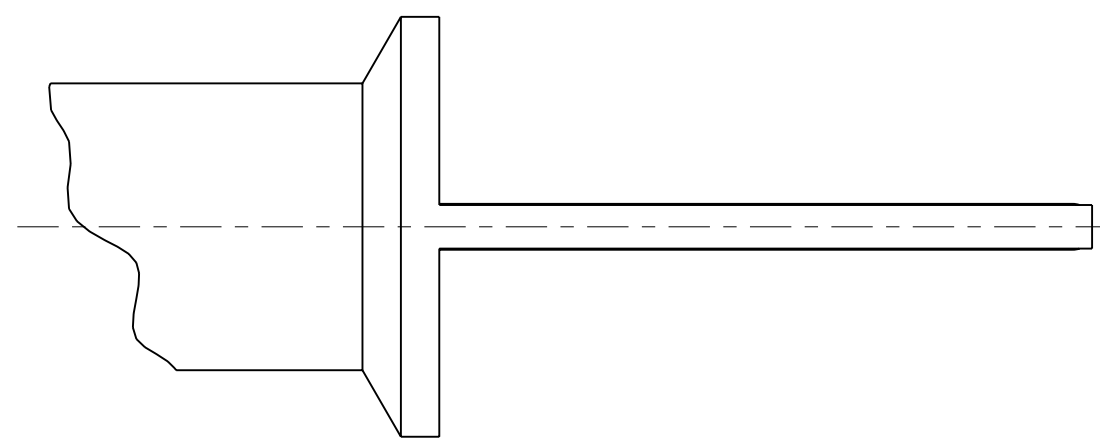


REV. A	SHEET 1 OF 1	DOCUMENT NO. 21-033440-001
REVISIONS		
LTR	DESCRIPTION	DATE
A	INITIAL RELEASE	



5. INDICATED AREA SHALL BE CAPABLE OF MEETING THE SOLDERABILITY REQUIREMENTS OF MIL-STD-202, METHOD 208.
4. ALL DIMENSIONS ARE AFTER PLATING.
3. MATERIALS: CONTACTS- BERYLLIUM COPPER PER ASTM B196, ALLOY C17300, TEMPER TD04  
INSULATORS- PTFE PER AMS 3651 OR EQUIVALENT
2. PACKAGE PER PRODUCTION PROCESS SHEET.
1. FINISH: GOLD PLATED PER MIL-G-45204 TYPE II, GRADE C, CLASS I  
OVER NICKEL PLATE PER QQ-N-290 (.000050 THICK MIN).

NOTES:

THE USE OF THIS DOCUMENT IS UNLIMITED. HOWEVER, DOCUMENTS REFERENCED HEREON MAY CONTAIN LIMITED RIGHTS DATA.

RELEASED / Sep . 21 2006, 09:43 AM

DOCUMENT NO. 21-033440-001 SHEET 1 OF 1 REV. A

N/A

NEXT ASSEMBLY

PRO/ENGINEER INFORMATION

Pro/e Model Used:

21-033440-001.ASSEM

Drawing Name:

21-033440-001

UNLESS OTHERWISE SPECIFIED

SPECIFICATIONS

LINER DIMENSIONS ARE IN INCHES

TOLERANCES:

.XXXX = ±.0005 ANGLES= ±2°

.XXX = ±.010

.XX = ±.03

.X = ±.1

DIM. & TOL. PER ASME Y14.5M;

DRM PER MIL-DTL-31000;

OTHER Amphenol Stds. PER 9-3800

LEGENDS:

=FLAG NOTE CALL OUT REFERENCE ONLY

SPECIFICATIONS

MATERIAL SPEC.

N/A

PROCESS SPEC.

N/A

I	I	21-033440-01M	CONTACT ASSEMBLY	
POS	QTY	PART NUMBER	DESCRIPTION	NOTE
PARTS LIST				
<b>AMPHENOL CORPORATION</b> 40-60 DELAWARE AVENUE SIDNEY, N.Y. 13858				
<b>SOCKET CONTACT ASSEMBLY,</b> <b>SIZE 12 COAX,</b> <b>TYPE TV PCB</b>				
APPROVALS	DATE			
PREPARED BY RATCHFORD	20-Jun-06			
ENGINEER IN CHARGE RATCHFORD				
DESIGN MANAGER H. JOHNSON				
DESIGN ACTIVITY GROUP MIL-AERO DEVELOP				
THIRD ANGLE PROJECTION				
SIZE C	CAGE CODE 77820	DOCUMENT NO. 21-033440-001	REV. A	
SCALE: 10.0	REF. 21-33686-5	SHEET 1 OF 1		

DOCUMENT NO. 21-033440-001  
 SHEET 1 OF 1  
 REV. A  
 RELEASE STATE Released  
 VERSION 4